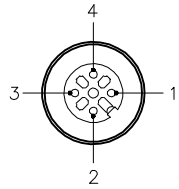


FEMALE END VIEW

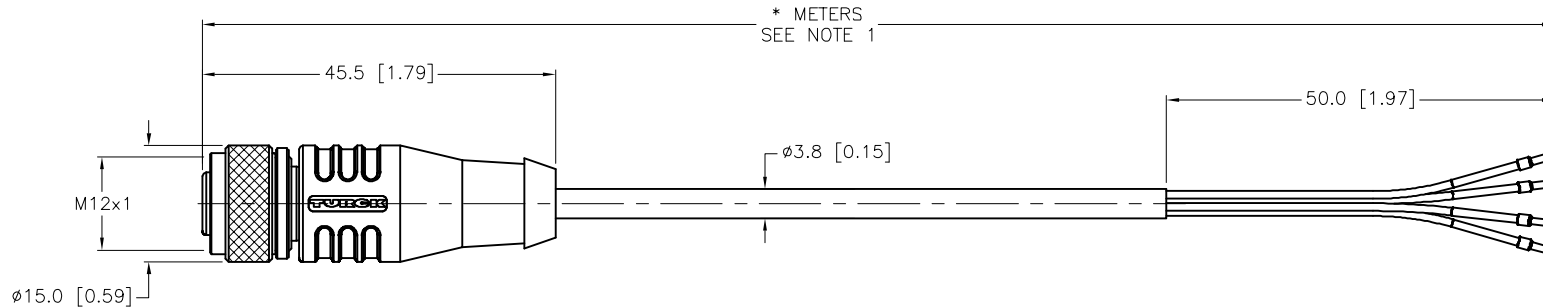


- 1 = BROWN
- 2 = WHITE
- 3 = BLUE
- 4 = BLACK



SPECIFICATIONS

CONTACT CARRIER MATERIAL/COLOR	POLYESTER/BLACK
MOLDED HEAD MATERIAL/COLOR	POLYESTER/BLACK
CONTACT MATERIAL/PLATING	BRASS/GOLD
COUPLING NUT MATERIAL/PLATING	BRASS/NICKEL
RATED CURRENT [A]	4.0 A
RATED VOLTAGE [V]	250 V
OUTER CABLE JACKET MATERIAL/COLOR	PTFE/WHITE
CONDUCTOR INSULATION MATERIAL	PTFE
NUMBER OF CONDUCTORS [AWG]	5x22 AWG
TEMPERATURE RANGE	-20°C to +150°C (-4°F to +302°F)
PROTECTION CLASS	IP65



CABLE LENGTH	TOLERANCE*
ALL LENGTHS	+ 4% (OR 50mm) OF LENGTH - 0% (OR 0mm) OF LENGTH WHICHEVER IS GREATER
STRIP LENGTH	TOLERANCE*
0-7mm	±0.5mm
8-29mm	±1.0mm
30-49mm	±2.0mm
50-69mm	±3.0mm
70-100mm	±4.0mm
OVER 100mm	±5.0mm

***UNLESS OTHERWISE SPECIFIED**

NOTES:

- "*" INDICATES CABLE LENGTH IN METERS. CONTACT TURCK TO ORDER SPECIFIC LENGTHS.
- CONDUCTORS ARE STRIPPED AND CRIMPED WITH NON-INSULATING FERRULES, INSTEAD OF TINNING.
- GREY CONDUCTOR IS NOT CONNECTED AND TRIMMED BACK TO CABLE JACKET.
- "/S849" DESIGNATES 22AWG CONDUCTORS.

SOURCE DRAWING - FOR REFERENCE ONLY

RELATED DOCUMENTS		3RD ANGLE PROJECTION		THIS DRAWING IS CONFIDENTIAL AND THE PROPERTY OF TURCK INC. USE OF THIS DOCUMENT WITHOUT WRITTEN PERMISSION IS PROHIBITED.		3000 CAMPUS DRIVE MINNEAPOLIS, MN 55441 1-800-544-7769 (763) 553-7300 (763) 553-0708 fax www.turck.us	
1.			ALL DIMENSIONS DISPLAYED ON THIS DRAWING ARE FOR REFERENCE ONLY	DRFT	RDS	DATE 12/16/08	DESCRIPTION HT-RKC 4.4T-*/S849
2.				APVD		SCALE 1=1.0	
3.		MATERIAL SEE SPECIFICATIONS		UNIT OF MEASUREMENT MILLIMETER [INCH]		IDENTIFICATION NO.	
4.		FINISH SEE SPECIFICATIONS		CONTACT TURCK FOR MORE INFORMATION		REV A	
DO NOT SCALE THIS DRAWING				FILE: 777023381		SHEET 1 OF 1	

A	DRAWING RELEASE	RDS	01/15/09	
REV	DESCRIPTION	BY	DATE	ECO NO.