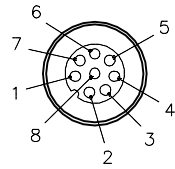
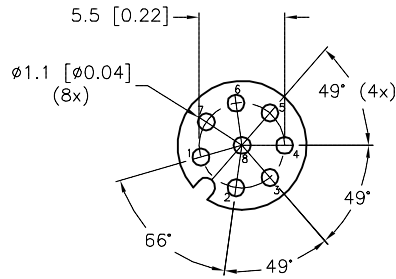


MALE END VIEW



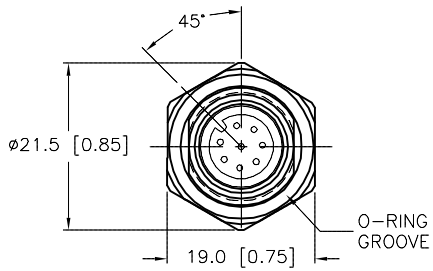
- 1 = WHITE/BLUE
- 2 = WHITE/BROWN
- 3 = BROWN
- 4 = ORANGE (-TX)
- 5 = WHITE/GREEN (+RX)
- 6 = WHITE/ORANGE (+TX)
- 7 = BLUE
- 8 = GREEN (-RX)



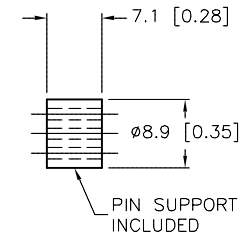
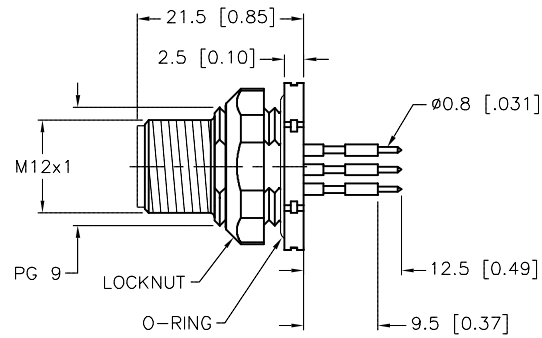
BOARD LAYOUT (2=1 SCALE)

SPECIFICATIONS

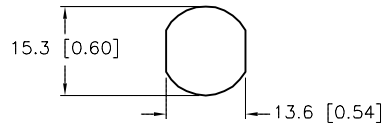
CONTACT CARRIER MATERIAL	NYLON OR TPU
CONTACT MATERIAL/PLATING	BRASS/GOLD
HOUSING/LOCKNUT MATERIAL/PLATING	BRASS/NICKEL
O-RING MATERIAL	NITRILE
RATED CURRENT [A]	1.5 A
RATED VOLTAGE [V]	60 VAC/75 VDC
NUMBER OF CONDUCTORS [AWG]	PRINTED CIRCUIT PINS
TEMPERATURE RATING	-40°C TO +90°C (-40°F TO +194°F)
PROTECTION CLASS	MEETS NEMA 1,3,4,6P AND IEC IP68
MAX. PANEL THICKNESS	3.0 [0.12]



END VIEW  
LOCKNUT NOT SHOWN



PIN SUPPORT INCLUDED



TYPICAL PANEL CUTOUT

RELATED DOCUMENTS		3RD ANGLE PROJECTION		THIS DRAWING IS CONFIDENTIAL AND THE PROPERTY OF TURCK INC. USE OF THIS DOCUMENT WITHOUT WRITTEN PERMISSION IS PROHIBITED.		<b>TURCK INC</b> High Technology Sensors and Automation Controls 3000 CAMPUS DRIVE MINNEAPOLIS, MN 55441 1-800-544-7769 (763) 553-7300 (763) 553-0708 fax turck.com				
1.	2.	3.	4.		DRFT	RDS	DATE	01/03/02	DESCRIPTION	FSFD 84-PCB
MATERIAL					APVD		SCALE	1=1.0		
SEE SPECIFICATIONS				ALL DIMENSIONS DISPLAYED ON THIS DRAWING ARE FOR REFERENCE ONLY  CONTACT TURCK FOR MORE INFORMATION	UNIT OF MEASUREMENT			IDENTIFICATION NO.	REV	
FINISH					MILLIMETER [ INCH ]					U8610
SEE SPECIFICATIONS				DO NOT SCALE THIS DRAWING			FILE: U8610		SHEET 1 OF 1	

G	UPDATE ORIENTATION	NF	01/15/16	53091
REV	DESCRIPTION	BY	DATE	ECO NO.