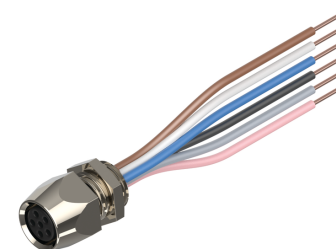
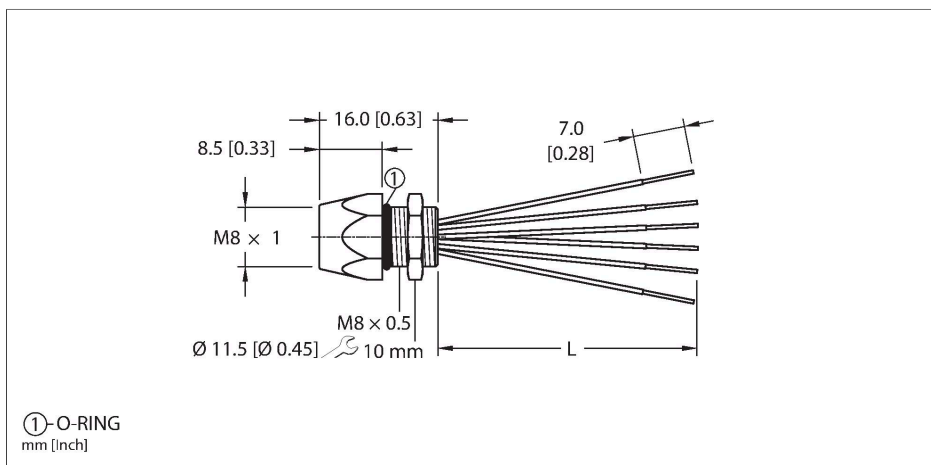


MFKS 6-1

Actuator and Sensor Receptacle – Front Mount



Features



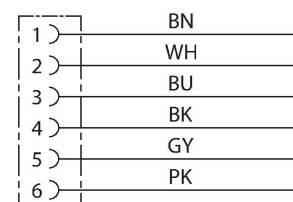
- Female M8 picofast Receptacle
- M8, Female, 6-pin
- Mounting thread: M8 × 0.5

Contact assignment

Connector A



Circuit Diagram



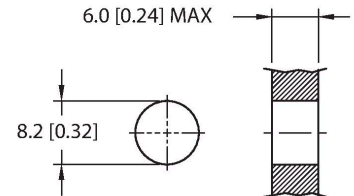
Technical data

Type	MFKS 6-1
ID	U0919-56
Connector A	Female, M8 × 1
Design specification	Acc. to IEC 61076-2-104
Number of contacts	6
Contacts	Brass, CuZn, Gold-plated
Contact carriers	Plastic, TPU, Black
Connector seal	O-ring, Plastic, FKM/FPM
Housing material/finish	Brass, CuZn, Nickel-plated
Tightening torque (range)	0.4 ... 0.8 Nm (note max. torque of mating connector!)
Mounting orientation	Front mount
Panel seal	O-ring, plastic, NBR
Mounting thread	M8 × 0.5
Locknut	Brass, CuZn, Nickel-plated
Receptacle mounting torque	1.4...5.4 Nm
Mechanical life	> 100 Mating cycles
Pollution degree	3
Protection class (When coupled)	IP67
	NEMA: 1, 3, 4
Design specification	Acc. to IEC 61076-2-104
Cable data	
Total number of conductors	6
Length (L)	1 m, (+50mm or 4% of length/-0.0, Whichever is greater)

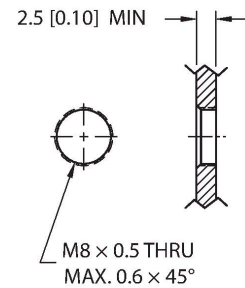
Technical data

Conductor material	TC (tinned copper)
Conductor insulation material	PVC
Conductor size	6 x 24 AWG [Similar to 0.25 mm ²]
Conductor colors	BN, WH, BU, BK, GY, PK
Electrical properties at +20 °C	
Rated voltage	125 VAC/DC
Current	2 A
Mechanical and chemical properties	
Ambient temperature range (static)	-30 °C...+105 °C
Approvals	UL 2238 CSA C22.2 No. 182.3 CE UKCA RoHS
Note	
- We reserve the right to make technical alterations without prior notice.	

Mounting hole - Through



Mounting hole - Threaded



Front panel mounting

