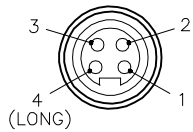
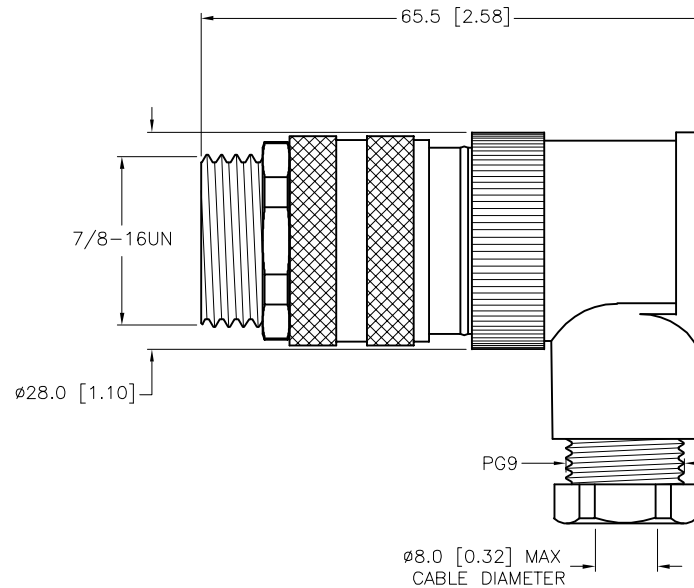
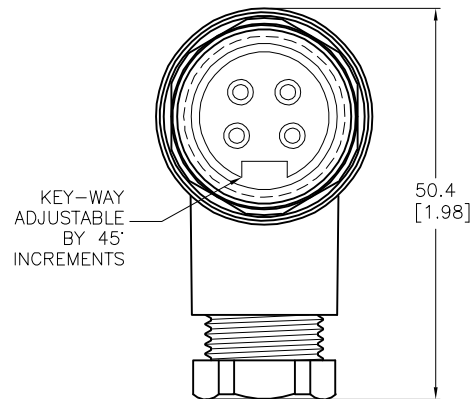


MALE END VIEW



SPECIFICATIONS

HOUSING MATERIAL/COLOR	NYLON or PBT/BLACK
CONTACT MATERIAL/PLATING	BRASS/GOLD
COUPLING NUT MATERIAL/PLATING	DIECAST ZINC/NICKEL
RATED CURRENT [A]	9.0 A
RATED VOLTAGE [V]	600 V
MAXIMUM WIRE SIZE	16 AWG
TERMINATION METHOD	SCREW TERMINAL
CABLE GRIP RANGE	PG9 = 6-8mm
TEMPERATURE RATING	-25°C to +85°C (-13°F to +185°F)
PROTECTION CLASS	IP67



SOURCE DRAWING - FOR REFERENCE ONLY

FIELD WIREABLE MINIFAST RIGHT-ANGLE CONNECTOR

RELATED DOCUMENTS		3RD ANGLE PROJECTION		THIS DRAWING IS CONFIDENTIAL AND THE PROPERTY OF TURCK INC. USE OF THIS DOCUMENT WITHOUT WRITTEN PERMISSION IS PROHIBITED.		<p>3000 CAMPUS DRIVE MINNEAPOLIS, MN 55441 1-800-544-7769 (763) 553-7300 (763) 553-0708 fax www.turck.us</p>				
1.	2.	3.	4.		DRFT	JB	DATE	07/17/00	DESCRIPTION	BS 4241-0/9
SEE SPECIFICATIONS					APVD		SCALE	1=1.0		
MATERIAL				ALL DIMENSIONS DISPLAYED ON THIS DRAWING ARE FOR REFERENCE ONLY	UNIT OF MEASUREMENT			IDENTIFICATION NO.	REV	
SEE SPECIFICATIONS					MILLIMETER [ INCH ]					U6419-00
FINISH				CONTACT TURCK FOR MORE INFORMATION	DO NOT SCALE THIS DRAWING			FILE: U6419-00	SHEET 1 OF 1	

C	ADD LONG PIN	NF	01/14/16	53066
REV	DESCRIPTION	BY	DATE	ECO NO.