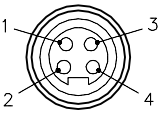
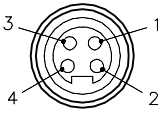
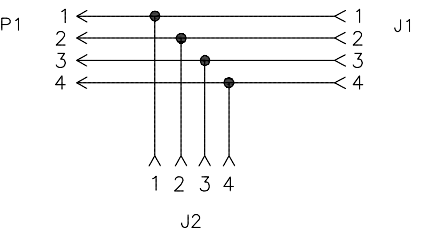
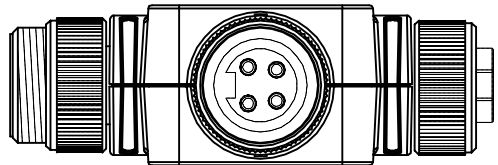
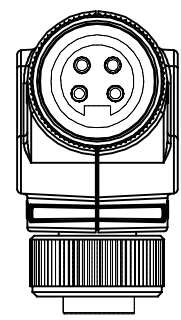
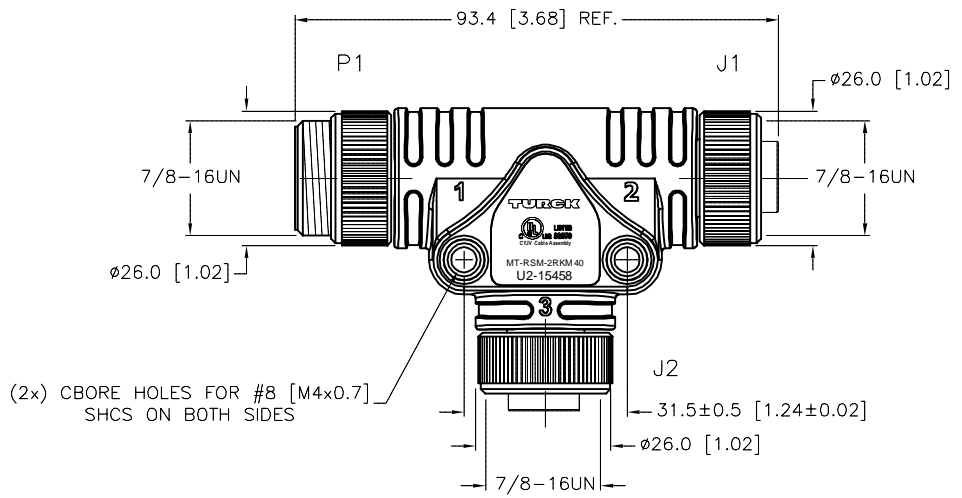
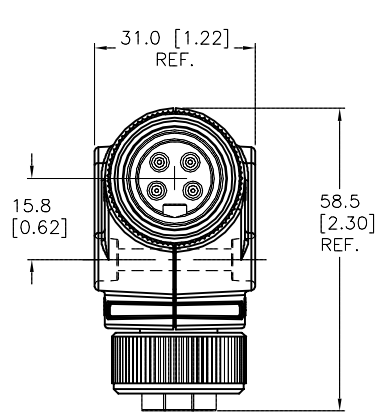
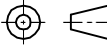


MALE END VIEW (P1)	FEMALE END VIEW (J1-J2)	WIRING DIAGRAM	SPECIFICATIONS	
			CONTACT CARRIER MATERIAL/COLOR	TPU/BLACK
			MOLDED BODY MATERIAL/COLOR	NYLON/BLACK
			CONTACT MATERIAL/PLATING	BRASS/GOLD
			COUPLING NUT MATERIAL/PLATING	BRASS/NICKEL
			RATED CURRENT [A]	10.0 A
			RATED VOLTAGE [V]	600 V
			TEMPERATURE RANGE	-40°C TO +105°C (-40°F TO +221°F)
			PROTECTION CLASS	MEETS NEMA 1,3,4,6P AND IEC IP67



SOURCE DRAWING - FOR REFERENCE ONLY

RELATED DOCUMENTS 1. 2. 3. 4.	3RD ANGLE PROJECTION 	THIS DRAWING IS CONFIDENTIAL AND THE PROPERTY OF TURCK INC. USE OF THIS DOCUMENT WITHOUT WRITTEN PERMISSION IS PROHIBITED.	3000 CAMPUS DRIVE MINNEAPOLIS, MN 55441 1-800-544-7769 (763) 553-7300 (763) 553-0708 fax www.turck.us	
MATERIAL  SEE SPECIFICATIONS	ALL DIMENSIONS DISPLAYED ON THIS DRAWING ARE FOR REFERENCE ONLY	DRFT RDS DATE 05/06/09 APVD SCALE 1=1.5	DESCRIPTION MT-RSM-2RKM 40	
FINISH  SEE SPECIFICATIONS	CONTACT TURCK FOR MORE INFORMATION	UNIT OF MEASUREMENT <b>MILLIMETERS</b> DO NOT SCALE THIS DRAWING		IDENTIFICATION NO. U2-15458 REV E FILE: U2-15458 SHEET 1 OF 1

E UPDATE UL APPROVAL LOGO	RDS 05/30/19	75040
REV DESCRIPTION	BY DATE	ECO NO.