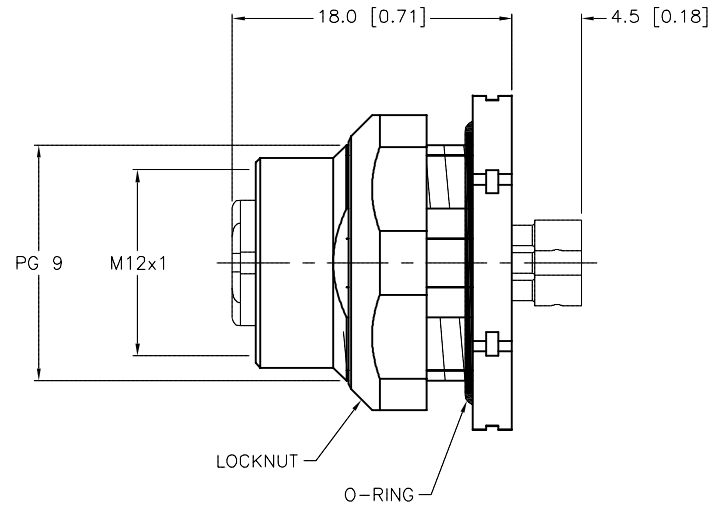
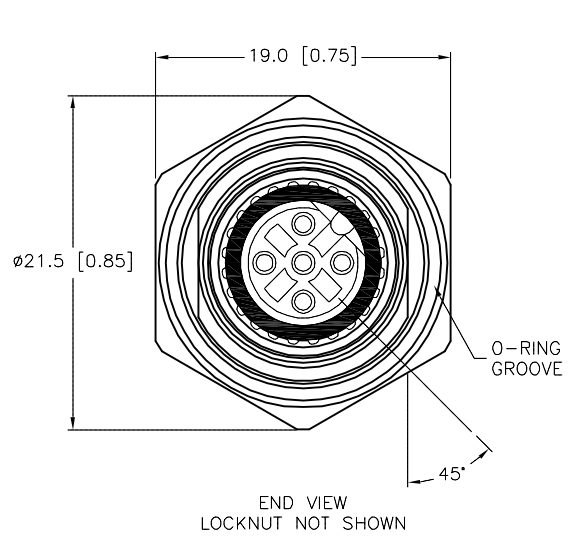


SPECIFICATIONS	
CONTACT CARRIER MATERIAL/COLOR	NYLON OR TPU/BLUE
CONTACT MATERIAL/PLATING	BRASS/GOLD
HOUSING, LOCKNUT/PLATING	BRASS/NICKEL
RATED CURRENT [A]	2.0 A
RATED VOLTAGE [V]	60VAC/75VDC
NUMBER OF CONDUCTORS [AWG]	SOLDER CUPS
TEMPERATURE RANGE	-40°C to +105°C (-40°F to +221°F)
PROTECTION CLASS	MEETS NEMA 1,3,4,6P AND IEC IP68
MAX. PANEL THICKNESS	3.0 [0.12]



SOURCE DRAWING - FOR REFERENCE ONLY

RELATED DOCUMENTS		3RD ANGLE PROJECTION		THIS DRAWING IS CONFIDENTIAL AND THE PROPERTY OF TURCK INC. USE OF THIS DOCUMENT WITHOUT WRITTEN PERMISSION IS PROHIBITED.		TURCK INC High Technology Sensors and Automation Controls 3000 CAMPUS DRIVE MINNEAPOLIS, MN 55441 1-800-544-7769 (763) 553-7300 (763) 553-0708 fax turck.com	
1. 2. 3. 4.				DRFT	RDS	DATE	08/30/02
MATERIAL		ALL DIMENSIONS DISPLAYED ON THIS DRAWING ARE FOR REFERENCE ONLY		DSGN		SCALE	1 = .5
SEE SPECIFICATIONS		CONTACT TURCK FOR MORE INFORMATION		UNIT OF MEASUREMENT		DESCRIPTION	
FINISH				MILLIMETER [INCH]		FKFDL 57	
SEE SPECIFICATIONS				DO NOT SCALE THIS DRAWING		IDENTIFICATION NO.	REV
						U8810	C
C	DRAWING PROCESSED AS PART OF ECO 33971	CBM	04/07/11	33971	FILE: U8810		SHEET 1 OF 1
REV	DESCRIPTION	BY	DATE	ECO NO.			