



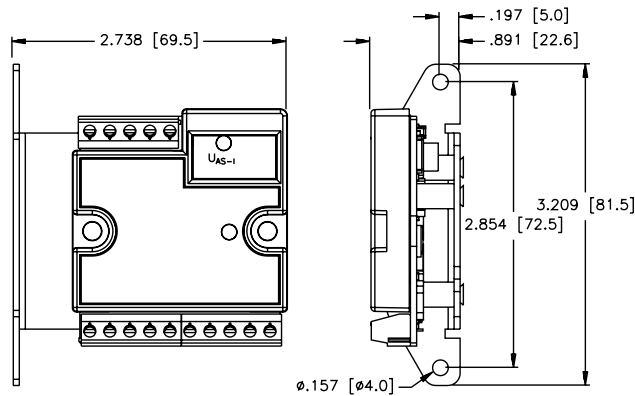
This module provides one connector with four PNP inputs and three PNP outputs for connection to AS-interface\*. The wiring is simple screw terminals to support multiple I/O configurations.

The node address can be set using an AS-i handheld addressing tool or via software through the AS-i master.

This station supports extended address mode 1-31 A/B (V2.1, 3.0).

A short-circuit on any I/O point is indicated by a fault signal per the AS-i v3.0 specification. All inputs and outputs are powered from the AS-i line.

**Dimensions:**



**Integrated Design:**

- AS-interface\* station
- Four input and three outputs

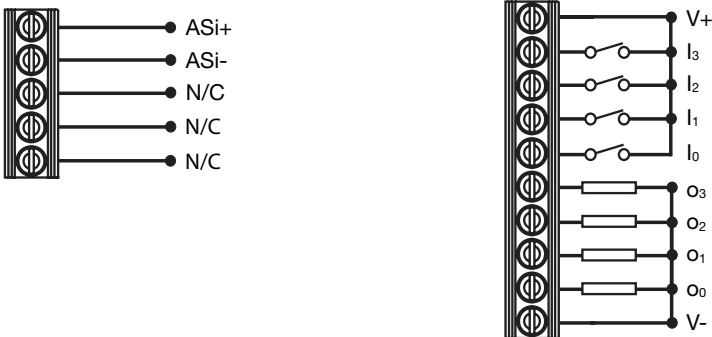
**Applications:**

- For dry environments
- For use with four 2-wire or 3-wire discrete sensors

**Features:**

- PNP short-circuit protected inputs
- Short-circuit protected outputs
- Glass filled nylon with nickel plated brass connectors

**Terminal Wiring:**



**Module Specifications:**

**Electrical**

Operating Voltage	18–31 Volts (from AS-i Network)
Internal Current Consumption	30 mA

**Input Circuits** (4) PNP 3-wire sensors or dry contacts

Input/Output Short-Circuit ( $I_{max}$ )	130 mA (from AS-i power line)
Input Signal State	Off < 2mA On = 3.0–3.4 mA
Input Delay	2.5 ms

**Output Circuits**

Output Current	Up to 130 mA shared (from AS-i power line)
----------------	--

**LED Indications**

AS-i Network LED	Off = Off Green = Ok Red/Green = Fault
------------------	--

**Connections**

AS-interface®	5-pin screw terminals Screw terminal torque = 0.5 Nm max.
---------------	--

**Device Address**

Address Adjustment	1–31 A/B extended address mode (V2.1, 3.0)
--------------------	--

**Mechanical**

Material	Nylon
Operating Temperature	-13° to +158°F (-25° to +70°C)
Protection	IP20 Pollution degree 2 environment

**Data and Parameter Bit:**

<b>I/O Data</b>	D <sub>3</sub>	D <sub>2</sub>	D <sub>1</sub>	D <sub>0</sub>	<b>IO Code 7 ID Code A ID2 Code E</b>
	O <sub>3</sub>	O <sub>2</sub>	O <sub>1</sub>	O <sub>0</sub>	
	I <sub>3</sub>	I <sub>2</sub>	I <sub>1</sub>	I <sub>0</sub>	
<b>Parameter Group</b>	P <sub>3</sub>	P <sub>2</sub>	P <sub>1</sub>	P <sub>0</sub>	
	Not Used	Not Used	Not Used	IGS/OGS Enable	

Current parameter P0 represents IGS and OGS simultaneously.  
I/O faults are reported via the AS-i peripheral fault bit.