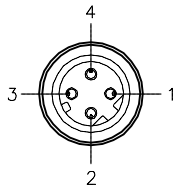
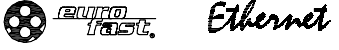
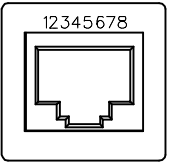

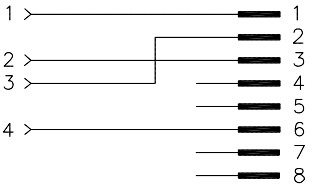
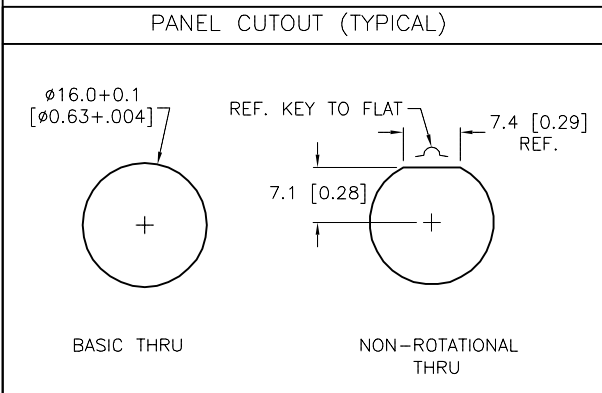
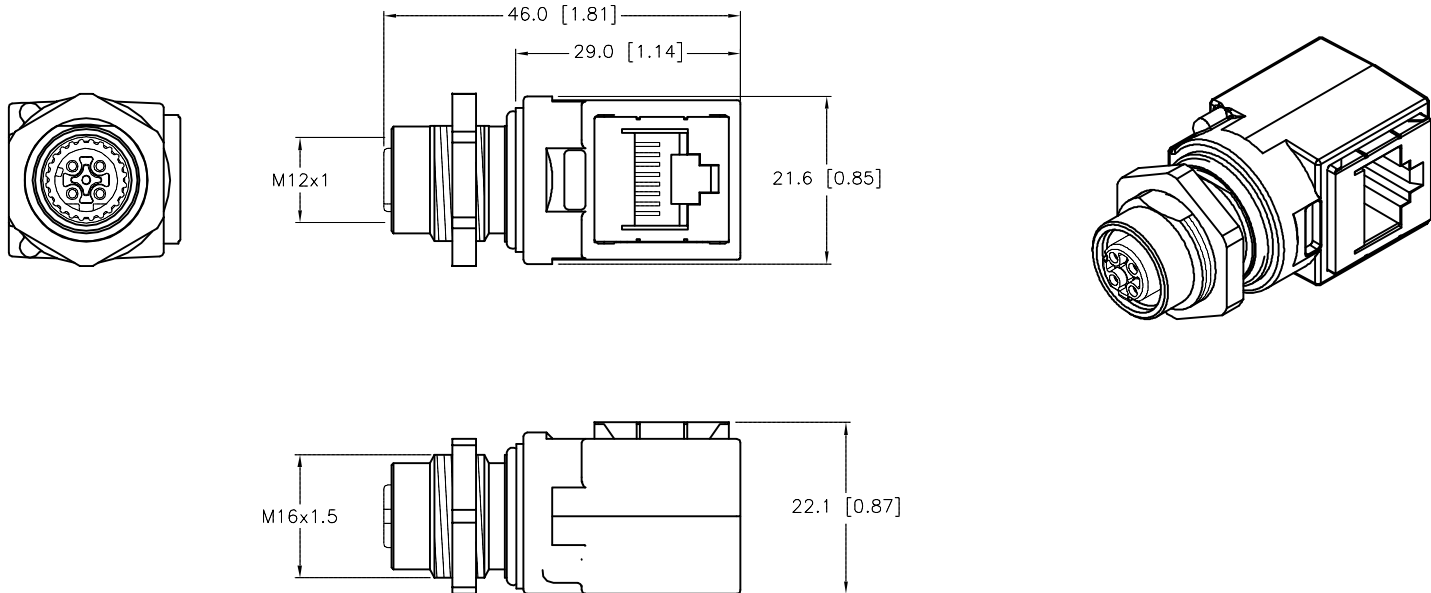
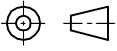


FEMALE END VIEW	RJ45SF END VIEW	WIRING DIAGRAM	SPECIFICATIONS	
 	 	<p>EUROFAST RJ45SF</p> 	<p>CONTACT MATERIAL/PLATING (RJ45SF) BRONZE/GOLD</p> <p>CONTACT CARRIER MATERIAL (FKSDD) NYLON OR TPU</p> <p>MOLDED HEAD MATERIAL/COLOR (FKSDD) TPU/BLACK</p> <p>CONTACT MATERIAL/PLATING (FKSDD) BRASS/GOLD</p> <p>COUPLING NUT MATERIAL/PLATING (FKSDD) BRASS/NICKEL</p> <p>RATED CURRENT [A] 0.2 A</p> <p>RATED VOLTAGE [V] 50 V</p> <p>PROTECTION CLASS MEETS IEC IP67 (IP20: RJ45)</p>	



SOURCE DRAWING - FOR REFERENCE ONLY

<p>RELATED DOCUMENTS</p> <ol style="list-style-type: none"> <li>1.</li> <li>2.</li> <li>3.</li> <li>4.</li> </ol>	<p>3RD ANGLE PROJECTION</p> 	<p>THIS DRAWING IS CONFIDENTIAL AND THE PROPERTY OF TURCK INC. USE OF THIS DOCUMENT WITHOUT WRITTEN PERMISSION IS PROHIBITED.</p>	<p>3000 CAMPUS DRIVE MINNEAPOLIS, MN 55441 1-800-544-7769 (763) 553-7300 (763) 553-0708 fax turck.com</p> <p><b>TURCK INC</b> High Technology Sensors and Automation Controls</p>	
<p>MATERIAL</p>	<p>ALL DIMENSIONS DISPLAYED ON THIS DRAWING ARE FOR REFERENCE ONLY</p>	<p>DRFT RDS      DATE 09/22/05</p> <p>APVD              SCALE 1=1.0</p>	<p>DESCRIPTION FKSDD RJ45SF 44</p>	
<p>FINISH</p>	<p>CONTACT TURCK FOR MORE INFORMATION</p>	<p>UNIT OF MEASUREMENT <b>MILLIMETER [ INCH ]</b></p> <p>IDENTIFICATION NO. U3-00647      REV G</p> <p>DO NOT SCALE THIS DRAWING      FILE: U3-00647      SHEET 1 OF 1</p>		

G	UPDATE RATED CURRENT & VOLTAGE	KMY	04/02/13	41779
REV	DESCRIPTION	BY	DATE	ECO NO.