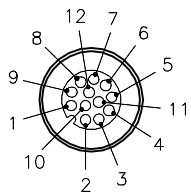
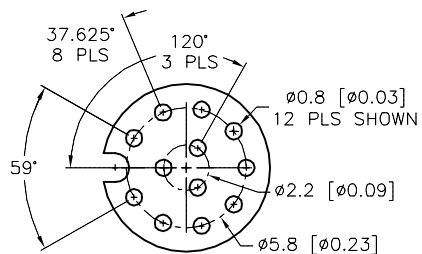


MALE END VIEW

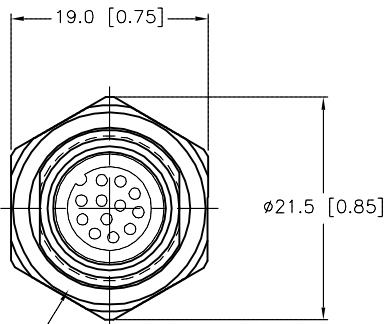
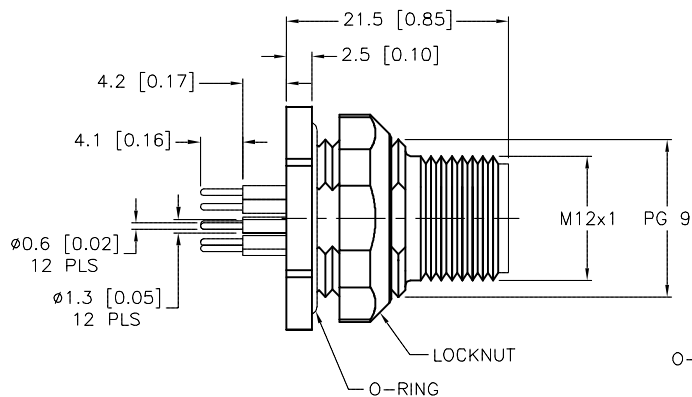


BOARD LAYOUT (2:1)

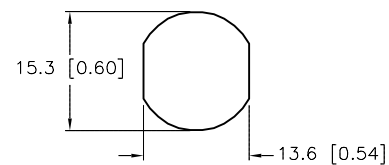


SPECIFICATIONS

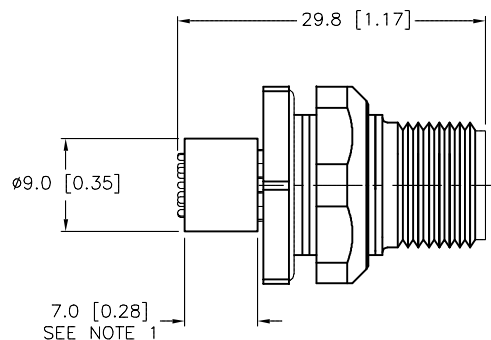
CONTACT CARRIER MATERIAL	NYLON OR TPU
CONTACT MATERIAL/PLATING	BRASS/GOLD
HOUSING/LOCKNUT MATERIAL/PLATING	BRASS/NICKEL
RATED CURRENT [A]	2.0 A
RATED VOLTAGE [V]	60 VAC/75 VDC
CONDUCTORS	PCB PINS
TEMPERATURE RATING	-30°C to +105°C (-22°F to +221°F)
PROTECTION CLASS	MEETS NEMA 1,3,4,6P AND IEC IP68
MAX. PANEL THICKNESS	3.0 [0.12]



END VIEW
LOCKNUT NOT SHOWN



MOUNTING HOLE



NOTES:

1. PIN SUPPORT IS FOR SHIPPING ONLY.

SOURCE DRAWING - FOR REFERENCE ONLY

RELATED DOCUMENTS 1. 2. 3. 4.	3RD ANGLE PROJECTION 	THIS DRAWING IS CONFIDENTIAL AND THE PROPERTY OF TURCK INC. USE OF THIS DOCUMENT WITHOUT WRITTEN PERMISSION IS PROHIBITED.		TURCK IAC High Technology Sensors and Automation Controls 3000 CAMPUS DRIVE MINNEAPOLIS, MN 55441 1-800-544-7769 (763) 553-7300 (763) 553-0708 fax turck.com	
	MATERIAL SEE SPECIFICATIONS	DRFT RWC APVD	DATE 08/11/05 SCALE 1=.75	DESCRIPTION FSFDK 12-PCB	
FINISH SEE SPECIFICATIONS	UNIT OF MEASUREMENT MILLIMETER [INCH]	CONTACT TURCK FOR MORE INFORMATION		IDENTIFICATION NO. U2-05778	REV D
D DRAWING PROCESSED AS PART OF ECO 33971 REV DESCRIPTION		CBM 04/07/11 BY DATE ECO NO.	DO NOT SCALE THIS DRAWING		FILE: U2-05778 SHEET 1 OF 1