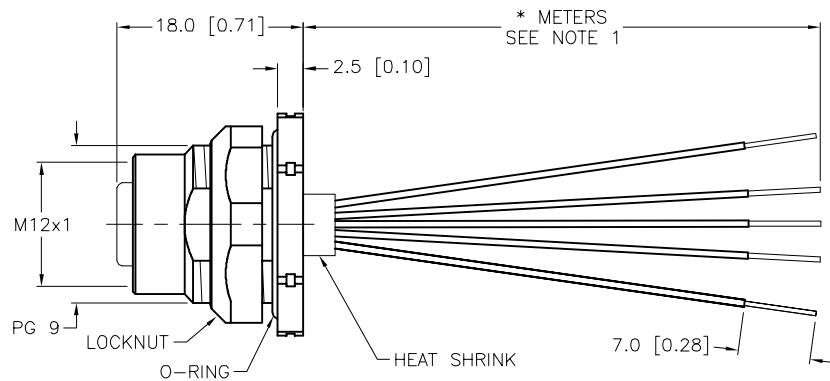
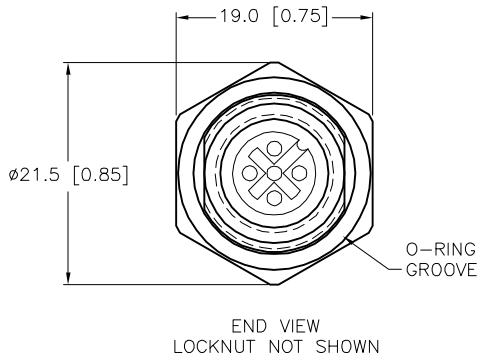


| SPECIFICATIONS | |
|-----------------------------------|-----------------------------------|
| CONTACT CARRIER MATERIAL | NYLON OR TPU |
| CONTACT MATERIAL/PLATING | BRASS/GOLD |
| HOUSING, LOCKNUT MATERIAL/PLATING | BRASS/NICKEL |
| O-RING MATERIAL | NITRILE |
| RATED CURRENT [A] | 4.0 A |
| RATED VOLTAGE [V] | 250 V |
| CONDUCTOR INSULATION MATERIAL | PVC |
| NUMBER OF CONDUCTORS [AWG] | 5x18 AWG |
| TEMPERATURE RANGE | -40°C to +105°C (-40°F to +221°F) |
| PROTECTION CLASS | MEETS NEMA 1,3,4,6P AND IEC IP68 |
| MAX. PANEL THICKNESS | 3.0 [0.12] |



| CABLE LENGTH | TOLERANCE* |
|--------------|---|
| ALL LENGTHS | + 4% (OR 50mm) OF LENGTH - 0% (OR 0mm) OF LENGTH WHICHEVER IS GREATER |
| STRIP LENGTH | TOLERANCE* |
| 0-7mm | ±0.5mm |
| 8-29mm | ±1.0mm |
| 30-49mm | ±2.0mm |
| 50-69mm | ±3.0mm |
| 70-100mm | ±4.0mm |
| OVER 100mm | ±5.0mm |

* UNLESS OTHERWISE SPECIFIED

- NOTES:
- "*" INDICATES LEAD LENGTH IN METERS. CONTACT TURCK TO ORDER SPECIFIC LENGTHS.
 - "/S613" DESIGNATES 18 AWG CONDUCTORS.

SOURCE DRAWING - FOR REFERENCE ONLY

| | | | | | | | |
|--------------------------------|--|---|--|--|--|--|--|
| RELATED DOCUMENTS | | 3RD ANGLE PROJECTION | | THIS DRAWING IS CONFIDENTIAL AND THE PROPERTY OF TURCK INC. USE OF THIS DOCUMENT WITHOUT WRITTEN PERMISSION IS PROHIBITED. | | 3000 CAMPUS DRIVE MINNEAPOLIS, MN 55441 1-800-544-7769 (763) 553-7300 (763) 553-0708 fax www.turck.us | |
| 1. 2. 3. 4. | | | | DRFT RDS DATE 09/04/12 | | DESCRIPTION FKFD 4.5-*/S613 | |
| MATERIAL SEE SPECIFICATIONS | | ALL DIMENSIONS DISPLAYED ON THIS DRAWING ARE FOR REFERENCE ONLY | | APVD A.A. SCALE 1=.8 | | IDENTIFICATION NO. | |
| FINISH SEE SPECIFICATIONS | | CONTACT TURCK FOR MORE INFORMATION | | UNIT OF MEASUREMENT MILLIMETER [INCH] | | REV A | |
| A DRAWING RELEASE | | RDS 09/06/12 | | DO NOT SCALE THIS DRAWING | | FILE: 777015479 | |
| REV DESCRIPTION | | BY DATE ECO NO. | | | | SHEET 1 OF 1 | |