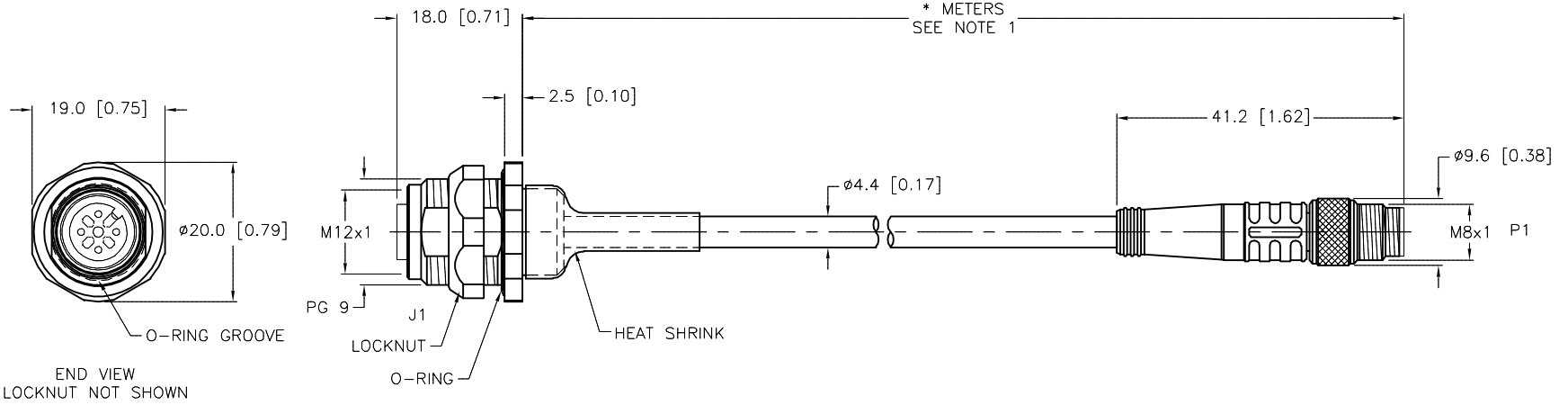


**SPECIFICATIONS**

CONTACT CARRIER MATERIAL	NYLON OR TPU
MOLDED HEAD MATERIAL/COLOR (P1)	TPU/YELLOW
CONTACT MATERIAL/PLATING	BRASS/GOLD
HOUSING, LOCK NUT MAT'L/FINISH (J1)	STAINLESS STEEL/PASSIVATED
COUPLING NUT MATERIAL/PLATING (P1)	BRASS/NICKEL
RATED CURRENT [A]	4.0 A
RATED VOLTAGE [V]	125 VAC/VDC
OUTER JACKET MATERIAL/COLOR	PVC/YELLOW
CONDUCTOR INSULATION MATERIAL	PVC
NUMBER OF CONDUCTORS [AWG]	3x24 AWG
TEMPERATURE RANGE	-40°C to +80°C (-40°F to +176°F)
PROTECTION CLASS	MEETS NEMA 1,3,4,6P AND IEC IP67
MAX. PANEL THICKNESS	3.0 [.12]



CABLE LENGTH	TOLERANCE*
ALL LENGTHS	+ 4% (OR 50mm) OF LENGTH - 0% (OR 0mm) OF LENGTH WHICHEVER IS GREATER
STRIP LENGTH	TOLERANCE*
0-7mm	$\pm 0.5\text{mm}$
8-29mm	$\pm 1.0\text{mm}$
30-49mm	$\pm 2.0\text{mm}$
50-69mm	$\pm 3.0\text{mm}$
70-100mm	$\pm 4.0\text{mm}$
OVER 100mm	$\pm 5.0\text{mm}$

\* UNLESS OTHERWISE SPECIFIED

SOURCE DRAWING - FOR REFERENCE ONLY

NOTES:  
1. "\*" INDICATES LEAD LENGTH IN METERS. CONTACT TURCK TO ORDER SPECIFIC LENGTHS.

RELATED DOCUMENTS 1. 2. 3. 4.	3RD ANGLE PROJECTION 	THIS DRAWING IS CONFIDENTIAL AND THE PROPERTY OF TURCK INC. USE OF THIS DOCUMENT WITHOUT WRITTEN PERMISSION IS PROHIBITED.	3000 CAMPUS DRIVE MINNEAPOLIS, MN 55441 1-800-544-7769 (763) 553-7300 (763) 553-0708 fax www.turck.us
MATERIAL SEE SPECIFICATIONS	ALL DIMENSIONS DISPLAYED ON THIS DRAWING ARE FOR REFERENCE ONLY	DRFT RDS APVD T.V.	DATE 04/18/07 SCALE 1=1.0
FINISH SEE SPECIFICATIONS	CONTACT TURCK FOR MORE INFORMATION	UNIT OF MEASUREMENT <b>MILLIMETER [ INCH ]</b>	DESCRIPTION FKFDV 4.4-*--PSG 3M
E UPDATE HOUSING REV DESCRIPTION	NF 02/03/16 BY DATE ECO NO.	DO NOT SCALE THIS DRAWING	IDENTIFICATION NO. REV E