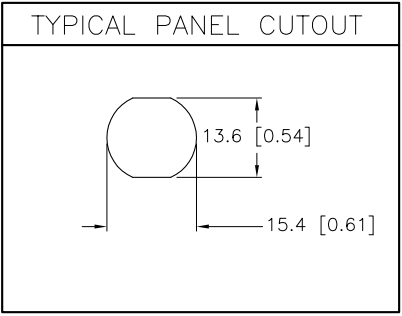
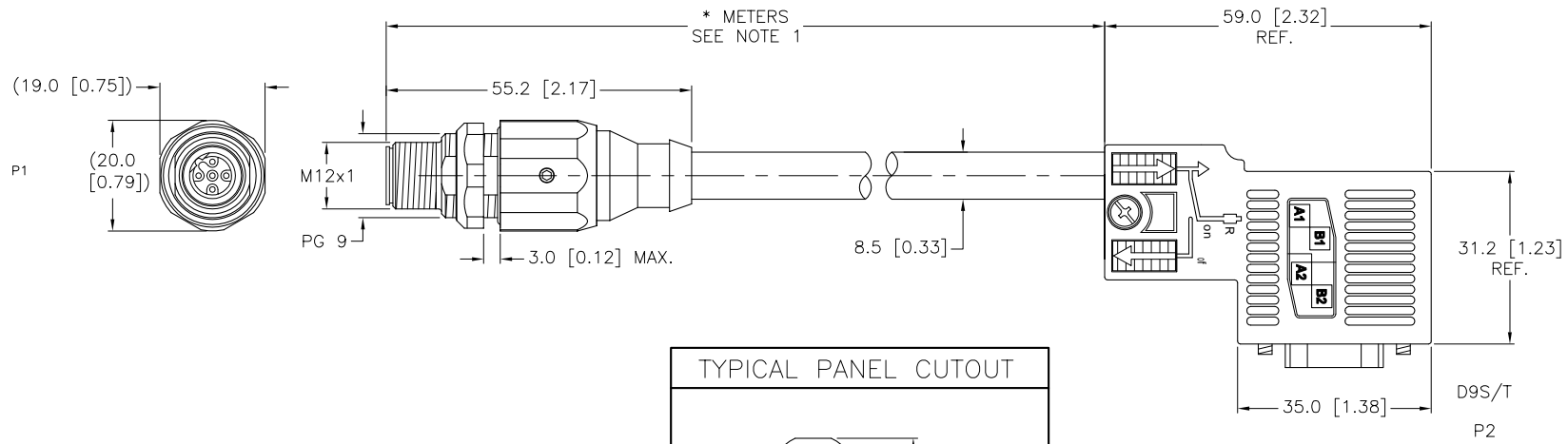


SPECIFICATIONS	
CONTACT CARRIER MATERIAL/COLOR (P1)	NYLON or TPU/BLACK
MOLDED HEAD MATERIAL/COLOR (P1)	TPU/BLACK
CONTACT MATERIAL/PLATING (P1)	BRASS/GOLD
COUPLING NUT MATERIAL/PLATING (P1)	BRASS/NICKEL
HOUSING MATERIAL/COLOR (P2)	NYLON/BLACK
OUTER JACKET MATERIAL/COLOR	PVC/VIOLET
CONDUCTOR INSULATION MATERIAL	POLYETHYLENE
NUMBER OF CONDUCTORS [AWG]	2x22 AWG (SHIELDED DATA PAIR w/ 22 AWG DRAIN WIRE)
SHIELDING	ALUM. MYLAR PLUS TINNED COPPER BRAIDED
TEMPERATURE RANGE (D9S)	0°C to 60°C (32°F to 140°F)
PROTECTION CLASS	NEMA 1,3,4,6P AND IEC IP68 (IP20 (D9S))
INCLUDES PROFIBUS TERMINATING RESISTOR	YES
MAX. PANEL THICKNESS	3.0mm [0.12"]



CABLE LENGTH	TOLERANCE
ALL LENGTHS	+ 4% (OR 50mm) OF LENGTH - 0% (OR 0mm) OF LENGTH WHICHEVER IS GREATER
STRIP LENGTH	TOLERANCE
0-7mm	±0.5mm
8-29mm	±1.0mm
30-49mm	±2.0mm
50-69mm	±3.0mm
70-100mm	±4.0mm
OVER 100mm	±5.0mm

NOTES:
1. "*" INDICATES CABLE LENGTH IN METERS. CONTACT TURCK TO ORDER SPECIFIC LENGTHS.

SOURCE DRAWING - FOR REFERENCE ONLY

RELATED DOCUMENTS 1. 2. 3. 4.	3RD ANGLE PROJECTION 	THIS DRAWING IS PROPERTY OF TURCK INC. USE OF THIS DOCUMENT WITHOUT WRITTEN PERMISSION IS PROHIBITED.		TURCK INC High Technology Sensors and Automation Controls 3000 CAMPUS DRIVE MINNEAPOLIS, MN 55441 1-800-544-7769 (763) 553-7300 (763) 553-0708 fax turck.com	
		DRFT RDS DSGN	DATE 09/22/05 SCALE 1=1.3	DESCRIPTION FSSDWE D9S/T 455-*M	
MATERIAL FINISH	ALL DIMENSIONS DISPLAYED ON THIS DRAWING ARE FOR REFERENCE ONLY CONTACT TURCK FOR MORE INFORMATION	UNIT OF MEASUREMENT MILLIMETER [INCH]		IDENTIFICATION NO.	REV F
DO NOT SCALE THIS DRAWING		FILE: 777011768	SHEET 1 OF 1		

F	REMOVE RATED CURRENT AND VOLTAGE	CK	05/03/11	34896
REV	DESCRIPTION	BY	DATE	ECO NO.