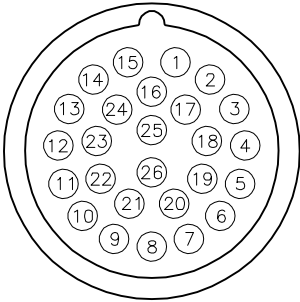


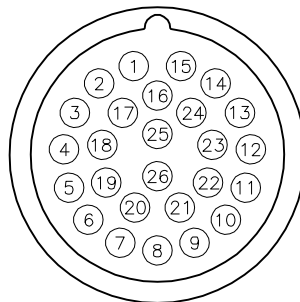
MALE END VIEW



- 1 = BROWN
- 2 = WHITE/GREY
- 3 = BLUE/GREY
- 4 = BROWN/GREY
- 5 = BLACK/YELLOW
- 6 = WHITE/YELLOW
- 7 = BLUE/YELLOW
- 8 = BROWN/YELLOW
- 9 = BLACK/RED
- 10 = WHITE/RED
- 11 = BLUE/RED
- 12 = BROWN/RED
- 13 = BLACK
- 14 = WHITE
- 15 = BLUE
- 16 = BLACK/GREY
- 17 = BROWN/ORANGE
- 18 = WHITE/ORANGE
- 19 = BLACK/ORANGE
- 20 = BLACK/GREEN
- 21 = WHITE/GREEN
- 22 = BLUE/GREEN
- 23 = BROWN/GREEN
- 24 = BLUE/ORANGE
- 25 = GREEN/YELLOW
- 26 = N/C

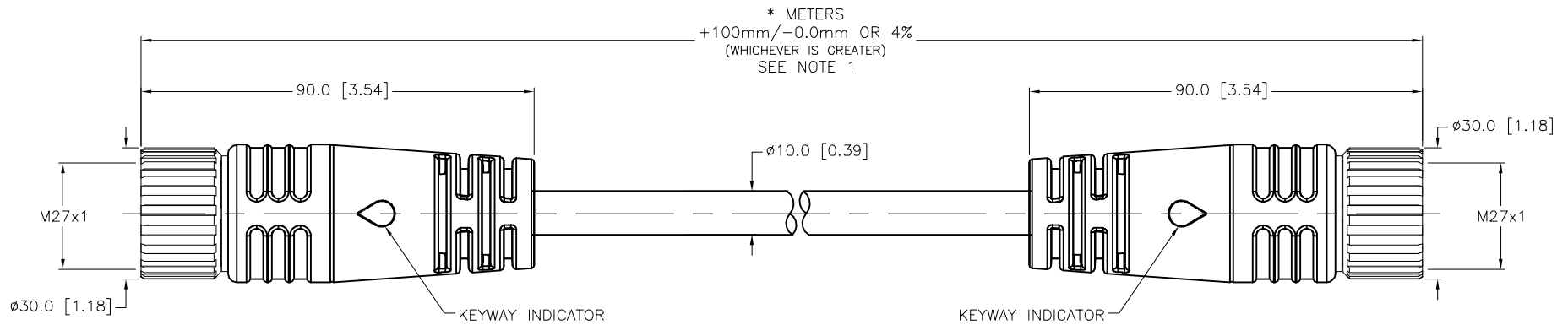
DRAIN/SHIELD

FEMALE END VIEW



SPECIFICATIONS

CONTACT CARRIER MATERIAL	NYLON or PBT
CONTACT MATERIAL/PLATING	BRASS/GOLD
CONNECTOR HOUSING MATERIAL/PLATING	BRASS/NICKEL
MOLDED HEAD MATERIAL/COLOR	TPU/BLACK
RATED CURRENT [A]	3.0 A
RATED VOLTAGE [V]	150 V
OUTER JACKET MATERIAL/COLOR	PVC/YELLOW
CONDUCTOR INSULATION MATERIAL	PVC
NUMBER OF CONDUCTORS [AWG]	25x22 AWG
DRAIN/SHIELD	22 AWG/ALUM.-POLYESTER FOIL
PROTECTION CLASS	IEC IP67
TEMPERATURE	-40°C TO +105°C (-40°F TO +221°F)



SOURCE DRAWING - FOR REFERENCE ONLY

NOTES:

1."*" DESIGNATES CABLE LENGTH IN METERS. CONTACT TURCK TO ORDER SPECIFIC LENGTHS.

RELATED DOCUMENTS 1. 2. 3. 4.	3RD ANGLE PROJECTION 	THIS DRAWING IS CONFIDENTIAL AND THE PROPERTY OF TURCK INC. USE OF THIS DOCUMENT WITHOUT WRITTEN PERMISSION IS PROHIBITED.		 3000 CAMPUS DRIVE MINNEAPOLIS, MN 55441 1-800-544-7769 (763) 553-7300 (763) 553-0708 fax www.turck.us		
	MATERIAL SEE SPECIFICATIONS	DRFT PJ	DATE 01/26/07			DESCRIPTION DSM DKM 26-631-*
	FINISH SEE SPECIFICATIONS	ALL DIMENSIONS DISPLAYED ON THIS DRAWING ARE FOR REFERENCE ONLY	APVD	SCALE 1=1.5	IDENTIFICATION NO.	
	CONTACT TURCK FOR MORE INFORMATION		UNIT OF MEASUREMENT MILLIMETER [INCH]		REV D	
DO NOT SCALE THIS DRAWING		FILE: 777014877		SHEET 1 OF 1		

D	UPDATE RATED CURRENT SPECIFICATIONS	KMY	12/26/13	44390
REV	DESCRIPTION	BY	DATE	ECO NO.