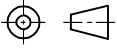


| CABLE LENGTH | TOLERANCE* |
|--------------|---|
| ALL LENGTHS | + 4% (OR 50mm) OF LENGTH - 0% (OR 0mm) OF LENGTH WHICHEVER IS GREATER |
| STRIP LENGTH | TOLERANCE* |
| 0-7mm | ±0.5mm |
| 8-29mm | ±1.0mm |
| 30-49mm | ±2.0mm |
| 50-69mm | ±3.0mm |
| 70-100mm | ±4.0mm |
| OVER 100mm | ±5.0mm |

* UNLESS OTHERWISE SPECIFIED

NOTES:
1. "*" INDICATES CABLE LENGTH IN METERS. CONTACT TURCK TO ORDER SPECIFIC LENGTHS.

SOURCE DRAWING - FOR REFERENCE ONLY

| | | | | | |
|--------------------|---|--|-----|--|-----------------|
| RELATED DOCUMENTS | 3RD ANGLE PROJECTION | THIS DRAWING IS CONFIDENTIAL AND THE PROPERTY OF TURCK INC. USE OF THIS DOCUMENT WITHOUT WRITTEN PERMISSION IS PROHIBITED. | | TURCK 3000 CAMPUS DRIVE MINNEAPOLIS, MN 55441 1-800-544-7769 (763) 553-7300 (763) 553-0708 fax www.turck.us | |
| 1. |  | DRFT | RDS | DATE | 08/08/06 |
| 2. | | APVD | | SCALE | 1=1.0 |
| 3. | ALL DIMENSIONS DISPLAYED ON THIS DRAWING ARE FOR REFERENCE ONLY | UNIT OF MEASUREMENT | | | DESCRIPTION |
| 4. | | MILLIMETER [INCH] | | | |
| MATERIAL | CONTACT TURCK FOR MORE INFORMATION | IDENTIFICATION NO. | | | REV |
| SEE SPECIFICATIONS | | PKG 3M--*--WS 4T | | | D |
| FINISH | SEE SPECIFICATIONS | DO NOT SCALE THIS DRAWING | | | FILE: 777014148 |
| | | SHEET 1 OF 1 | | | |

| | | | | |
|-----|--------------------------|----|----------|---------|
| D | UPDATE MALE COUPLING NUT | ER | 04/18/18 | 56903 |
| REV | DESCRIPTION | BY | DATE | ECO NO. |