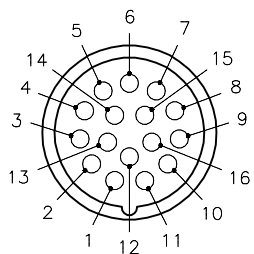
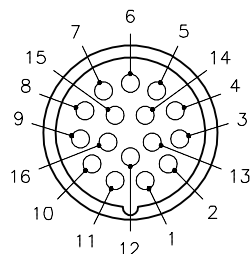


MALE END VIEW

FEMALE END VIEW



- 1 = WHITE
- 2 = BLACK
- 3 = GREEN
- 4 = RED
- 5 = ORANGE
- 6 = BLUE
- 7 = BROWN
- 8 = YELLOW
- 9 = VIOLET
- 10 = GRAY
- 11 = PINK
- 12 = TAN
- 13 = WHITE/BLACK
- 14 = WHITE/GREEN
- 15 = WHITE/RED
- 16 = WHITE/BLUE

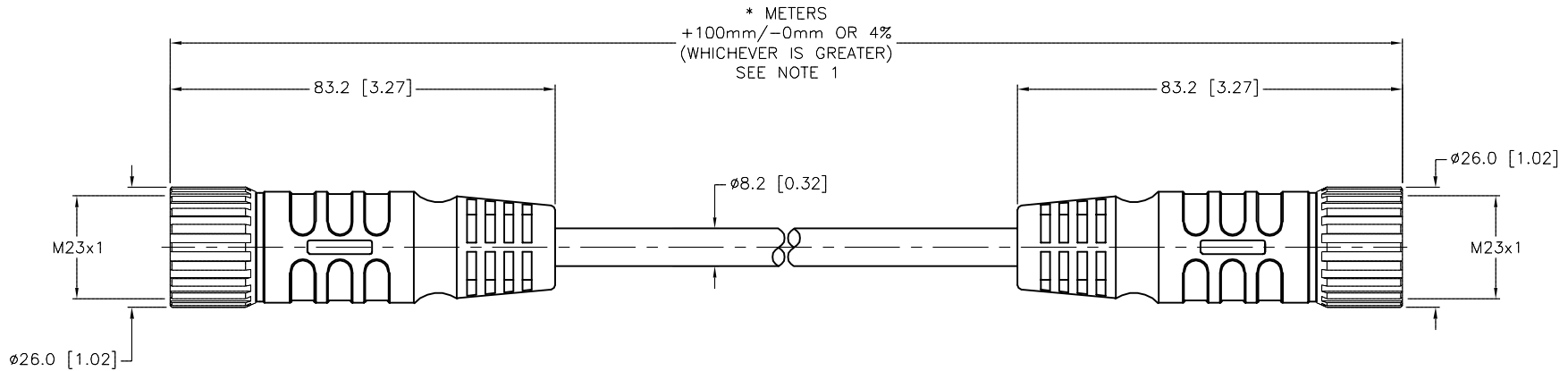


M23 connector

M23 connector

SPECIFICATIONS

CONTACT CARRIER MATERIAL/COLOR	NYLON or PBT/GRAY
MOLDED HEAD MATERIAL/COLOR	TPU/BLACK
CONTACT MATERIAL/PLATING	BRASS/GOLD
COUPLING NUT MATERIAL/FINISH	STAINLESS STEEL/PASSIVATED
RATED CURRENT [A]	3.0 A
RATED VOLTAGE [V]	300 V
OUTER CABLE JACKET MATERIAL/COLOR	PVC/BLUE
CONDUCTOR INSULATION MATERIAL	PVC
NUMBER OF CONDUCTORS [AWG]	16x22 AWG
TEMPERATURE RANGE	-40°C to +105°C (-40°F to +221°F)
PROTECTION CLASS	MEETS IEC IP68



SOURCE DRAWING - FOR REFERENCE ONLY

NOTES:

1. "\*" INDICATES CABLE LENGTH IN METERS. CONTACT TURCK TO ORDER SPECIFIC LENGTHS.

RELATED DOCUMENTS 1. 2. 3. 4.	3RD ANGLE PROJECTION 	THIS DRAWING IS CONFIDENTIAL AND THE PROPERTY OF TURCK INC. USE OF THIS DOCUMENT WITHOUT WRITTEN PERMISSION IS PROHIBITED.		3000 CAMPUS DRIVE MINNEAPOLIS, MN 55441 1-800-544-7769 (763) 553-7300 (763) 553-0708 fax www.turck.us	
	MATERIAL SEE SPECIFICATIONS	DRFT RDS APVD	DATE 12/21/06 SCALE 1=1.5	DESCRIPTION CSNMV CKNMV 16-16-*	
FINISH SEE SPECIFICATIONS	UNIT OF MEASUREMENT <b>MILLIMETER [ INCH ]</b>	CONTACT TURCK FOR MORE INFORMATION		IDENTIFICATION NO.	REV E
E UPDATE CONDUCTOR COLOR	NF 09/07/17	61751		DO NOT SCALE THIS DRAWING	FILE: 777009231
REV DESCRIPTION	BY DATE	ECO NO.		SHEET 1 OF 1	