

TECHNICAL CHARACTERISTICS

MATERIAL  
 INSULATOR: LCP  
 FLAMMABILITY RATING: UL94-V0  
 COLOR: BLACK  
 CONTACT MATERIAL: COPPER ALLOY  
 CONTACT TYPE: STAMPED  
 CONTACT PLATING: TIN  
 QUALITY CLASS: 25 MATING CYCLES  
 PITCH: 3.00MM

ENVIRONMENTAL  
 OPERATING TEMPERATURE: -40 UP TO 105°C  
 COMPLIANCE: LEAD FREE AND ROHS

ELECTRICAL  
 CURRENT RATING: 5A  
 WORKING VOLTAGE: 250V AC  
 INSULATOR RESISTANCE: >1000 MOHM  
 DIELECTRIC WITHSTANDING VOLTAGE: 1500V AC/MN  
 CONTACT RESISTANCE: 10 mOHM MAX

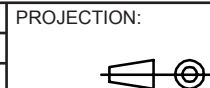
STANDARD  
 CERTIFIED: E323964

SOLDERING  
 JEDEC LEAD FREE REFLOW SOLDERING PROCESS

PACKAGING  
 TRAY

DIMENSION  
 A = 3.00 x (NB. PIN / 2 - 1)  
 B = 3.00 x (NB. PIN / 2 + 1) + 0.70

RoHS Compliant			
K	04-NOV-16	PCN	AK
J	07-MAR-16	COPLANARITY	AK
I	02-JUL-15	PINNING	AK
H	20-JAN-2015	PROJECTION	QP
REV	DATE	FILE	BY



GENERAL TOLERANCE  
 .X = +/- 0.2  
 .XX = +/- 0.15



APPROVAL: BBu

UNIT: MM  
 SCALE:  
 SHEET: 1/3  
 DRAW: PEARL

DESCRIPTION: 3.00MM MALE DUAL ROW SMT RIGHT ANGLE HEADER  
 SMT SOLDER TAB  
 WERI PART NO: 662 0xx 231 722

SIZE  
**A4**

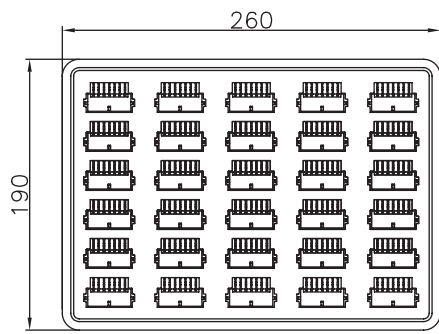
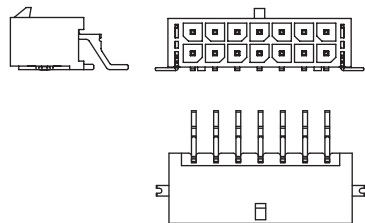
1

2

3

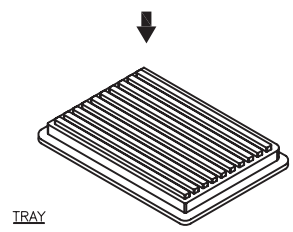
4

5

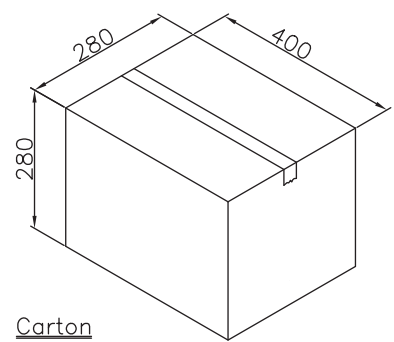
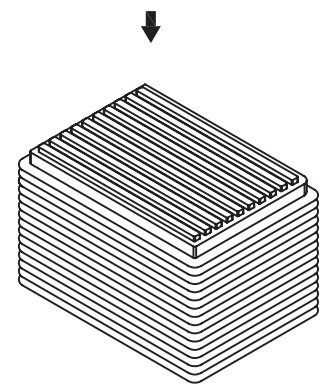


Tray

Note:  
 1.Dimension  
 Tray Size:260(L)x190(W)x12.0(H) (mm)  
 Carton Size:400X280X280(mm)  
 2.Quantity:  
 XX Pcs/Tray  
 48 Trays/Carton



TRAY



Carton

Pin.	Pcs/Tray	Pcs/Carton	Pin.	Pcs/Tray	Pcs/Carton
4	96	4608	16	56	2688
6	80	3840	18	48	2304
8	72	3456	20	40	1920
10	64	3072	22	40	1920
12	64	3072	24	40	1920
14	56	2688			

RoHS Compliant				PROJECTION: 	GENERAL TOLERANCE .X = +/- 0.2 .XX = +/- 0.15		DESCRIPTION: 3.00MM MALE DUAL ROW SMT RIGHT ANGLE HEADER SMT SOLDER TAB	SIZE <b>A4</b>
G								
F					SCALE:			
E					SHEET: 2/3			
D					DRAW: PEARL			
C								
B								
A								
REV	DATE	FILE	BY					

1

2

3

4

5

## Cautions and Warnings:

This electronic component is designed and developed with the intention for use in general electronics equipments.

Before incorporating the components into any equipments in the field such as aerospace, aviation, nuclear control, submarine, transportation, (automotive control, train control, ship control), transportation signal, disaster prevention, medical, public information network etc. where higher safety and reliability are especially required or if there is possibility of direct damage or injury to human body, Würth Elektronik must be asked for a written approval.

In addition, even electronic component in general electronic equipments, when used in electrical circuits that require high safety, reliability functions or performance, the sufficient reliability evaluation-check for the safety must be performed before by the user before usage.

A

B

C

RoHS Compliant

G				PROJECTION: 	GENERAL TOLERANCE .X = +/- 0.2 .XX = +/- 0.15		
F							
E							
D							
C				APPROVAL: JC	UNIT: MM	DESCRIPTION: DISCLAIMER	SIZE <b>A4</b>
B					SCALE:		
A	10-SEP-14	PDF	QL		SHEET: 3/3	WERI PART NO: DISCLAIMER	
REV	DATE	FILE	BY		DRAW: QL		

D