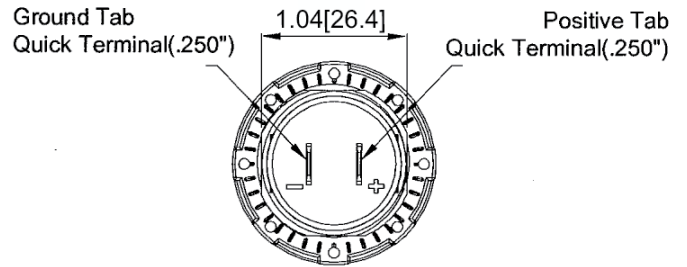
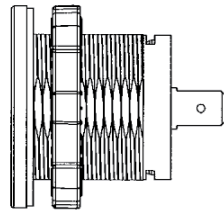
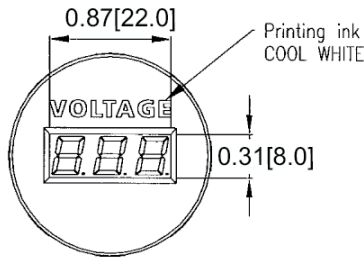
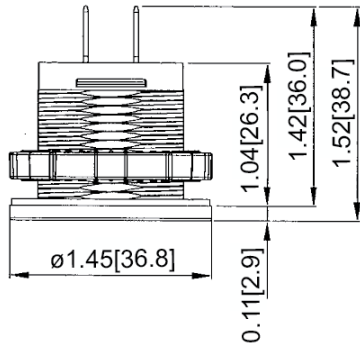
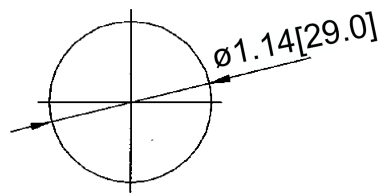


Mechanical Dimensions: Inches [mm]

Tolerances ± 0.012 [0.3] Unless Otherwise Specified



Mounting Hole



Electrical Specifications

Input Rating	6V-33VDC
Measuring Range	6V-33VDC
Voltage Tolerance	1% (12V \pm 0.1V, 24V \pm 0.2V)
Surge Protection	400W/35V
	Reverse Polarity Protection

Material Specifications

	3 Digital LED Display, Green
Housing	Nylon with Fiberglass (UL94-HB), Black
Operating Temperature	-20°C ~ 50°C

Rev Date of issue Revision Notes

Designed Approved

A	12-03-2020	Initial Drawing	RC	OF
---	------------	-----------------	----	----