

6

5

4

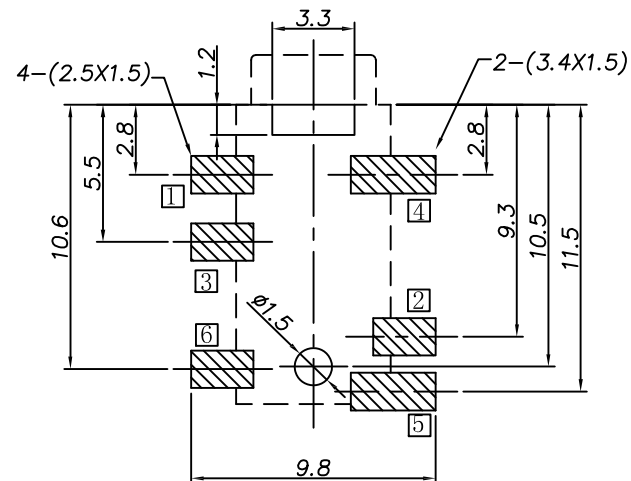
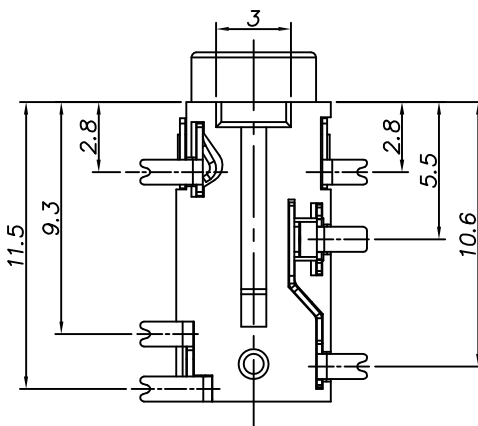
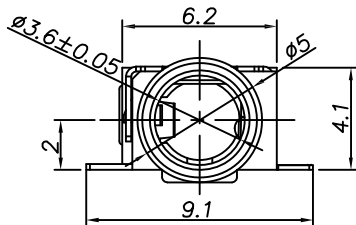
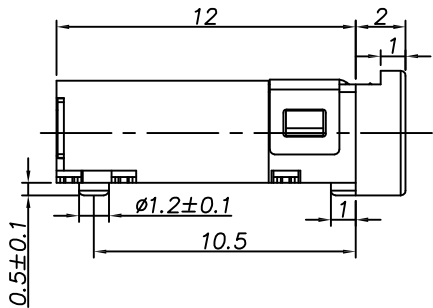
3

2

1

APPROVED: \_\_\_\_\_  
 DATE: \_\_\_\_\_ TITLE: \_\_\_\_\_

Rev	AWO #	Description	Date	Appr
-		RELEASED	11/16/18	



RECOMMENDED PCB LAYOUT

PACKAGED ON TAPE & REEL

Model No.	ASJ-137-I-T/R	ASJ-137-J-T/R	ASJ-137-M-T/R	ASJ-137-A-T/R	ASJ-137-B-T/R	ASJ-137-D-T/R
Schematic code						

SPECIFICATIONS:

Material:  
 Insulator: Hi-temp thermoplastic, rated UL 94V-0  
 Insulator color: Black  
 Contacts: Copper alloy  
 Plating:  
 Gold flash over Nickel underplate overall  
 Electrical:  
 Rating: 30VDC, 1.0A  
 Contact resistance: 30 mohms max.  
 Insulation resistance: 100 Mohms min. @ 250 VDC  
 Dielectric withstanding voltage: 500 VAC  
 Environmental:  
 Lead free, RoHS compliant.



UNLESS OTHERWISE SPECIFIED ALL DIMENSIONS ARE MILLIMETERS TOLERANCES: EXCEPT AS NOTED MM ANGLE ± 0.30 ± 2°		<b>ADAM TECH</b> INTERCONNECTS		909 Rahway Avenue, Union, NJ 07083 Phone: 908-687-5000 Fax: 908-687-5710	
APPROVALS		DATE		TITLE	
DRAWN	HR	11/16/18		STEREO PHONE JACK, 3.5MM	
CHECKED	AC1	11/16/18		SIZE	PART NO.
APPROVED				X	ASJ-137-X-T/R
REF: S00002C		SCALE: NTS	SHEET 1 OF 1		

6

5

4

3

2

1