

6

5

4

3

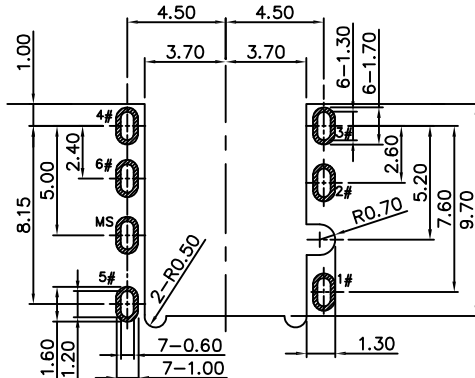
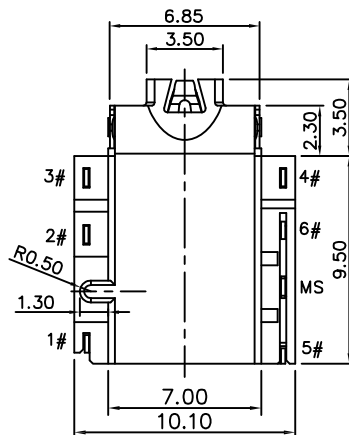
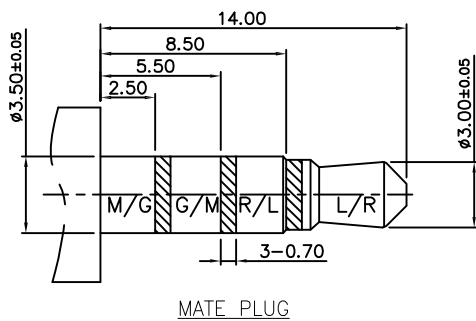
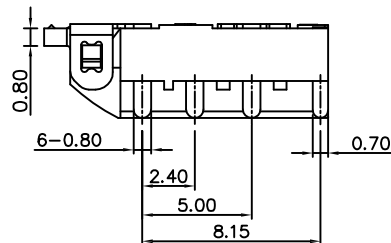
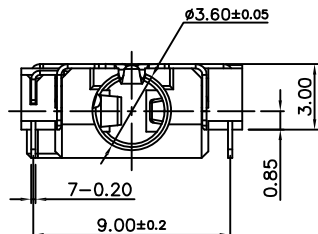
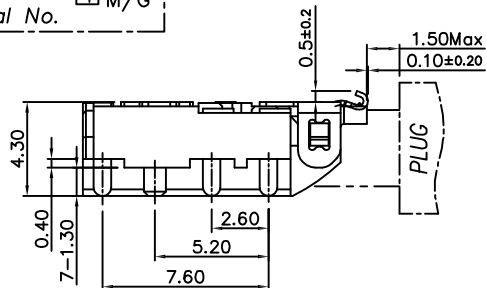
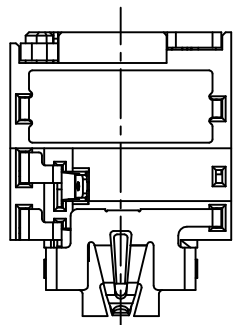
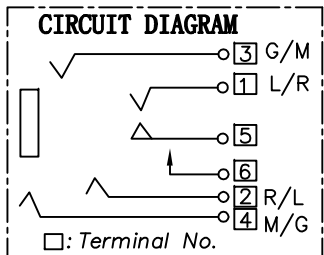
2

1

APPROVED: _____

DATE: _____ TITLE: _____

Rev	AWO #	Description	Date	Appr
-		RELEASED	11/16/18	



SPECIFICATIONS:

Material:
Housing: Hi-Temp Thermoplastic, reated UL94V-0, Color: Black
Contacts: Phosphor Bronze
Shell: Stainless Steel, Nickel plated
Plating:
Gold flash over Nickel underplate overall
Electrical:
Rating: 30VDC, 0.5A
Contact Resistance: 50 mohm max.
Insulation Resistane: 100 Mohm min. @ 500 VDC
Dielectric withstanding voltage: 500 VAC
Temperature Rating:
Operating temperature: -20°C to +70°C
Environmental:
Lead free, RoHS compliant.



PACKAGED ON TAPE & REEL

RECOMMENDED PCB LAYOUT

UNLESS OTHERWISE SPECIFIED ALL DIMENSIONS ARE MILLIMETERS TOLERANCES: EXCEPT AS NOTED		ADAM 909 Rahway Avenue, TECH Union, NJ 07083 INTERCONNECTS Phone: 908-687-5000 Fax: 908-687-5710	
APPROVALS		TITLE	
DATE		3.5MM STEREO PHONE JACK, EDGE HANG, R/A	
DRAWN	HR	11/16/18	
CHECKED	AC1	11/16/18	
APPROVED			
SIZE	PART NO.	REV.	
X	ASJ-198-Y-HT-T/R	-	
REF:	S00002C	SCALE:	NTS
		SHEET 1 OF 1	

6

5

4

3

2

1