

Type FMS

Fast Acting Micro Fuse

Radial Leaded – Short Leaded

Designed to Meet UL/CSA Specifications



www.optifuse.com (619) 593-5050

Agency Standards and Listings:



Voltage: 250V

Material

Body: Thermoplastic UL94V0

Pin: Copper Alloy, Tin plated

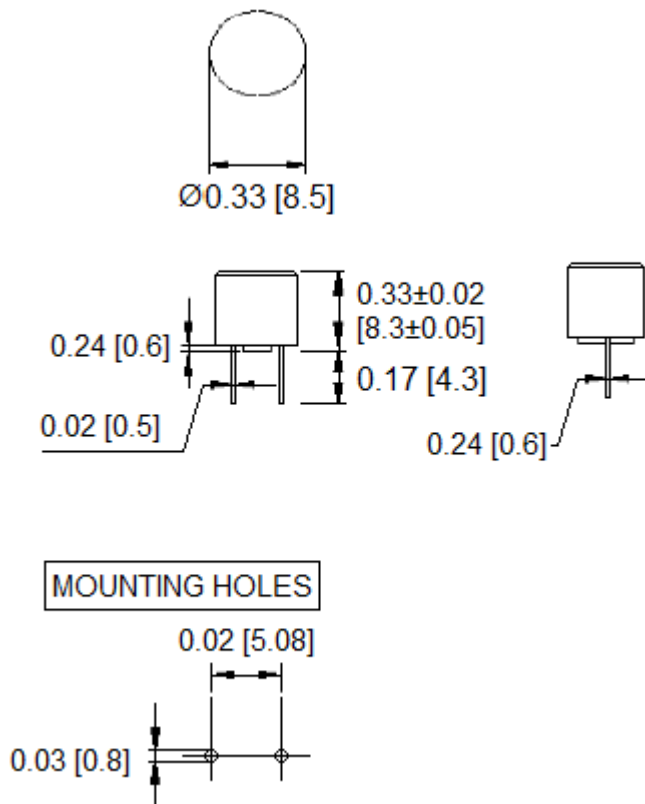
Element: Silver Alloy

Interrupt Ratings: 50A @ 250 VAC

Electrical Characteristics:

Rated Current	1.0 In	2.0 In
50mA~10A	Carry	10 sec Max

Mechanical Dimensions: Inches [mm]



Cartridge Catalog Number	Ampere Rating	Voltage Rating	I ² T
FMS-50mA	50mA	250VAC	0.0001
FMS-60mA	60mA		0.00017
FMS-63mA	63mA		0.00023
FMS-80mA	80mA		0.00037
FMS-100mA	100mA		0.0013
FMS-125mA	125mA		0.0019
FMS-160mA	160mA		0.004
FMS-200mA	200mA		0.0065
FMS-250mA	250mA		0.014
FMS-300mA	300mA		0.028
FMS-315mA	315mA		0.032
FMS-400mA	400mA		0.016
FMS-500mA	500mA		0.024
FMS-600mA	600mA		0.032
FMS-630mA	630mA		0.039
FMS-700mA	700mA		0.045
FMS-800mA	800mA		0.069
FMS-1A	1A		0.11
FMS-1.25A	1.25A		0.2
FMS-1.5A	1.5A		0.32
FMS-1.6A	1.6A	0.38	
FMS-2A	2A	0.63	
FMS-2.5A	2.5A	1.2	
FMS-3A	3A	1.7	
FMS-3.15A	3.15A	1.9	
FMS-3.5A	3.5A	2.7	
FMS-4A	4A	3.5	
FMS-5A	5A	6.2	
FMS-6.3A	6.3A	9.1	
FMS-7A	7A	21	
FMS-8A	8A	26	
FMS-10A	10A	49	

Warning:



-Operation beyond the specified maximum ratings or improper use may result in damage and possible electrical arcing and/or flame.
 -Micro Fuse device are intended for occasional overcurrent protection. Application for repeated overcurrent condition and/or prolonged trip are not anticipated.
 -Avoid contact of Micro Fuse device with chemical solvent. Prolonged contact will damage the device performance.