

# Type FPT Fuse Telecom



www.optifuse.com (619) 593-5050

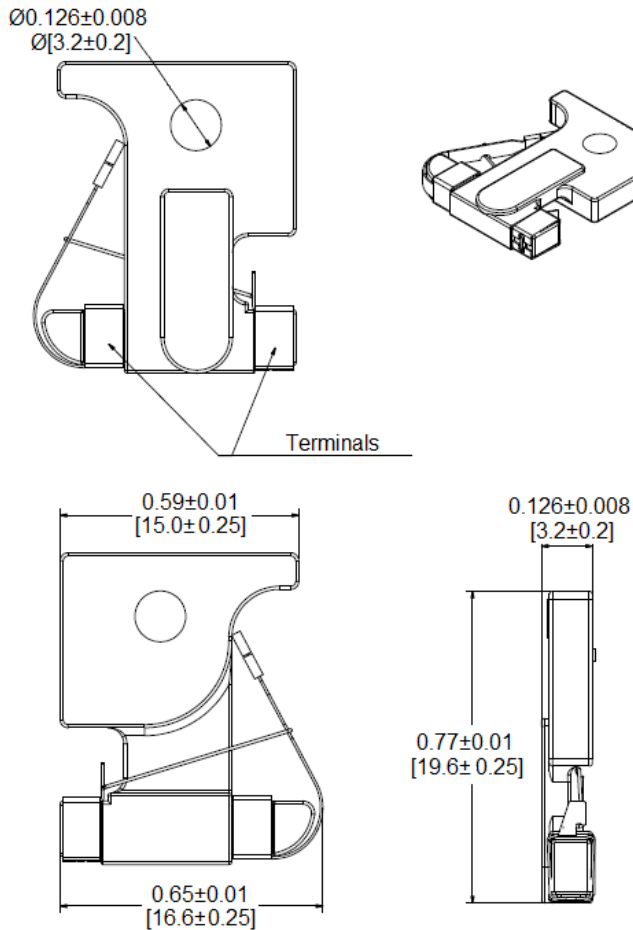
### Ratings:

**Body:** PPS UL94V-0  
**Terminals:** Tin plated Beryllium Copper  
**Color:** Black

### Interrupt Rating:

300A @ 125V AC/DC  
 450A @ 60V DC

### Mechanical Dimensions: Inches [mm]



### Time Characteristics

Rated Current	100%	150%
	180mA~20A	Min. 10 min

Part Number	Amperage	Color
FPT-180mA	180mA	Yellow
FPT-250mA	250mA	Violet
FPT-500mA	500mA	Red
FPT-650mA	650mA	Black
FPT-750mA	750mA	Brown
FPT-1A	1A	Gray
FPT-1.33A	1.33A	White
FPT-1.5A	1.5A	Yellow-White
FPT-2A	2A	Orange
FPT-2.5A	2.5A	Orange-White
FPT-3A	3A	Blue
FPT-3.5A	3.5A	Blue-White
FPT-4A	4A	Brown-White
FPT-5A	5A	Green
FPT-7.5A	7.5A	Black-White
FPT-10A	10A	Red-White
FPT-12A	12A	Green-Yellow
FPT-15A	15A	Red-Blue
FPT-20A	20A	Green-White
FPT-D	Dummy	Gray

### Warning:



-Operation beyond the specified maximum ratings or improper use may result in damage and possible electrical arcing and/or flame.  
 -Avoid contact of device with chemical solvent. Prolonged contact may damage the device performance.