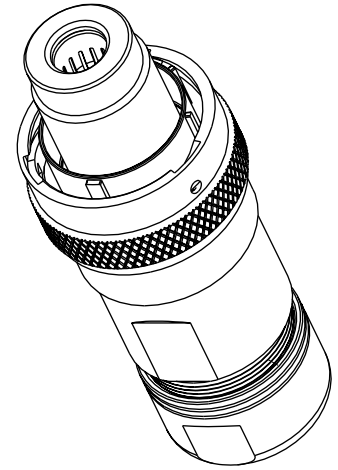
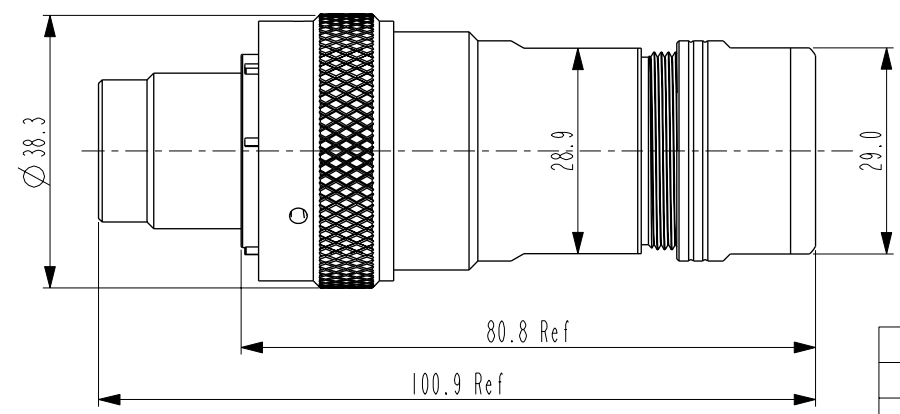
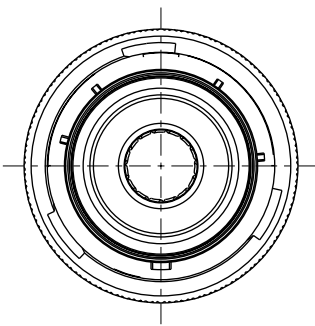


REVISIONS						
REV	ZONE	ECO	DESCRIPTION	DATE	BY	APPR
01	--	--	RELEASE NUMBER	19-Jun-10		



TECHNICAL SPECIFICATION	
Operating Temperature	From -40°C to +125°C
Insulation Resistance	5000MΩ Min
Test Potential	5000V AC
IP-Class	IP67
Operation Voltage	630V AC/DC
Current rating	425A Max
Wire Size Available	50mm ² Max
Crimp Cable Range	20mm Max
Suitable pin/socket type	10mm Radsok Contact

MATERIAL DESIGNATION:
 SHELLS: Zinc Alloy, Nickel Plated.
 INSERT: PA 66 UL94 V0.
 COUPLING RING: Al Alloy, Nickel Plated.
 O-RING: SILICONE RUBBER.
 BACKSHELL: Zinc Alloy, Nickel Plated.
 CONTACT: Copper Alloy, Silver Plated.
 RoHS Compliant

MATERIALS LIST			
UNLESS OTHERWISE SPECIFIED 1) All dimensions are in metric(mm). 2) Tolerances are as follows: 1 PL DEC ±0.20 2 PL DEC ±0.10 3 PL DEC ±0.05		MATERIAL SPECIFICATIONS:	
SIGNATURE		PROCESS SPECIFICATIONS:	
DATE		DRAWING NO:	
DRAWN		THIS DRAWING IS SUPPLIED FOR INFORMATION ONLY. DESIGN FEATURES, SPECIFICATIONS AND PERFORMANCE DATA SHOWN HEREON ARE THE PROPERTY OF THE AMPHENOL CORPORATION. NO RIGHTS OF REPRODUCTION ARE IMPLIED. ALL DIMENSIONS ARE SUBJECT TO NORMAL MANUFACTURING VARIATIONS.	
CHECKED		THIRD ANGLE PROJECTION	
ENGINEER		SHEET 1 OF 2	
APPROVAL		NEXT ASS'Y:	
CUSTOMER		SCALE	

SINE Systems Corporation
 A Subsidiary of Amphenol Corporation

Plug, 10mm single socket contact, shielding, cord grip

RTHP6201SNH-50S2

第三角投影	文件编号	幅面	质量	层数	比例
THIRD ANGLE PROJECTION	FILE NO.	SIZE	MASS	REV.	SCALE
		A4		01	1:1