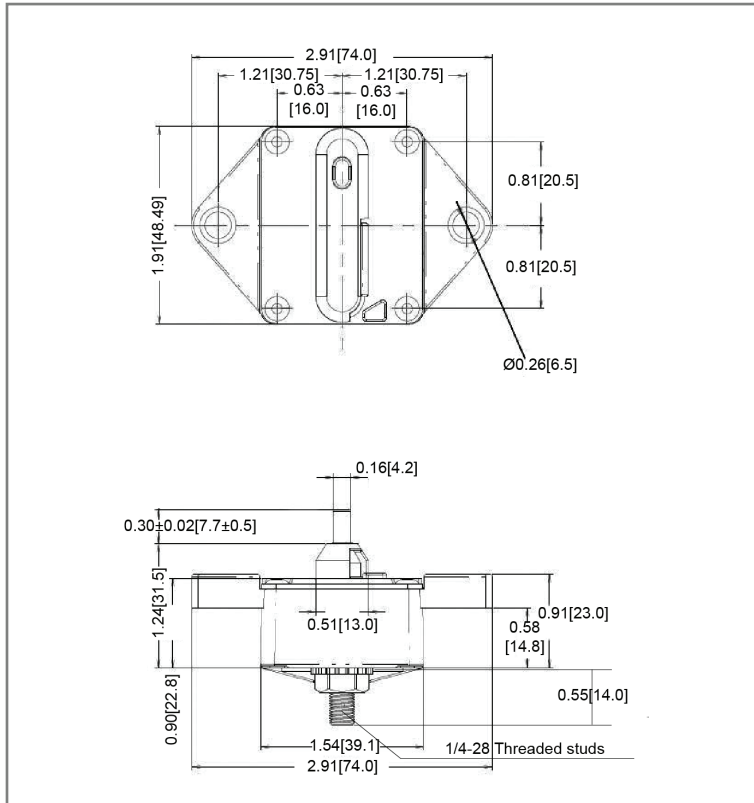


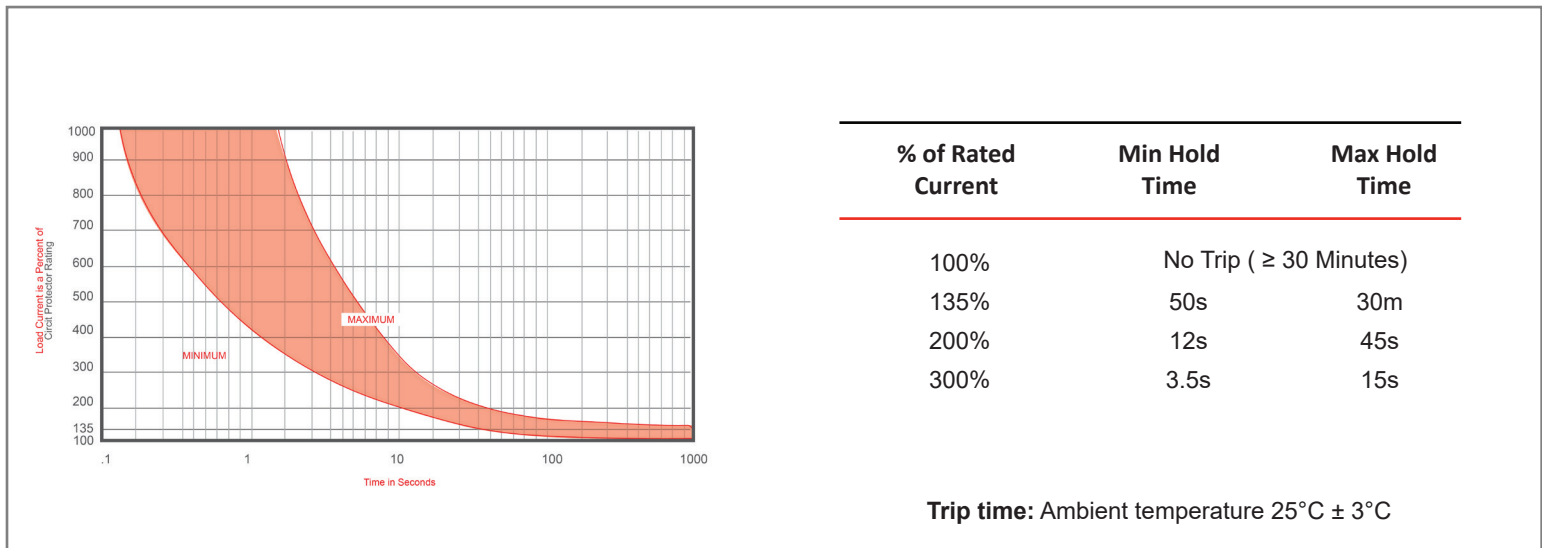
## Mechanical Dimensions: Inches [mm]



## Part Numbers Information

Optifuse P/N	Current
143025	25A
143030	30A
143040	40A
143050	50A
143060	60A
143070	70A
143080	80A
143090	90A
143100	100A
143120	120A
143135	135A
143150	150A
143180	180A
143200	200A

## Time vs. Percent of Rated Current



## Electrical Specifications

<b>Voltage Rating</b>	42VDC
<b>Reset Type</b>	Type III - Manual Reset
<b>Interrupting Rating</b>	3000A @ 30VDC
<b>Operation Temperature</b>	$-25^{\circ}\text{F} \sim 180^{\circ}\text{F}$
<b>Compliances</b>	SAE J1625, SAE J1171, IEC 60934

## Material Specifications

High Amp - Waterproof Circuit Breaker   IP67	
<b>Body Material</b>	Thermoset Plastic (UL94V-0)
<b>Terminals Configuration</b>	1/4"-28 Stud
<b>Mounting Type</b>	Panel Mount
<b>Mounting Torque   Stud Torque</b>	40in-lb Max   50in-lb Max

Rev	Date of issue	Revision Notes	Designed	Approved
A	03-14-2023	Initial Drawing	RC	OF