

# Type TFLD

## Automotive Fuse Link

### 9/16" Axial Male Terminal

### (Short Lead)



www.optifuse.com

(619) 593-5050

**Specifications:**

**Voltage:** 32VDC

**Amperage:** 20A, 30A, 40A, 50A, 60A, 70A, 80A, 100A, 120A, 140A

**Interrupting Rating:** 5,000A @ 32 VAC

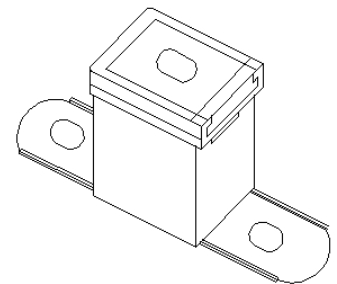
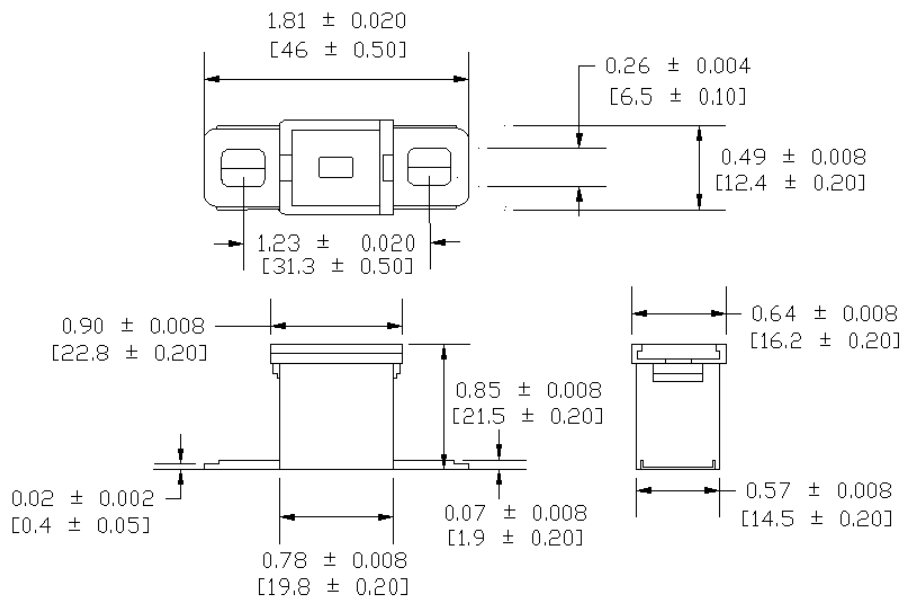
**Agency Standards and Listings:**

**JASO D612-4:2001**

| Time Characteristics |               |               |
|----------------------|---------------|---------------|
| % of rated current   | Min hold time | Max hold time |
| 110%                 | 4h            |               |
| 200%                 | 5s            | 100s          |
| 350%                 | 200ms         | 7s            |
| 600%                 | 40ms          | 1s            |

| Part Number | Ampere Rating | Housing Color |
|-------------|---------------|---------------|
| TFLD-20A    | 20A           | Light-Blue    |
| TFLD-30A    | 30A           | Pink          |
| TFLD-40A    | 40A           | Green         |
| TFLD-50A    | 50A           | Red           |
| TFLD-60A    | 60A           | Yellow        |
| TFLD-70A    | 70A           | Brown         |
| TFLD-80A    | 80A           | Black         |
| TFLD-100A   | 100A          | Blue          |
| TFLD-120A   | 120A          | White         |
| TFLD-140A   | 140A          | Reddish Brown |

**Mechanical Dimensions: Inches [mm]**



**Warning:**



-Operation beyond the specified maximum ratings or improper use may result in damage and possible electrical arcing and/or flame.

-Avoid contact of device with chemical solvent. Prolonged contact will damage the device performance.