

Type MGGA-B
Slow Blow Automotive (MEGA®)1
Bolt-on Fuse



www.optifuse.com (619) 593-5050

Specification:

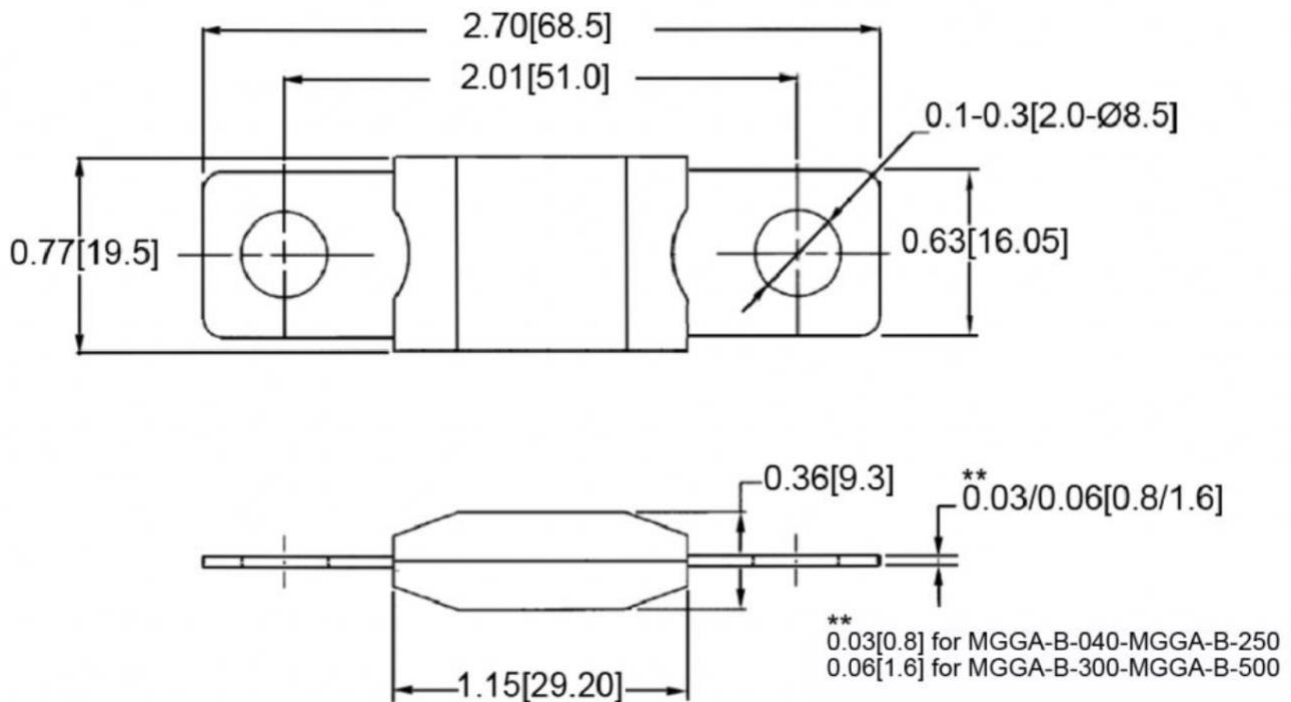
- Voltage Rating:** 32VDC
- Ampere Rating:** 40A-500A
- Interrupting Rating:** 2000A@32VDC
- Operating Temperature:** -20°C ~ 125°C
- Terminals:** Copper with tin plated
- Body:** Nylon 66 UL94V0 with glass fiber
- Conform to SAE safety regulation standard
- Color:** Black body

Part Number	Ampere Rating	Voltage Rating (VDC)
MGGA-40A-B	40A	32VDC
MGGA-50A-B	50A	32VDC
MGGA-60A-B	60A	32VDC
MGGA-70A-B	70A	32VDC
MGGA-80A-B	80A	32VDC
MGGA-90A-B	90A	32VDC
MGGA-100A-B	100A	32VDC
MGGA-125A-B	125A	32VDC
MGGA-150A-B	150A	32VDC
MGGA-175A-B	175A	32VDC
MGGA-200A-B	200A	32VDC
MGGA-225A-B	225A	32VDC
MGGA-250A-B	250A	32VDC
MGGA-300A-B	300A	32VDC
MGGA-400A-B	400A	32VDC

Electrical Characteristics:

Rating Amp	75%	100% In	135% In	200% In	350% In
40A~250A	-	Min 1 hr.	Min 120 sec Max 1800 sec	Min 1 sec Max 15 sec	Min 300ms Max 5 sec
300A~500A	Min 1 hr.	-	-	Min 1 sec Max 15 sec	Min 500ms Max 5 sec

Mechanical Dimensions: Inches [mm]

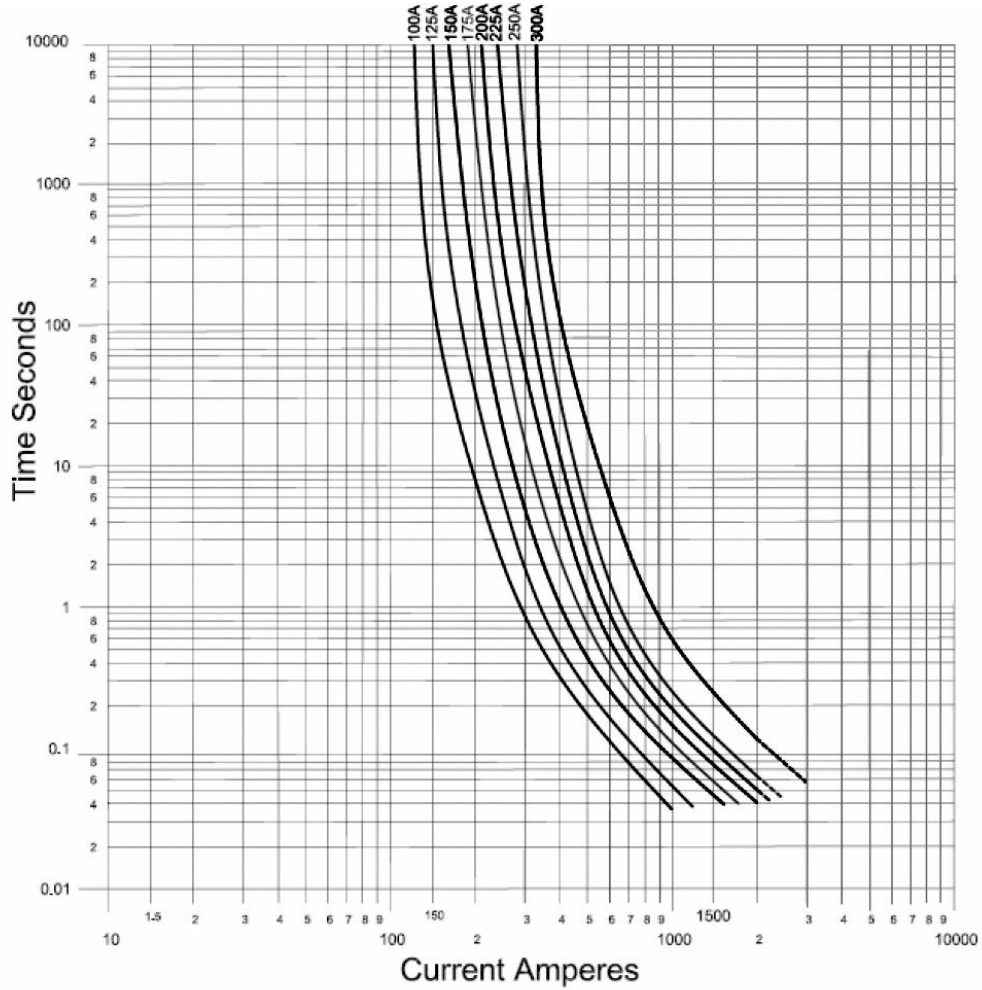


Type MGGA-B
Slow Blow Automotive (MEGA®)1
Bolt-on Fuse



www.optifuse.com (619) 593-5050

Average Time Current Curves



Warning:



- Operation beyond the specified maximum ratings or improper use may result in damage and possible electrical arcing and/or flame.
- Limiter Fuses are intended for occasional overcurrent protection. Application for repeated overcurrent condition and/or prolonged trip are not anticipated.
- Avoid contact of Limiter Fuses with chemical solvent. Prolonged contact will damage the device performance.