

Type APS Automotive Blade Fuse Low Profile Miniature



www.optifuse.com (619) 593-5050

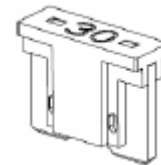
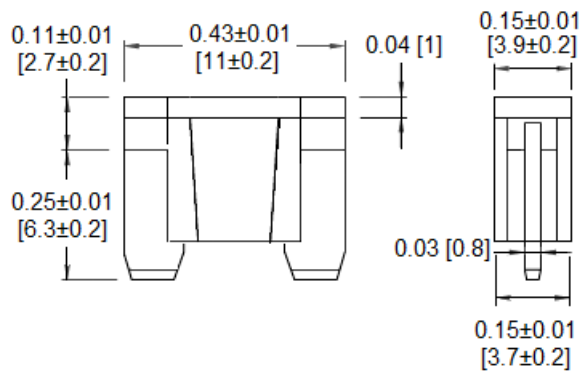
Specifications:

- Voltage: 32V DC
- Amperage: 2A, 3A, 4A, 5A, 7.5A, 10A, 15A, 20A, 25A, 30A
- Body: Polycarbonate
- Terminals: Zinc Alloy
- Interrupt Ratings: 1000A @ 32VDC
- Standards: According to JASO Standard Specifications

Part Number	Amperage	Body Color
APS-2A	2A	Gray
APS-3A	3A	Violet
APS-4A	4A	Pink
APS-5A	5A	Tan
APS -7.5A	7.5A	Brown
APS -10A	10A	Red
APS -15A	15A	Blue
APS -20A	20A	Yellow
APS -25A	25A	Clear
APS -30A	30A	Green

Time Characteristics:		
% of Rated Current	Min Hold Time	Max Hold Time
110%	100h	
135%	750ms	1800s
200%	150ms	5s
350%	80ms	250ms
600%	30ms	100ms

Mechanical Dimensions: Inches [mm]



<p>Warning:</p>	<p>-Operation beyond the specified maximum ratings or improper use may result in damage and possible electrical arcing and/or flame.</p> <p>-Avoid contact of device with chemical solvent. Prolonged contact will damage the device performance.</p>
------------------------	-------------------------------------------------------------------------------------------------------------------------------------------------------------------------------------------------------------------------------------------------------