



DYNC Series

NEMA 4X COMBINATION EXIT/EMERGENCY LIGHT

DATE:	LOCATION:
TYPE:	PROJECT:
CATALOG #:	

FEATURES

- NEMA 4X Rated
- UL Sanitation Certified
- Full Lumen output over 90 minutes of battery discharge
- Heavy Duty die-cast construction with polycarbonate shields
- Long-life Lithium Iron Phosphate battery
- Red or Green Letters in White or Black Finish
- Wall, Ceiling or End Mount
- Optional Class 1, Division 2 Certified Selections



[SEWL - NEMA 4X Die-Cast exit Sign](#)

[DYN Series - NEMA 4X/C1D2/C2D1 Industrial LED Emergency Light](#)

SPECIFICATIONS

APPLICATION

- The "Dynamo" DYNC Series is a highly versatile superior lumen output, industrial application combination Exit/Emergency lighting unit designed to provide a minimum of 90 minutes illumination when primary power is lost
- The DYNC Series provides the same level of lumen output with no light degradation for the full 90 minutes of battery discharge
- The Dynamo Combo is specifically designed for demanding environment, high reliability operation in industrial settings such as wet location or hose-down, food processing, food storage, production facilities, chemical plant, and wastewater treatment
- Includes micro-controller based 3-stage charger and Lithium Iron Phosphate (LiFePO) battery. Also includes Spectron Self-Test/ Self-Diagnostics
- The DYNC Series accepts 120 or 277VAC input at 50 or 60Hz
- Optional Class 1, Division 2 Certified Selections

CONSTRUCTION

- The DYNC Series has a high strength die-cast aluminum housing which is fully gasketed and corrosion resistant with a white or black finish
- LED based lamp-heads are made of die-cast aluminum with polycarbonate lens and clear polycarbonate lamp-head shield
- The EXIT face shield is made of polycarbonate with a steel stencil and red or green diffuser

CONSTRUCTION (CONTD.)

- All exposed hardware in stainless steel
- Vandal Resistant Hardware Accessory Kit is available

INSTALLATION

- The unit includes a canopy which facilitates NEMA 4X mounting to a wall, ceiling or end mount
- In NEMA4X conduit applications, use UL listed water tight conduit fittings that meet the requirements of the UL 514B Standard for Conduit Tubing and Cable Fittings when using knockouts on the side or top of unit. All fittings supplied by others

ILLUMINATION

- The DYNC series provides bright and uniform illumination and is specifically designed for higher mounting heights above 9'
- Coverage provided by 2 sealed aluminum lamp-heads using 3 high power LEDs each
- The LEDs are located in a specially designed heat dissipating lamp-head which is fully adjustable and can be locked into position. The DYNC is designed for full lumen output across the entire 90 minutes of operation
- This ensures maximum visibility of the egress path over the full 90 minute discharge period
- Exit illumination is provided by color matched diffuser and green or red high output, long-life LED's

COMPLIANCES

- Listed and Labeled to UL 924 Wet Location and UL Type 4X
- Tested and Rated for IP66 Ingress Protection
- UL Sanitation Certified
- Life Safety Code (NFPA 101)
- National Electrical Code (NFPA70)
- OSHA illumination standards
- CEC T20 Compliant
- Optional Class 1, Division 2 Certified Selections

WARRANTY

- LED Lifetime Warranty
- DYNC Spectron® - 5 year warranty

KEY DATA		
Number of Lamps	2 lamp-heads with 3 high-power LEDs per head	
Lamp Color	Cool White, 5000K	
Total Lamp Output	Standard Model:	331 lumens per lamp-head
	Optional:	6W Lamps, 514 lumens per lamp-head
Rated LED Lifecycle (Hours)	> 100,000	



DYNC Series

NEMA 4X COMBINATION EXIT/EMERGENCY LIGHT

DATE:	LOCATION:
TYPE:	PROJECT:
CATALOG #:	

ORDERING GUIDE

Example: SEWLSRWE

CATALOG #

DYNC		Faces	Letter Color	Finish	Capacity	Lamp	Options
DYNC	NEMA 4X Cast Combination Exit/Emergency Light	S Single D Double*	R Red G Green	W White B Black	6 6 watt 12 12 watt ¹	Blank 3 Watt 06L 6 watt ²	Blank NEMA 4X Rated HTR Heater for Cold Temp. ³ 0 No Head ^{4,5} C1D2 Class 1 Div 2 ⁵

Accessories

- DYNRS-4X** NEMA 4X Rated Single Head Remote
- DYNRD-4X** NEMA 4X Rated Double Head Remote
- DYNRS-4X-FP** Food Processing rated Single Head Remote (Includes Polycarbonate Shield)
- DYNRD-4X-FP** Food Processing rated Double Head Remote (Includes Polycarbonate Shield)
- Kit-SCR Vandal DYNC** Kit with vandal resistant screws



DYNRD Remote

Notes:

- 1 Not available with -HTR Option
- 2 Only available with 12W capacity models
- 3 Only available with 6W capacity models
- 4 No head runs 2 or 4 each 3W remote lamps
- 5 Only available with 12W model

ELECTRONICS

Upon failure of the normal utility power, an LED driver is automatically activated to power the emergency LED lamp-heads and EXIT LED's. Upon resumption of normal utility power, the LED driver is turned off, and the battery is recharged through a micro-controller based 3-stage charger. The battery is a maintenance-free Lithium Iron Phosphate (LiFePO) type. The DYNC series accepts dual-voltage input of 120 or 277VAC at 50 or 60 Hz. A low voltage battery disconnect(LVD) feature protects the battery from severe damage during prolonged power failures. Manual testing is available at any time using the push-to-test button. The optional heater features a heating wrap and thermostat to maintain optimal battery temperature during charge or discharge.

STANDARD FEATURES INCLUDE

- Sealed External push-to-test switch and AC-on indicator
- Battery re-charge within 24 hours
- AC Lock-out circuit
- Low voltage battery disconnect
- Conduit entry knock-out located at the top center and upper half of each side
- Micro-controller based 3-stage charger
- Self-diagnostics monitors LED status, LED driver circuit, battery capacity and charger function and displays any fault detection by means of a flashing code
- Self-Test feature automatically runs a 1 minute test once a month and an alternating 30 or 60 minute test once every 6 months. Multi-color LED indicator provides visible fault detection and charging status
- User initiated 1, or 90-minute system test feature
- 15 minute re-transfer delay
- Automatic unit transfer in brown-out conditions(below 80% of nominal AC input voltage)

Photometrics available for download on the Dual-Lite website.

OPTIONAL FEATURES

- HTR- Includes a heating wrap and thermostat to maintain optimal battery temperature in cold environments to -22°F(-30°C)
- 4X -NEMA4, 4X option fully sealed and gasketed for indoor/outdoor use, splash and hose-down environments and corrosion resistance
- FP- Food processing is UL Sanitation certified for use in food preparation and storage, and in food service establishments
- Optional Class 1, Division 2 Certified Selections

OPERATING TEMPERATURE RANGE

- Wet/NEMA4X Location Listed: 32° to 122°F (0° to 50°C)
- Heater Option Models: -22° to 122°F(-30° to 50°C)



DYNC Series

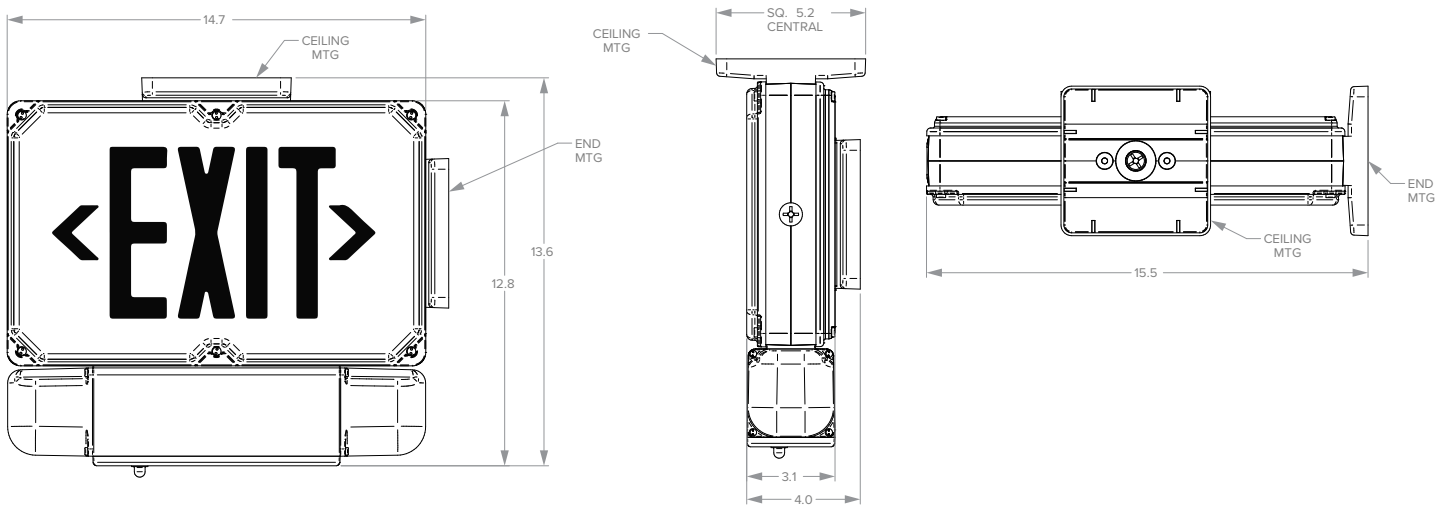
NEMA 4X COMBINATION EXIT/EMERGENCY LIGHT

ADDITIONAL ORDERING INFORMATION

	Battery	Capacity	Lamp(W)	Lumens per Lamp	Remote Lamp Watts	Run-Time	Extended Runtime	Remote Capable	Remote Part Number
DYNCXXX6	LiFePO4	6 watts	3 watts	331	0	90 min	No	No	N/A
DYNCXXX12	LiFePO4	12 watts	3 watts	331	6	90 min	Yes	Yes	DYNR
DYNCXXX12-06L	LiFePO4	12 watts	6 watts	514	0	90 min	No	No	N/A
DYNCXXX6-HTR	LiFePO4	12 watts	3 watts	331	0	90 min	No	No	N/A

Note: On the -HTR model, the overall capacity is used to run the heater in emergency mode

DIMENSIONS



APPLICATION INFORMATION

