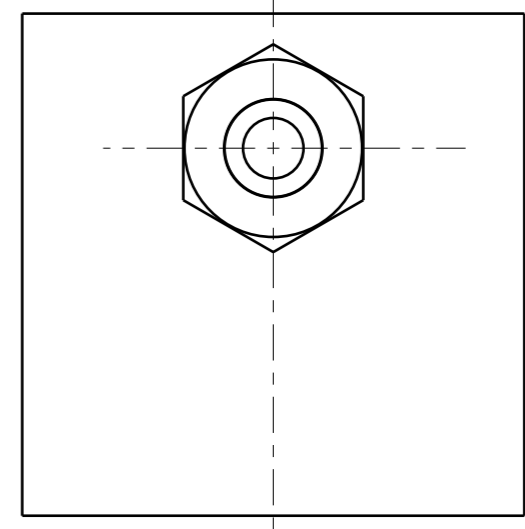
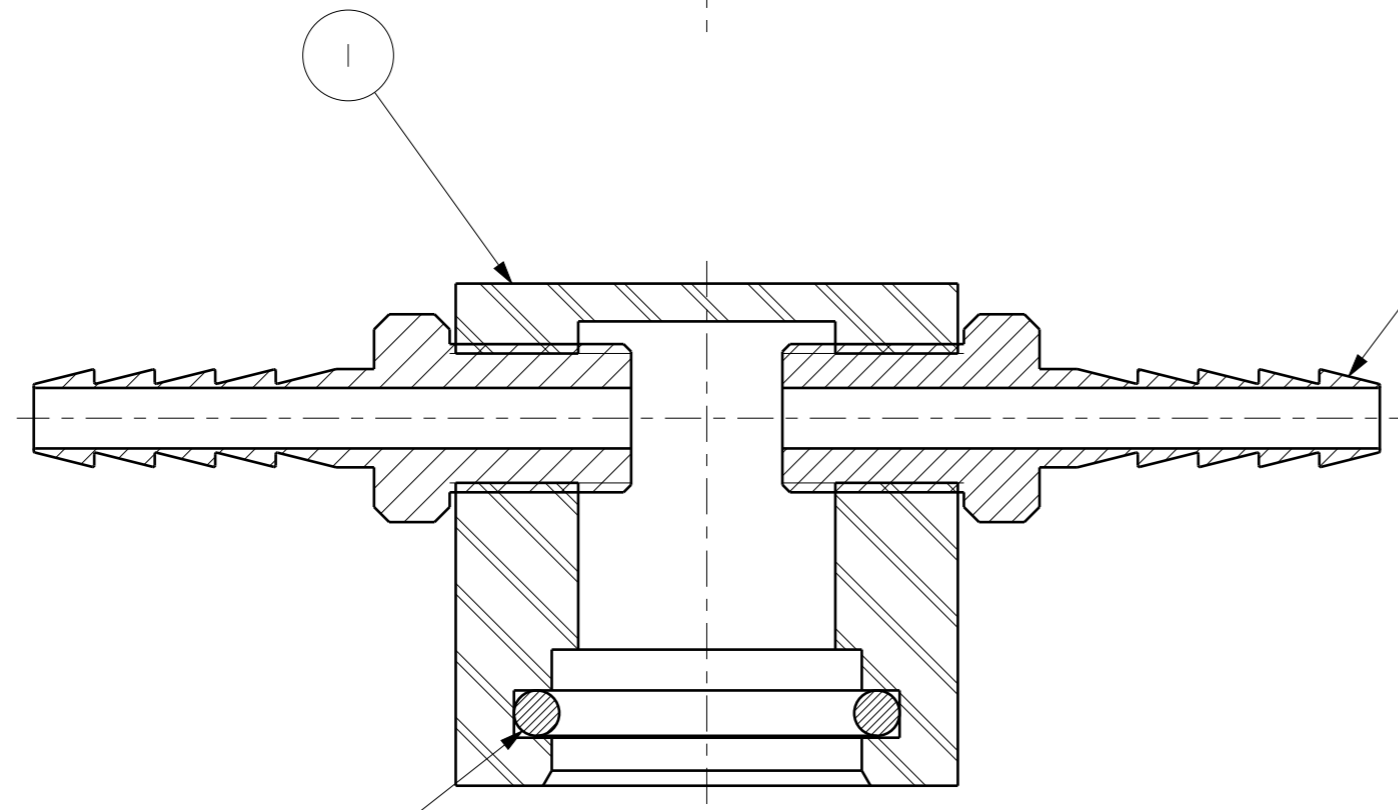


SCALE 1:1



REF.	PART NO.	DESCRIPTION	QTY.
1	JPP762258AA	MINISENSOR GAS CAP	1
2	M82286A	O-RING 19.50 ID x 3.00	1
3	M82287A	BRASS HOSE TAIL 1/8 BSSP	2

MATERIAL		SECURITY CLASSIFICATION		PROJECT SAFETY OFFICER (PSO)	
FINISH				e2v e2v technologies (uk) ltd 106 Waterhouse Lane, Chelmsford Essex, CMI 2QU United Kingdom	
MODELLED				Pro/ENGINEER	
DRAWN		THIRD ANGLE PROJECTION		SCALE	
CHECKED				2:1	
APPROVED		SHOULD THIS DRAWING BE DISTRIBUTED ELECTRONICALLY, THE DATA CONTAINED MUST BE CHECKED WITHIN THE DIMENSIONAL CONSTRAINTS SHOWN BEFORE TRANSFER TO ANY FORM OF COMPUTER AIDED MANUFACTURE.			
GENERAL TOLERANCE UNLESS OTHERWISE STATED		MACHINED FINISH		VERSION	
LINEAR ± ANGULAR ±		$\frac{16}{\sqrt{\quad}}$ (BS:1134) UNLESS OTHERWISE STATED		1 ECR	
ALL DIMENSIONS IN mm UNLESS OTHERWISE STATED. IMPERIAL AND AUXILIARY DIMENSIONS IN BRACKETS. DIMENSIONS AND TOLERANCES APPLY TO THE MANUFACTURED PART INCLUDING ANY FINISH THIS DOCUMENT SPECIFIES. REMOVE ALL BURRS AND SHARP EDGES. FOR GENERAL MANUFACTURING INSTRUCTIONS SEE CP5-3-5. FOR EXPLANATION OF DRAWING TERMS AND SYMBOLS REFER TO BS:8888 OR BS:308		JAS767906AA		DATE 15-OCT-09	
A3 5063c-5		© e2v technologies (uk) ltd 2009. A Limited Company Registered in England No. 432014. Registered Office: 106 Waterhouse Lane, Chelmsford CMI 2QU, UK. Holding Company: e2v technologies plc. This document is supplied by e2v technologies (uk) ltd on the express understanding that it is to be treated as confidential and that it may not be copied, used or disclosed to others in whole or in part for any purpose except as authorised in writing by e2v technologies (uk) ltd.			