

Tire buffer

Valid from Serial No. C-00001 to Z-99999

Model:

CP871C

CP873C



	 WARNING
	<p>To reduce risk of injury, everyone using, installing, repairing, maintaining, changing accessories on, or working near this tool MUST read and understand these instructions before performing any such task.</p> <p>DO NOT DISCARD - GIVE TO USER</p>



	CP871C	CP873C
Free Speed	22000	3000
Power (W)	350	350
Power (hp)	0.47	0.47
Chuck Size (")	3/8	7/16
Chuck Size (mm)	10	11
Air Consumption (cfm)	1.9	1.9
Air Consumption (l/s)	3.90	3.90
Air Inlet (")	1/4 NPT	1/4 NPT
Weight (kg)	0.75	1.02
Weight (lb)	1.65	2.25
Sound Pressure L_{pA} (dB(A))	88	87
Sound Pressure L_{WA} (dB(A))	99	98
Vibration a_{nd} (m/s ²)	4.04	<2.5
Vibration K (m/s ²)	0.89	
Length (")	7.9	8.7
Length (mm)	201	220
Diameter (")	1.8	1.8
Diameter (mm)	46	46
Height (")	3.0	3.0
Height (mm)	75	75

Table 1: Technical Specifications

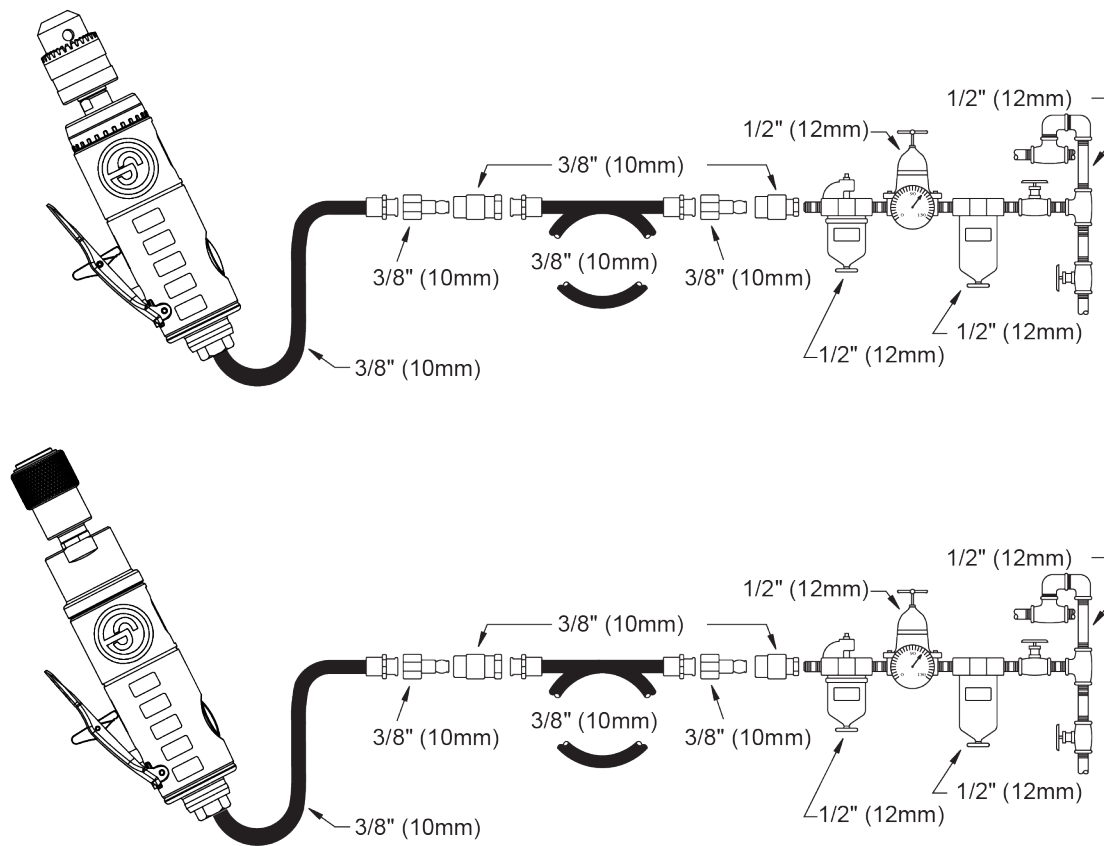


Illustration 1: Air Diagram

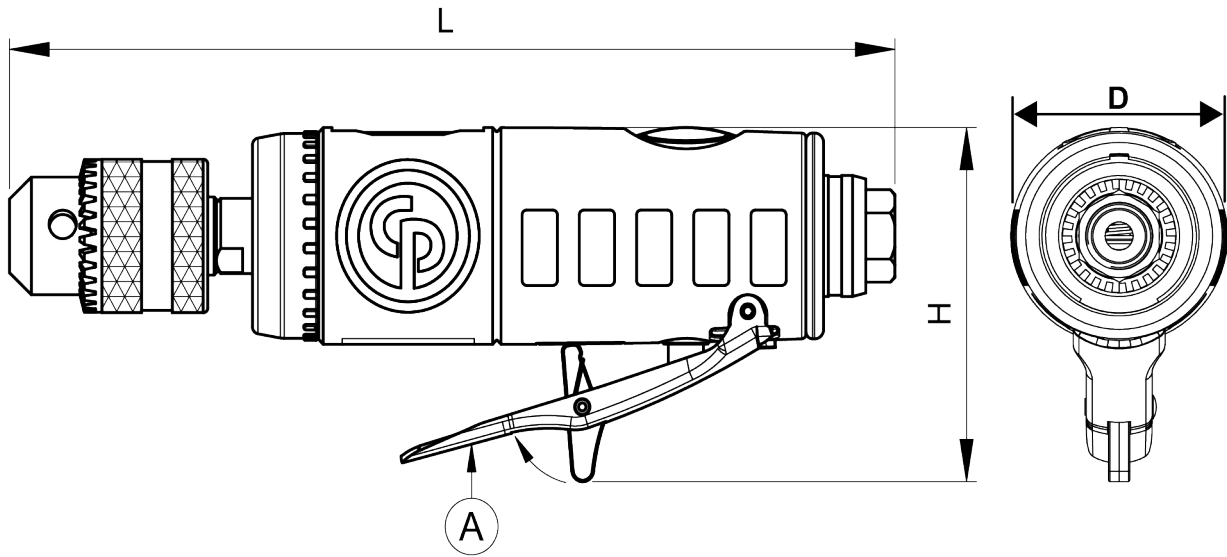


Illustration 2: CP871C

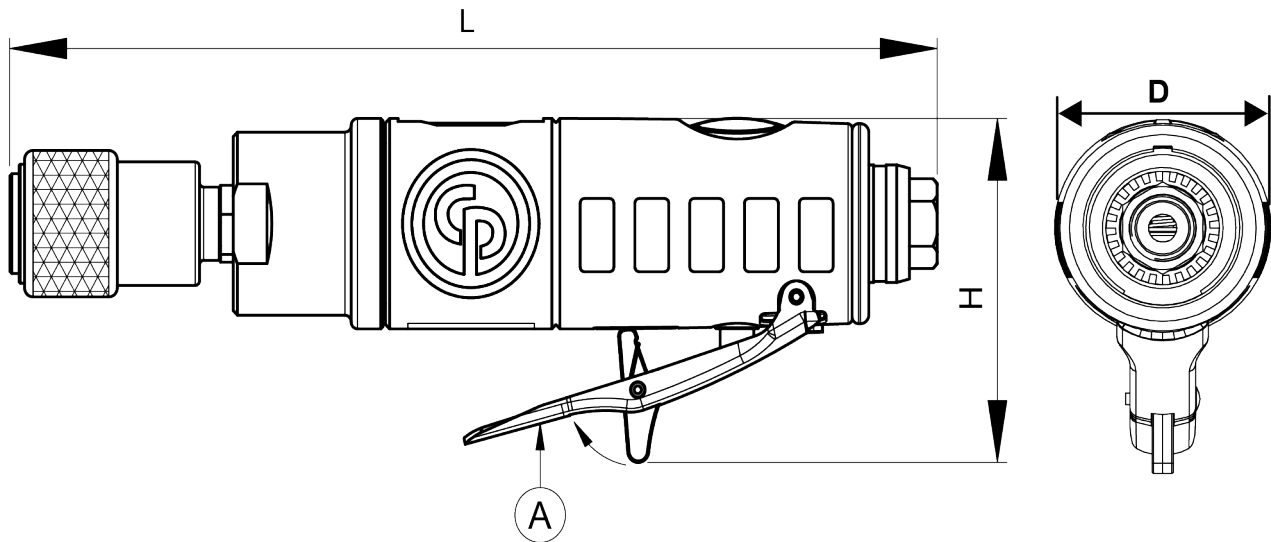


Illustration 3: CP873C

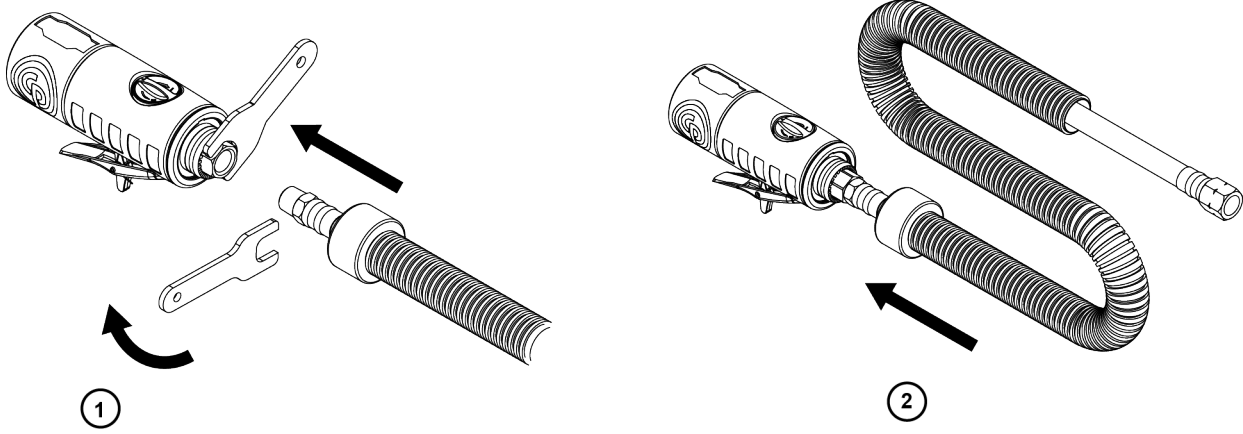


Illustration 4: Assembly of Tool with Pneumatic Hose

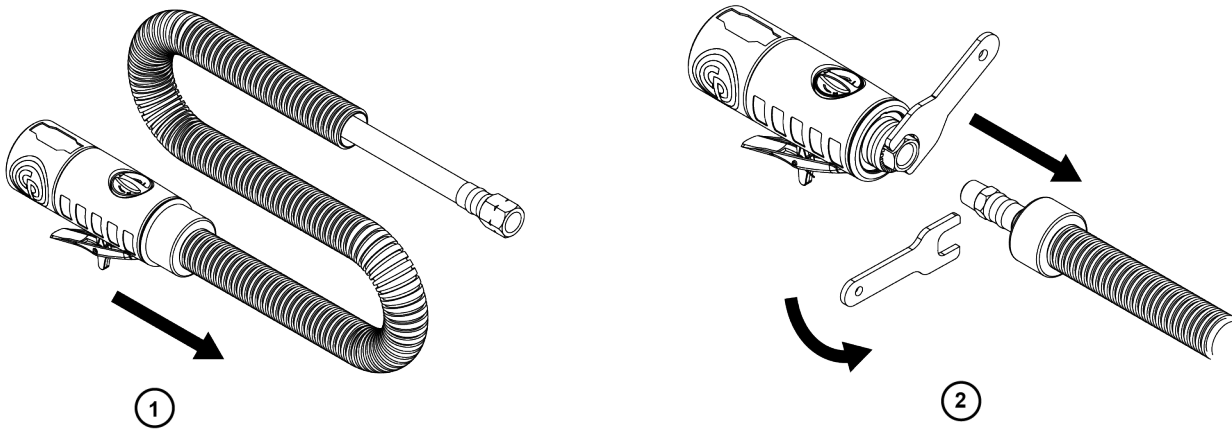


Illustration 5: Disassembly of Tool from Pneumatic Hose

Technical Data

Tool Data

	Free speed (rpm)	Air Inlet (")	Weight (kg)	Weight (lb)
CP871C	22000	1/4 NPT	0.75	1.65
CP873C	3000	1/4 NPT	1.02	2.25

Maximum working pressure

6.3 bar / 90 psig

Declarations

EU DECLARATION OF CONFORMITY

We, CHICAGO PNEUMATIC Tool Co.LLC 1815 Clubhouse Road, Rock Hill, SC 29730 - USA, declare under our sole responsibility that the product (with name, type and serial number, see front page) is in conformity with the following Directive(s):

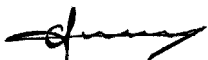
Harmonized standards applied: EN ISO 11148-3: 2013, EN ISO 11148-9: 2011

Authorities can request relevant technical information from: Pascal Roussy, R&D Manager, Ets Georges Renault, 38 rue Bobby Sands, BP10273 44818 Saint Herblain, France

Saint-Herblain, 2022/03/01

Pascal ROUSSY

Signature of issuer



Noise and Vibration

These declared values were obtained by laboratory type testing in accordance with the stated standards and are suitable for comparison with the declared values of other tools tested in accordance with the same standards. These declared values are not adequate for use in risk assessments and values measured in individual work places may be higher. The actual exposure values and risk of harm experienced by an individual user are unique and depend upon the way the user works, the workpiece and the workstation design, as well upon the exposure time and the physical condition of the user.

We, CHICAGO PNEUMATIC Tool Co.LLC, cannot be held liable for the consequences of using the declared values, instead of values reflecting the actual exposure, in an individual risk assessment in a work place situation over which we have no control.

This tool may cause hand-arm vibration syndrome if its use is not adequately managed. An EU guide to managing hand-arm vibration can be found by accessing <http://www.pneurop.eu/index.php> and selecting 'Tools' then 'Legislation'.

We recommend a programme of health surveillance to detect early symptoms which may relate to noise or vibration exposure, so that management procedures can be modified to help prevent future impairment.

- ⓘ If this equipment is intended for fixtured applications: The noise emission is given as a guide to the machine-builder. Noise and vibration emission data for the complete machine should be given in the instruction manual for the machine.

UK Declaration of Conformity

We CHICAGO PNEUMATIC Tool Co.LLC 1815 Clubhouse Road, Rock Hill, SC 29730 - USA, declare under our sole responsibility that the product (with name, type and serial number, see front page) is in conformity with the following UK Regulation(s):



Supply of Machinery (Safety) Regulations 2008

Designated Standards applied:

EN ISO 11148-3: 2013, EN ISO 11148-9: 2011

Saint-Herblain, 2022/03/01

Pascal ROUSSY

Signature of issuer



Authorities can request relevant technical information from:

UK Authorized Representative:

Air Compressors & Tools Ltd
Zodiac – Unit 4, Boundary way
Hemel Hempstead Industrial Estate, HP27SJ Hempsstead
Hertfordshire – UK
Contact: M.Taylor

Regional Requirements

⚠ WARNING

This product can expose you to chemicals including lead, which is known to the State of California to cause cancer and birth defects or other reproductive harm. For more information go to

<https://www.p65warnings.ca.gov/>

Safety

DO NOT DISCARD - GIVE TO USER

⚠ WARNING Read all safety warnings, instructions, illustrations and specifications provided with this product.

Failure to follow all instructions listed below may result in electric shock, fire, property damage and/or serious injury.

Save all warnings and instructions for future reference.

⚠ WARNING All locally legislated safety rules regarding installation, operation and maintenance shall be respected at all times.

Statement of Use

- For professional use only.
- This product and its accessories must not be modified in any way.
- Do not use this product if it has been damaged.
- If the product data or hazard warning signs on the product cease to be legible or become detached, replace without delay.
- The product must only be installed, operated and serviced by qualified personnel in an industrial environment.

Intended Use

Power tool equipped with slip chuck and 3/8 in.-24 adapter or drill chuck for use with various rasps for tire repair - No other use is permitted.

Use

Installation / Operation

1. Fix the accessories properly to the tool.
2. Connect device as shown in Fig. 01.
3. To start the machine, pull the trigger (A). Machine speed is increase by increasing pressure on the trigger. Release the trigger to stop.

Maintenance instructions

- Follow local country environmental regulations for safe handling and disposal of all components.
- Maintenance and repair work must be carried out by qualified personnel using only original spare parts. Contact the manufacturer or your nearest authorised dealer for advice on technical service or if you require spare parts.
- Always ensure that the machine is disconnected from energy source to avoid accidental operation.
- Disassemble and inspect the tool every three 3 months (500 hours) if the tool is used every day. Replace damaged or worn parts.
- The safety screw should be replaced when damaged, and in any case replaced during maintenance operations (every 500 hours).

- To keep downtime to a minimum, the following service kit is recommended : **Tune-up kit**

Disposal

1. The disposal of this equipment must follow the legislation of the respective country.
2. All damaged, badly worn or improperly functioning devices **MUST BE TAKEN OUT OF OPERATION.**

Useful Information

Safety Data Sheet

The Safety Data Sheets describe the chemical products sold by Chicago Pneumatic.

Please consult the Chicago Pneumatic website for more information qr.cp.com/sds.

Country of Origin

Taiwan

Copyright

© Copyright 2022, CHICAGO PNEUMATIC Tool Co.LLC, 1815 Clubhouse Road, Rock Hill, SC 29730 - USA

All rights reserved. Any unauthorized use or copying of the contents or part thereof is prohibited. This applies in particular to trademarks, model denominations, part numbers and drawings. Use only authorized parts. Any damage or malfunction caused by the use of unauthorised parts is not covered by Warranty or Product Liability.

Caractéristiques techniques

Données de l'outil

	Vitesse libre (tr/ min)	Arrivée d'air (")	Poids (kg)	Poids (lb)
CP871C	22000	1/4 NPT	0,75	1,65
CP873C	3000	1/4 NPT	1,02	2,25

Pression de service maximum

6.3 bar / 90 psig

Déclarations

DÉCLARATION DE CONFORMITÉ UE

Nous, CHICAGO PNEUMATIC Tool Co.LLC, 1815 Clubhouse Road, Rock Hill, SC 29730 - USA, déclarons sous notre seule et entière responsabilité que le produit (dont le nom, le type et le numéro de série figurent en première page) est en conformité avec la ou les directives suivantes :