



LED MR16

7MR16/LED/827/F35/DIM 12V 10/1FB

Philips LED MR-16 lamps with single optic technology provide the look and color quality of traditional halogens while using a fraction of the energy. A perfect fit for spot lighting, they are compatible with most existing fixtures with MR16 GU5.3 holders and are designed as a retrofit replacement for halogen or incandescent spots.

Product data

General information		Wattage Equivalent	
Base	GU5.3 [GU5.3]	Wattage Equivalent	50 W
EU RoHS compliant	Yes	Starting Time (Nom)	0.5 s
Nominal Lifetime (Nom)	25000 h	Warm Up Time to 60% Light (Nom)	0.5 s
Switching Cycle	50000	Power Factor (Nom)	0.7
Voltage (Nom)		ac electronic 12 V	
Light technical		Temperature	
Color Code	827 [CCT of 2700K]	T-Case Maximum (Nom)	194 °F
Beam Angle (Nom)	35 °	Controls and dimming	
Initial lumen (Nom)	515 lm	Dimmable	Only with specific dimmers
Luminous Intensity (Nom)	1350 cd	Mechanical and housing	
Color Designation	Warm White (WW)	Bulb Finish	Clear
Correlated Color Temperature (Nom)	2700 K	Bulb Material	Aluminum
Luminous Efficacy (rated) (Nom)	73.00 lm/W	Bulb Shape	MR16 [2inch/50mm]
Color Consistency	<4	Approval and application	
Color Rendering Index (Nom)	80	Suitable For Accent Lighting	Yes
LLMF At End Of Nominal Lifetime (Nom)	70 %	Energy Certifications	Energy Star
Operating and electrical			
Input Frequency	- Hz		
Power (Rated) (Nom)	7 W		
Lamp Current (Nom)	650 mA		

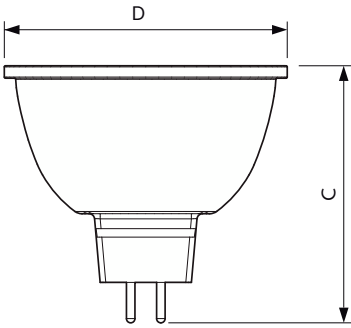
LED MR16

Product data

Order product name	7MR16/LED/827/F35/DIM 12V 10/1FB
EAN/UPC - Product	046677573881
Order code	573881
Numerator - Quantity Per Pack	1

Numerator - Packs per outer box	10
Material Nr. (12NC)	929003076404
Net Weight (Piece)	0.132 lb

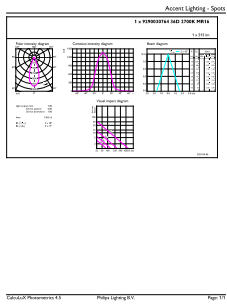
Dimensional drawing



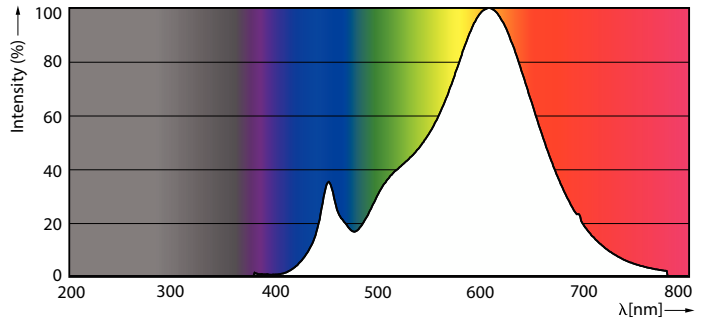
7MR16/LED/827/F35/DIM 12V 10/1FB

Product	D	C
7MR16/LED/827/F35/DIM 12V 10/1FB	2 in	1-7/8 in

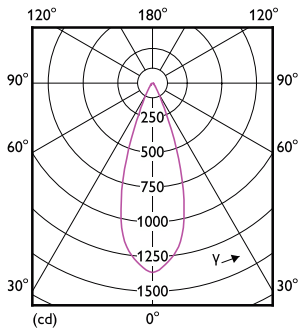
Photometric data



LEDspots DIM IC 7W MR16 GU5,3 827 35D-ADL



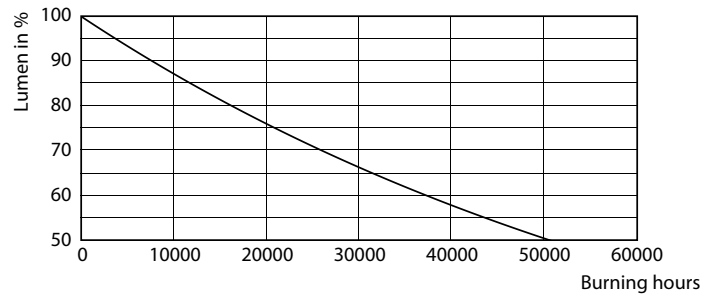
LEDspots DIM IC 7W MR16 GU5,3 827 25D-POC



LEDspots DIM IC 7W MR16 GU5,3 827 35D-LDD

LED MR16

Lifetime



Life Expectancy Diagram

Lumen Maintenance Diagram

