



LED MR16

7.8MR16/PER/930/F25/Dim/EC/12V 10/1FB

Philips LED MR-16 lamps with single optic technology provide the look and color quality of traditional halogens while using a fraction of the energy. A perfect fit for spot lighting, they are compatible with most existing fixtures with MR16 GU5.3 holders and are designed as a retrofit replacement for halogen or incandescent spots.

Product data

General information		Wattage Equivalent	
Base	GU5.3 [GU5.3]		50 W
EU RoHS compliant	Yes	Starting Time (Nom)	0.5 s
Nominal Lifetime (Nom)	25000 h	Warm Up Time to 60% Light (Nom)	0.5 s
Switching Cycle	50000	Power Factor (Nom)	0.7
		Voltage (Nom)	ac electronic 12 V
Light technical		Temperature	
Color Code	930 [CCT of 3000K]	T-Case Maximum (Nom)	199.4 °F
Beam Angle (Nom)	25 °		
Initial lumen (Nom)	480 lm	Controls and dimming	
Luminous Intensity (Nom)	2330 cd	Dimmable	Only with specific dimmers
Color Designation	White (WH)		
Correlated Color Temperature (Nom)	3000 K	Mechanical and housing	
Luminous Efficacy (rated) (Nom)	61.00 lm/W	Bulb Finish	Clear
Color Consistency	<3	Bulb Material	Aluminum
Color Rendering Index (Nom)	95	Bulb Shape	MR16 [2inch/50mm]
LLMF At End Of Nominal Lifetime (Nom)	70 %		
Operating and electrical		Approval and application	
Input Frequency	- Hz	Suitable For Accent Lighting	Yes
Power (Rated) (Nom)	7.8 W	Energy Certifications	Energy Star
Lamp Current (Nom)	720 mA		

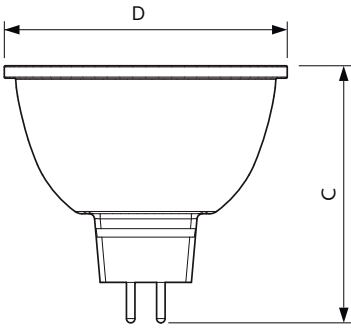
LED MR16

Product data

Order product name	7.8MR16/PER/930/F25/Dim/EC/12V 10/1FB
EAN/UPC - Product	046677573614
Order code	573618
Numerator - Quantity Per Pack	1

Numerator - Packs per outer box	10
Material Nr. (12NC)	929003081104
Net Weight (Piece)	0.115 lb

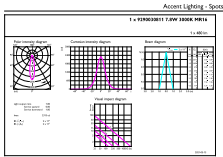
Dimensional drawing



7.8MR16/PER/930/F25/Dim/EC/12V 10/1FB

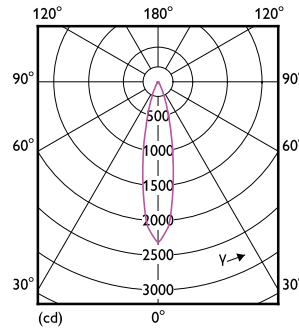
Product	D	C
7.8MR16/PER/930/F25/Dim/EC/12V 10/1FB	2 in	1-13/16 in

Photometric data

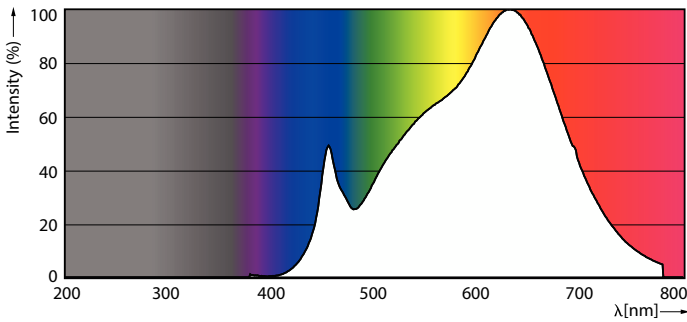


Manufacturer: Philips Lighting B.V. Age: 11

LEDspots DIM IC 7,8W MR16 GU5,3 930 25D-ADL



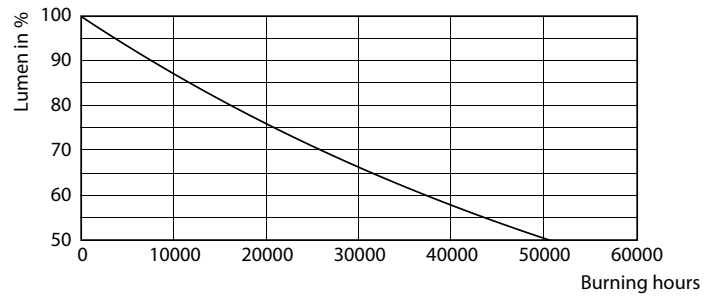
LEDspots DIM IC 7,8W MR16 GU5,3 927 25D-LDD



LEDspots DIM IC 7,8W MR16 GU5,3 930 10D-POC

LED MR16

Lifetime



Life Expectancy Diagram

Lumen Maintenance Diagram

