



LED MR16

7.8MR16/PER/927/F35/Dim/EC/12V 10/1FB

Philips LED MR-16 lamps with single optic technology provide the look and color quality of traditional halogens while using a fraction of the energy. A perfect fit for spot lighting, they are compatible with most existing fixtures with MR16 GU5.3 holders and are designed as a retrofit replacement for halogen or incandescent spots.

Product data

General information		Wattage Equivalent	
Base	GU5.3 [GU5.3]		50 W
EU RoHS compliant	Yes	Starting Time (Nom)	0.5 s
Nominal Lifetime (Nom)	25000 h	Warm Up Time to 60% Light (Nom)	0.5 s
Switching Cycle	50000	Power Factor (Nom)	0.7
		Voltage (Nom)	ac electronic 12 V
Light technical		Temperature	
Color Code	927 [CCT of 2700K]	T-Case Maximum (Nom)	199.4 °F
Beam Angle (Nom)	35 °		
Initial lumen (Nom)	480 lm	Controls and dimming	
Luminous Intensity (Nom)	1320 cd	Dimmable	Only with specific dimmers
Color Designation	Warm White (WW)		
Correlated Color Temperature (Nom)	2700 K	Mechanical and housing	
Luminous Efficacy (rated) (Nom)	61.00 lm/W	Bulb Finish	Clear
Color Consistency	<3	Bulb Material	Aluminum
Color Rendering Index (Nom)	95	Bulb Shape	MR16 [2inch/50mm]
LLMF At End Of Nominal Lifetime (Nom)	70 %		
Operating and electrical		Approval and application	
Input Frequency	- Hz	Suitable For Accent Lighting	Yes
Power (Rated) (Nom)	7.8 W	Energy Certifications	Energy Star
Lamp Current (Nom)	720 mA		

LED MR16

Product data

Order product name	7.8MR16/PER/927/F35/Dim/EC/12V 10/1FB
EAN/UPC - Product	046677573638
Order code	573634
Numerator - Quantity Per Pack	1

Numerator - Packs per outer box 10

Material Nr. (12NC)

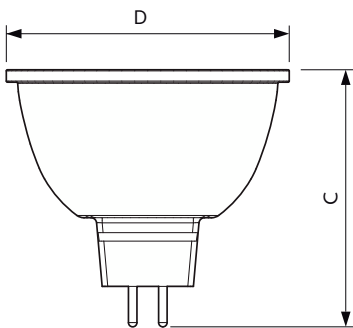
10

929003081304

Net Weight (Piece)

0.115 lb

Dimensional drawing



7.8MR16/PER/927/F35/Dim/EC/12V 10/1FB

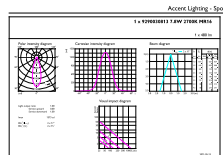
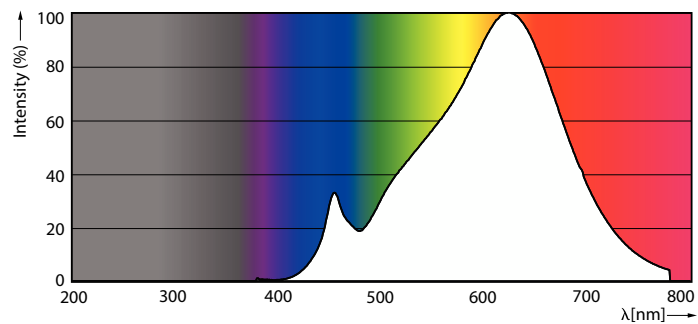
Product

D C

7.8MR16/PER/927/F35/Dim/EC/12V 10/1FB

2 in 1-13/16 in

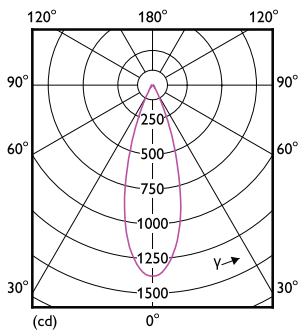
Photometric data



LEDspotlights 11 11/16 in 11/16 in 11/16 in 11/16 in 11/16 in 11/16 in

LEDspots DIM IC 7,8W MR16 GU5,3 927 10D-POC

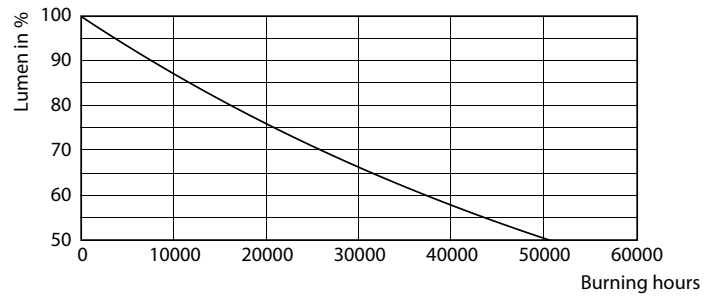
LEDspots DIM IC 7,8W MR16 GU5,3 927 35D-ADL



LEDspots DIM IC 7,8W MR16 GU5,3 927 35D-LDD

LED MR16

Lifetime



Life Expectancy Diagram

Lumen Maintenance Diagram

