

500 Volts gG/gL NH Fuse links



Product description

Eaton's Bussmann® series 500 Volts NH square bodied industrial fuse links are suitable for a wide variety of applications.

Standard features

- Reliable dual indicator system
- Low temperature rise
- Globally compliant
- Compatible with Eaton's Bussmann series NH fuse bases and NH fuse gear

Catalogue symbol

- (amp)NHG(size)B with metal gripping lugs
- (amp)NHG(size)BI with insulated metal gripping lugs

Fuse size

- 000 to 4

Technical data

- Volts: 500 V a.c.
- Amps: 2 to 1250 A
- Breaking capacity: 120 kA a.c.
- Operating frequency: 45-62 Hz
- Class of operation: gG/gL

Standards/Approvals

- IEC 60269
- VDE 0636
- DIN 43620
- CE

Packaging:

- Sizes 000 to 3: 3 per carton
- Size 4: 1 per carton

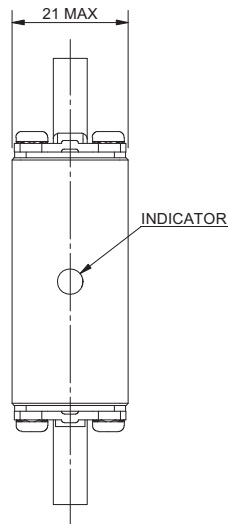
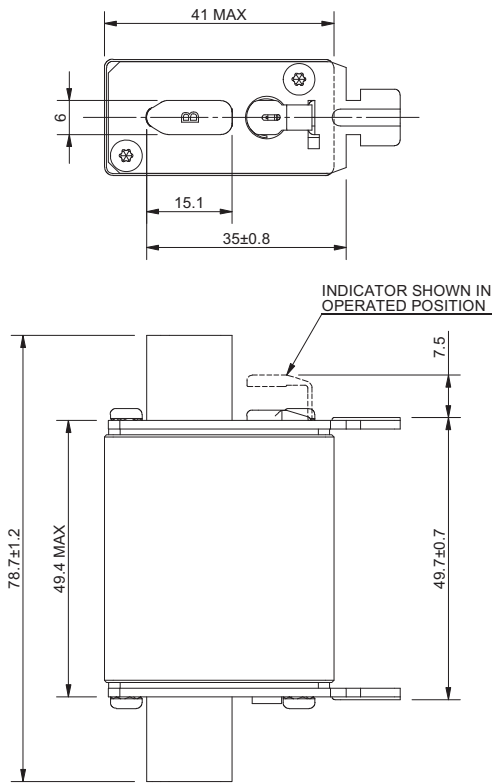
Optional microswitches

NH Fuse body size	Suitable microswitch
Size 000	170H0236
Size 00	170H0236
Size 0	170H0236
Size 01	170H0235
Size 1	170H0236
Size 02	BVL50
Size 2	170H0235 or 170H0236
Size 03	BVL50
Size 3	170H0235
Size 4	Not available

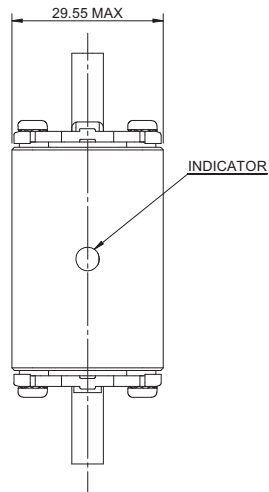
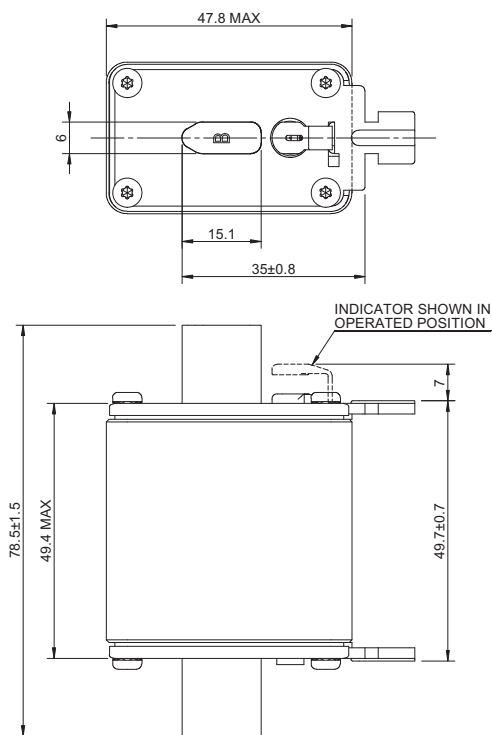
Compatible fuse holders and fuse gear (ordered separately)

Description	Type	Data sheet number
Fuse bases 1-pole	DIN-Rail mounting SD-D	10163
	Screw mounting SD-S	10163
Fuse bases 3-pole	DIN-Rail mounting TD-D	10163
Fuse bases accessories	IP20, Shroud and phase barriers kits	10163
Fuse rails	Vertical - EBF	10240
Fuse switch disconnectors	Vertical - EBV	10275
	Horizontal - EBH Size 000	10292
	Horizontal - EBH Size 00 to 4	10293

NH Fuse links dimensions - mm

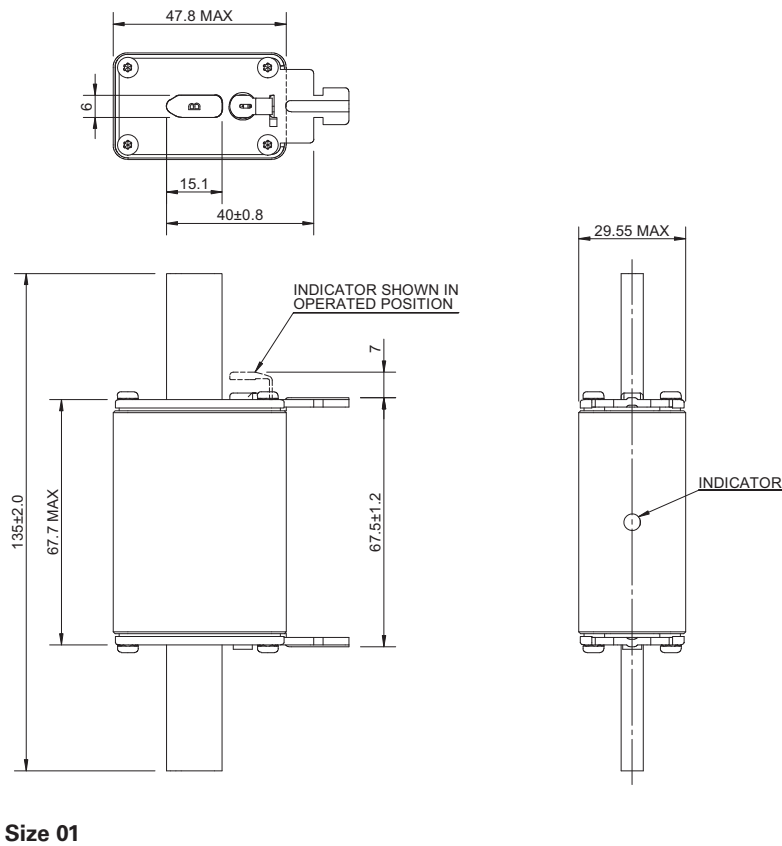
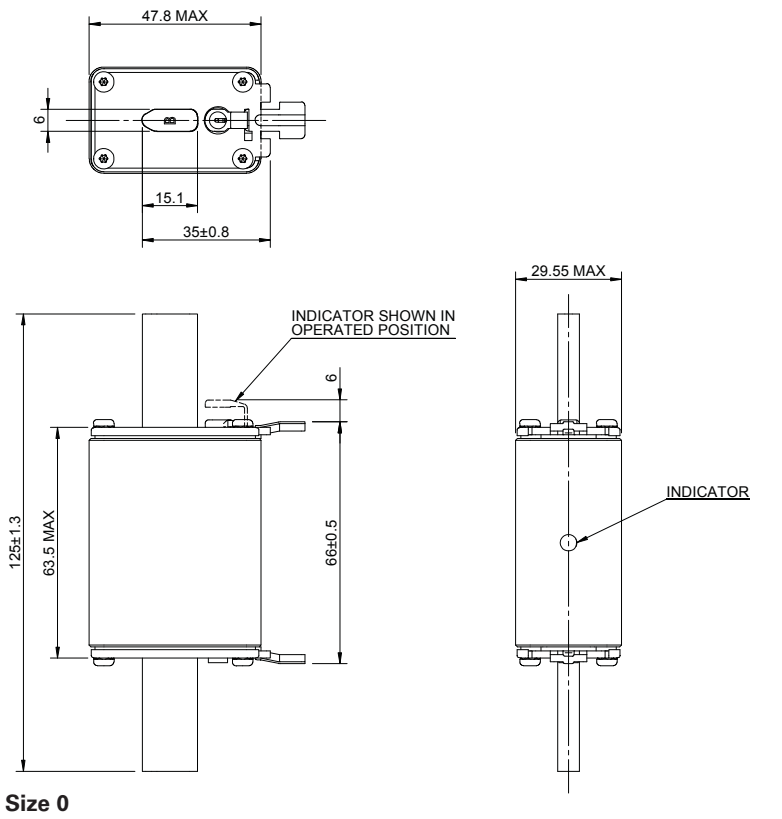


Size 000

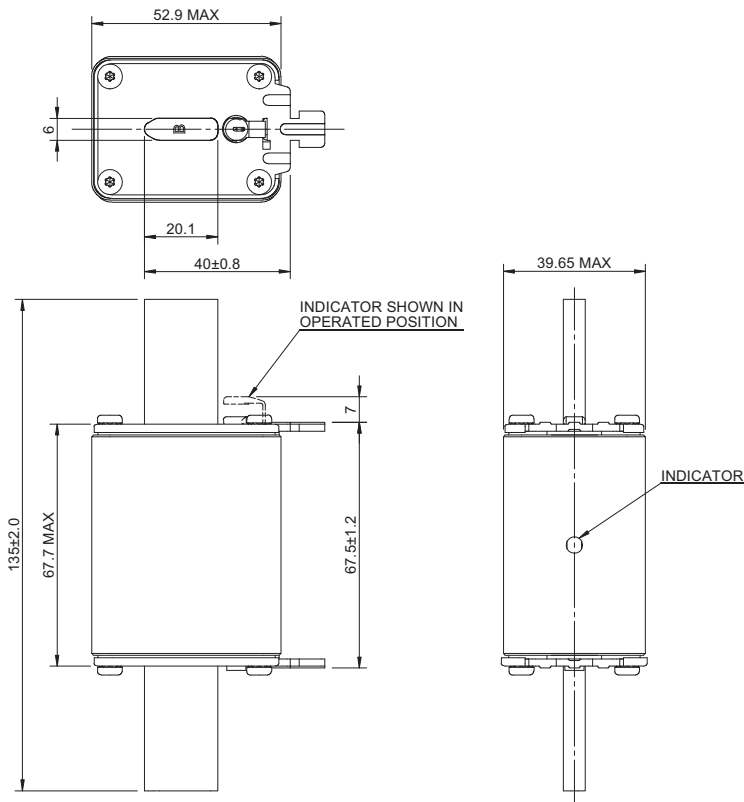


Size 00

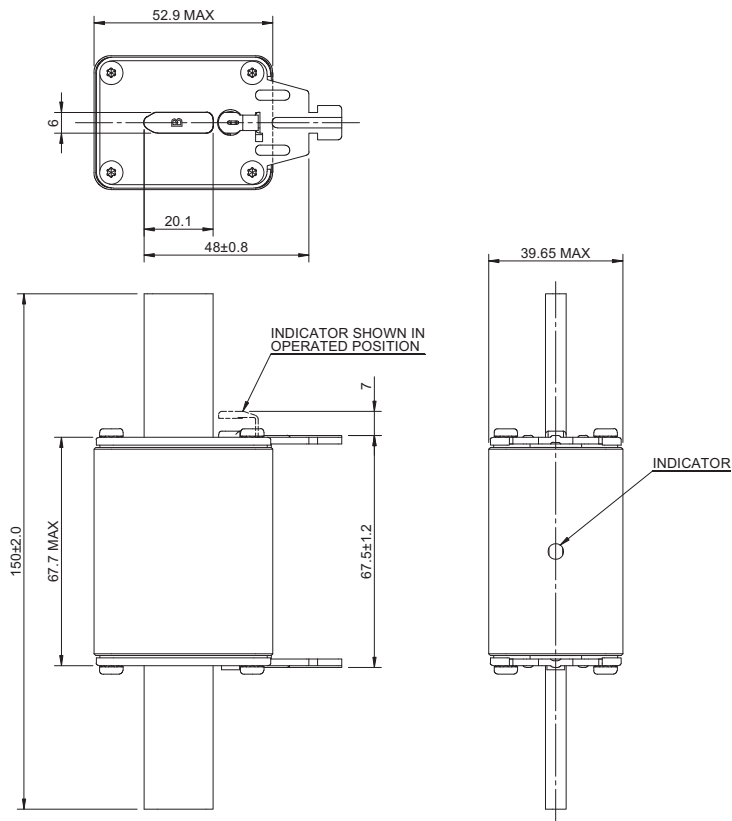
NH Fuse links dimensions - mm



NH Fuse links dimensions - mm

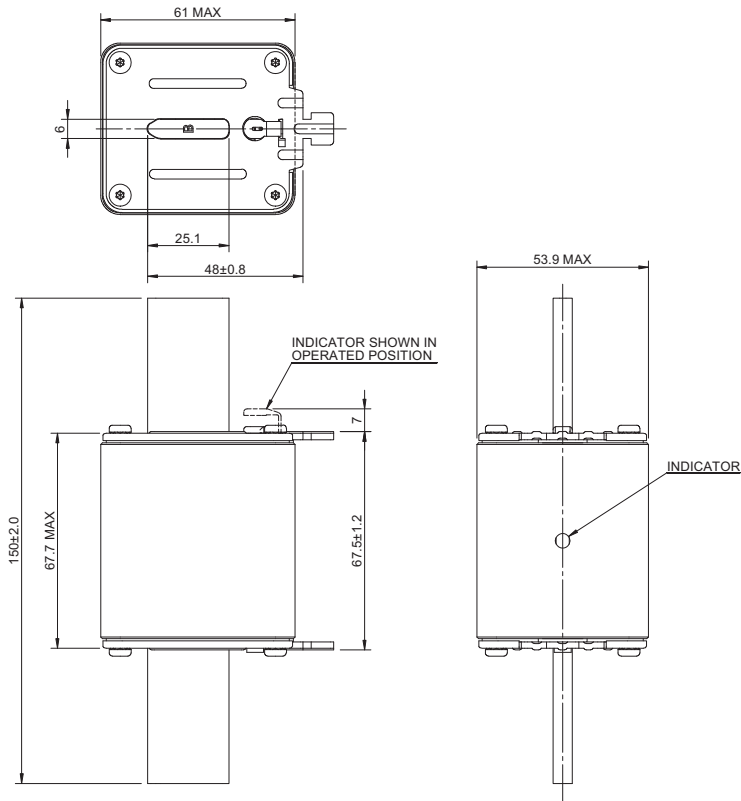


Size 1

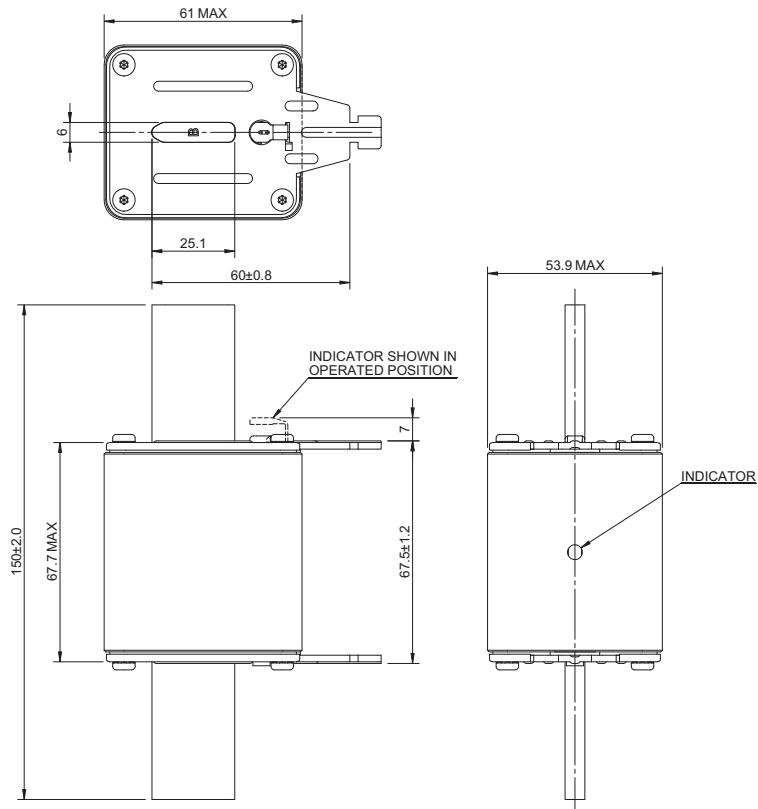


Size 02

NH Fuse links dimensions - mm

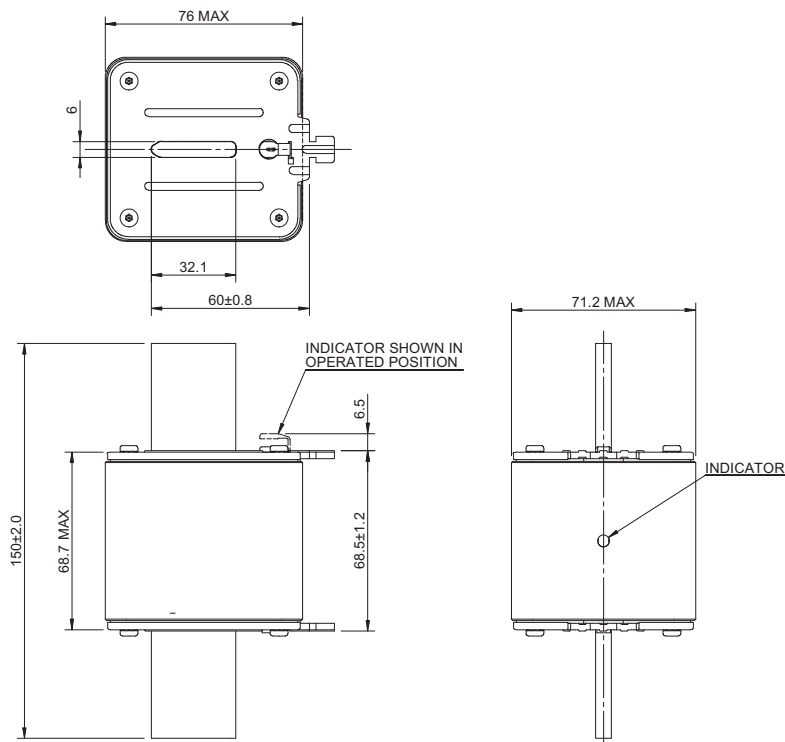


Size 2



Size 03

NH Fuse links dimensions - mm



Size 3

Please contact buletechnical@eaton.com for size 4 500 V a.c. dimensions

500 Volts gG/gL NH Fuse links

Table 1. Catalogue numbers sizes 000 to 01

Size	Rated current (Amps)	Rated voltage (V a.c.)	gG/gL dual indicator		Pack quantity
			Voltage conducting metal gripping lugs	Insulated metal gripping lugs	
000	2	500	2NHG000B	2NHG000BI	3
000	4	500	4NHG000B	4NHG000BI	3
000	6	500	6NHG000B	6NHG000BI	3
000	10	500	10NHG000B	10NHG000BI	3
000	16	500	16NHG000B	16NHG000BI	3
000	20	500	20NHG000B	20NHG000BI	3
000	25	500	25NHG000B	25NHG000BI	3
000	32	500	32NHG000B	32NHG000BI	3
000	35	500	35NHG000B	35NHG000BI	3
000	40	500	40NHG000B	40NHG000BI	3
000	50	500	50NHG000B	50NHG000BI	3
000	63	500	63NHG000B	63NHG000BI	3
000	80	500	80NHG000B	80NHG000BI	3
000	100	500	100NHG000B	100NHG000BI	3
00	16	500	16NHG00B	-	3
00	20	500	20NHG00B	-	3
00	25	500	25NHG00B	-	3
00	32	500	32NHG00B	-	3
00	35	500	35NHG00B	-	3
00	50	500	50NHG00B	50NHG00BI*	3
00	63	500	63NHG00B	63NHG00BI*	3
00	80	500	80NHG00B	80NHG00BI*	3
00	100	500	100NHG00B	100NHG00BI*	3
00	125	500	125NHG00B	125NHG00BI	3
00	160	500	160NHG00B	160NHG00BI	3
0	6	500	6NHGOB	-	3
0	10	500	10NHGOB	-	3
0	16	500	16NHGOB	-	3
0	20	500	20NHGOB	-	3
0	25	500	25NHGOB	-	3
0	32	500	32NHGOB	-	3
0	35	500	35NHGOB	-	3
0	40	500	40NHGOB	-	3
0	50	500	50NHGOB	-	3
0	63	500	63NHGOB	-	3
0	80	500	80NHGOB	-	3
0	100	500	100NHGOB	-	3
0	125	500	125NHGOB	-	3
0	160	500	160NHGOB	-	3
01	6	500	6NHG01B	6NHG01BI	3
01	10	500	10NHG01B	10NHG01BI	3
01	16	500	16NHG01B	16NHG01BI	3
01	20	500	20NHG01B	20NHG01BI	3
01	25	500	25NHG01B	25NHG01BI	3
01	32	500	32NHG01B	32NHG01BI	3
01	35	500	35NHG01B	35NHG01BI	3
01	40	500	40NHG01B	40NHG01BI	3
01	50	500	50NHG01B	50NHG01BI	3
01	63	500	63NHG01B	63NHG01BI	3
01	80	500	80NHG01B	80NHG01BI	3
01	100	500	100NHG01B	100NHG01BI	3
01	125	500	125NHG01B	125NHG01BI	3
01	160	500	160NHG01B	160NHG01BI	3

* Available upon request

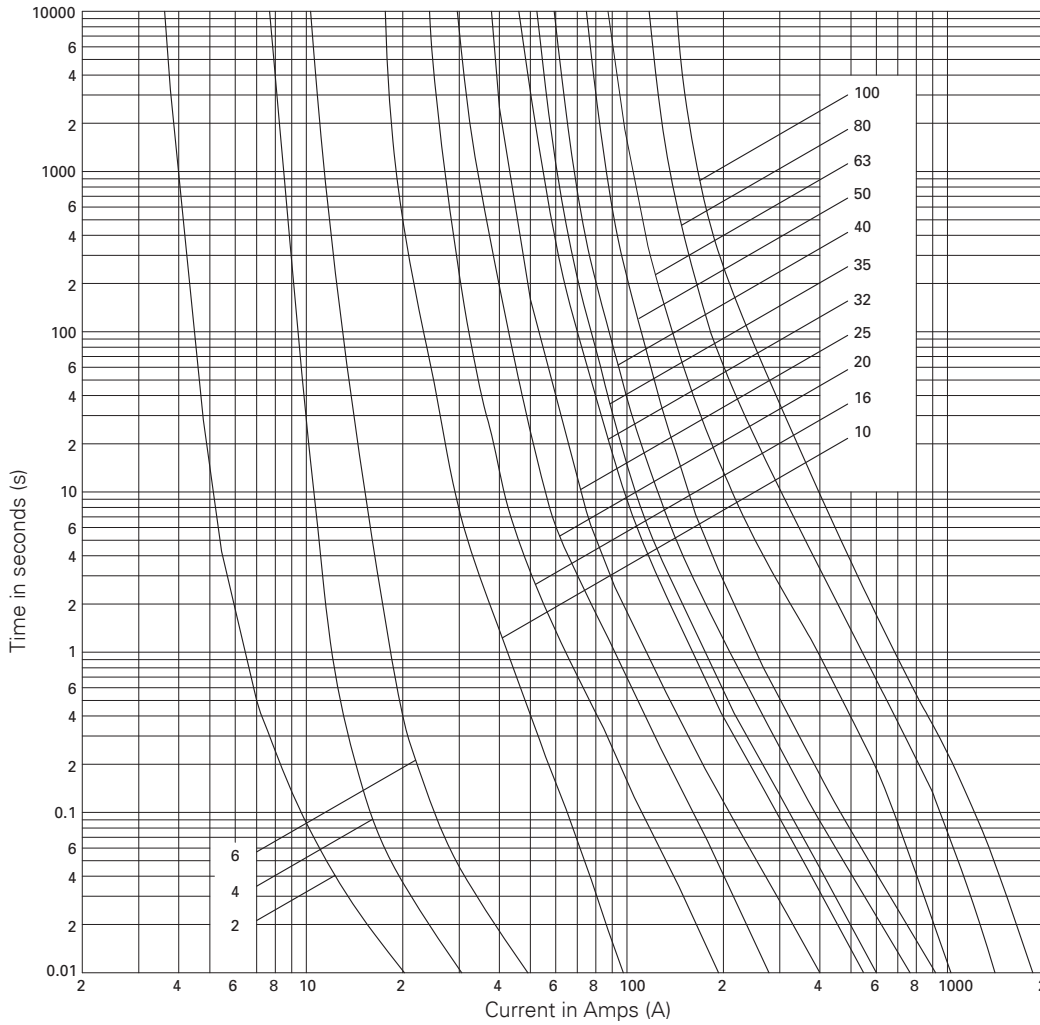
Table 2. Catalogue sizes 1 to 4

Size	Rated current (Amps)	Rated voltage (V a.c.)	gG/gL dual indicator		Pack quantity
			Voltage conducting metal gripping lugs	Insulated metal gripping lugs	
1	50	500	50NHG1B	50NHG1BI	3
1	63	500	63NHG1B	63NHG1BI	3
1	80	500	80NHG1B	80NHG1BI	3
1	100	500	100NHG1B	100NHG1BI	3
1	125	500	125NHG1B	125NHG1BI	3
1	160	500	160NHG1B	160NHG1BI	3
1	200	500	200NHG1B	200NHG1BI	3
1	224	500	224NHG1B	224NHG1BI	3
1	250	500	250NHG1B	250NHG1BI	3
1	315	440	315NHG1B	-	3
1	355	440	355NHG1B	-	3
02	35	500	35NHG02B	35NHG02BI	3
02	40	500	40NHG02B	40NHG02BI	3
02	50	500	50NHG02B	50NHG02BI	3
02	63	500	63NHG02B	63NHG02BI	3
02	80	500	80NHG02B	80NHG02BI	3
02	100	500	100NHG02B	100NHG02BI	3
02	125	500	125NHG02B	125NHG02BI	3
02	160	500	160NHG02B	160NHG02BI	3
02	200	500	200NHG02B	200NHG02BI	3
02	224	500	224NHG02B	224NHG02BI	3
02	250	500	250NHG02B	250NHG02BI	3
2	250	500	250NHG2B	250NHG2BI	3
2	300	500	300NHG2B	300NHG2BI*	3
2	315	500	315NHG2B	315NHG2BI	3
2	355	500	355NHG2B	355NHG2BI	3
2	400	500	400NHG2B	400NHG2BI	3
2	425	500	425NHG2B	-	3
2	450	500	450NHG2B	-	3
2	500	440	500NHG2B	-	3
03	250	500	250NHG03B	250NHG03BI	3
03	315	500	315NHG03B	315NHG03BI	3
03	355	500	355NHG03B	355NHG03BI	3
03	400	500	400NHG03B	400NHG03BI	3
3	315	500	315NHG3B	-	3
3	355	500	355NHG3B	-	3
3	400	500	400NHG3B	-	3
3	425	500	425NHG3B	-	3
3	500	500	500NHG3B	500NHG3BI	3
3	630	500	630NHG3B	630NHG3BI	3
3	800	440	800NHG3B	-	3
4**	500	500	500NHG4G	-	1
4**	630	500	630NHG4G	-	1
4**	800	500	800NHG4G	-	1
4**	1000	500	1000NHG4G	-	1
4**	1250	500	1250NHG4G	-	1

* Available upon request

** Single indicator and slotted end tags

Time-current curves - NH Size 000

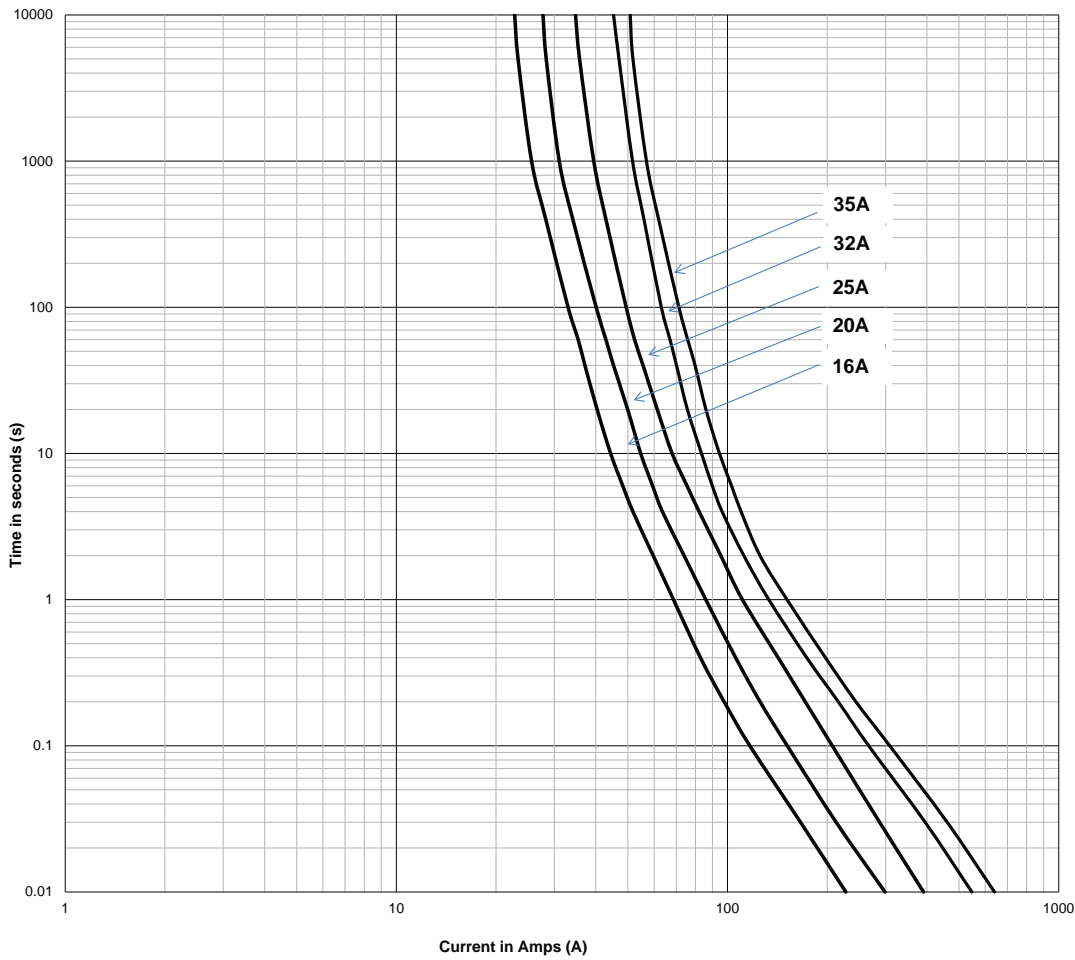


Technical data - NH size 000

Part numbers with metal gripping lugs	Part numbers with insulated metal gripping lugs	Fuse link size	Rated current (Amps)	Rated voltage (V a.c.)	I ² t (Amps ² Seconds)			Net weight per fuse (kg)
					Minimum pre-arcing	*I ₁ , 120kA at 500 V a.c.	Watts loss	
2NHG000B	2NHG000BI	000	2	500	3.5	6	3.9	0.13
4NHG000B	4NHG000BI	000	4	500	6	12	1.8	0.13
6NHG000B	6NHG000BI	000	6	500	14	21	2	0.13
10NHG000B	10NHG000BI	000	10	500	58	290	1.5	0.13
16NHG000B	16NHG000BI	000	16	500	234	1200	2.3	0.13
20NHG000B	20NHG000BI	000	20	500	490	2500	2.2	0.13
25NHG000B	25NHG000BI	000	25	500	920	4600	3.1	0.13
32NHG000B	32NHG000BI	000	32	500	1800	9000	3.4	0.13
35NHG000B	35NHG000BI	000	35	500	2400	11,800	3.7	0.13
40NHG000B	40NHG000BI	000	40	500	3300	16,500	4	0.13
50NHG000B	50NHG000BI	000	50	500	5900	29,500	4.9	0.13
63NHG000B	63NHG000BI	000	63	500	6300	24,900	4.6	0.13
80NHG000B	80NHG000BI	000	80	500	9800	38,900	6.3	0.13
100NHG000B	100NHG000BI	000	100	500	18,100	72,300	7.4	0.13

*I₁ is the maximum breaking capacity test at rated voltage according to IEC 60269 requirements

Time-current curves - NH Size 00 16 to 35 Amps



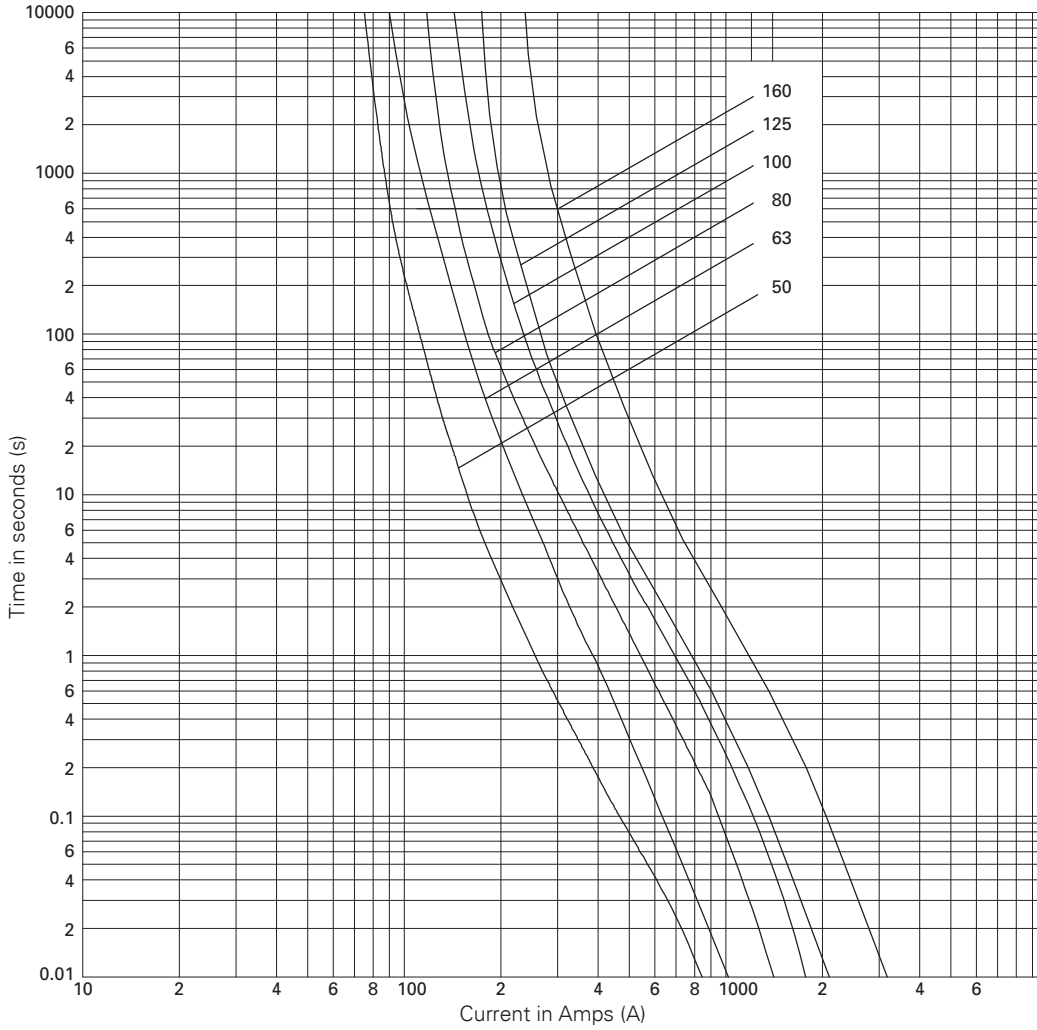
Technical data - NH size 00

Part numbers with metal gripping lugs	Fuse link size	Rated current (Amps)	Rated voltage (V a.c.)	I ² t (Amps ² Seconds)			Net weight per fuse (kg)
				Minimum pre-arcing	*I ₁ , 120kA at 500 V a.c.	Watts loss	
16NHG00B	00	16	500	200	800	2.2	0.19
20NHG00B	00	20	500	425	1690	2.5	0.19
25NHG00B	00	25	500	870	3460	3	0.19
32NHG00B	00	32	500	1700	6750	3.5	0.19
35NHG00B	00	35	500	2100	8400	4	0.19

*I₁ is the maximum breaking capacity test at rated voltage according to IEC 60269 requirements

** Available upon request

Time-current curves - NH Size 00 50 to 160 Amps



Technical data - NH size 00

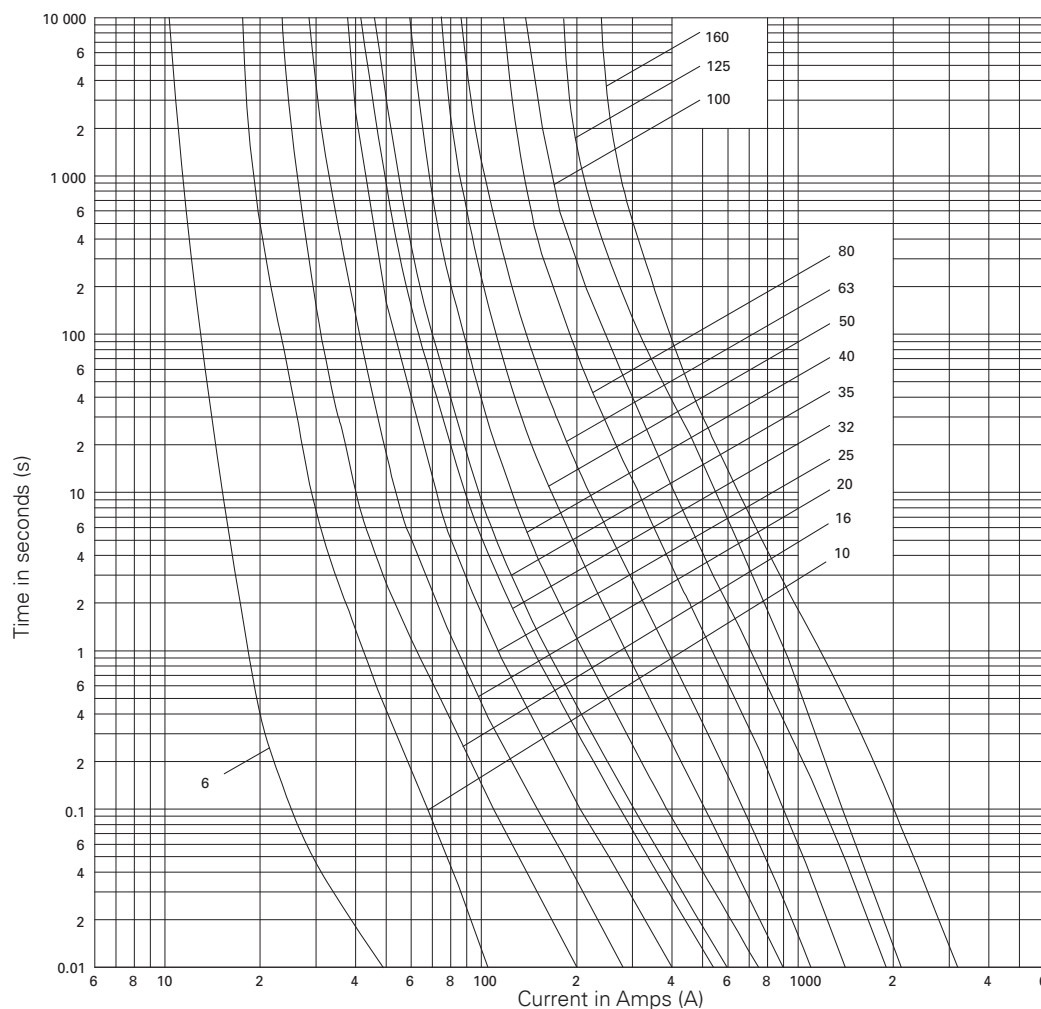
Part numbers with metal gripping lugs	Part numbers with insulated metal gripping lugs	Fuse link size	Rated current (Amps)	Rated voltage (V a.c.)	I ² t (Amps ² Seconds)		Watts loss	Net weight per fuse (kg)
					Minimum pre-arcing	*I ₁ 120kA at 500 V a.c.		
50NHG00B	50NHG00BI**	00	50	500	5800	21,500	5	0.19
63NHG00B	63NHG00BI**	00	63	500	5800	25,000	5	0.19
80NHG00B	80NHG00BI**	00	80	500	11,000	35,000	7	0.19
100NHG00B	100NHG00BI**	00	100	500	19,000	60,000	7.5	0.19
125NHG00B	125NHG00BI	00	125	500	25,000	125,000	10	0.19
160NHG00B	160NHG00BI	00	160	500	64,000	310,000	10	0.19

*I₁ is the maximum breaking capacity test at rated voltage according to IEC 60269 requirements

** Available upon request

500 Volts gG/gL NH Fuse links

Time-current curves - NH Size 0

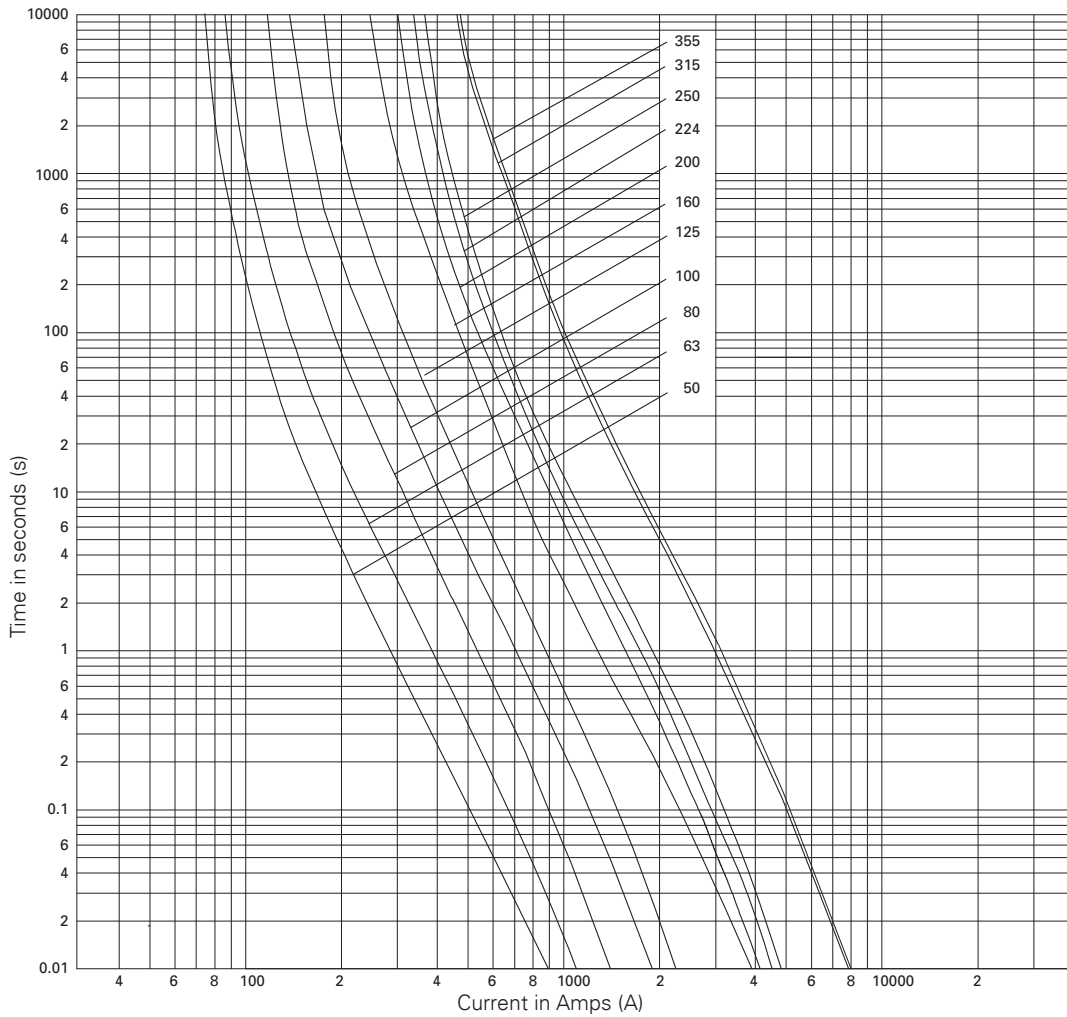


Technical data - NH size 0

Part numbers with metal gripping lugs	Fuse link size	Rated current (Amps)	Rated voltage (V a.c.)	I ² t (Amps ² Seconds)			Net weight per fuse (kg)
				Minimum pre-arcing	*I ₁ 120kA at 500 V a.c.	Watts loss	
6NHGOB	0	6	500	14	21	2	0.26
10NHGOB	0	10	500	58	290	2	0.26
16NHGOB	0	16	500	240	1200	3	0.26
20NHGOB	0	20	500	490	2500	3.5	0.26
25NHGOB	0	25	500	1200	5600	3.2	0.26
32NHGOB	0	32	500	1800	9000	4.8	0.26
35NHGOB	0	35	500	2400	11,800	4.7	0.26
40NHGOB	0	40	500	3300	16,500	5	0.26
50NHGOB	0	50	500	5600	27,800	6.3	0.26
63NHGOB	0	63	500	6600	26,100	5.6	0.26
80NHGOB	0	80	500	9800	38,900	7.1	0.26
100NHGOB	0	100	500	20,600	82,300	7.5	0.26
125NHGOB	0	125	500	25,000	125,000	11.8	0.26
160NHGOB	0	160	500	62,000	310,000	12.3	0.26

*I₁ is the maximum breaking capacity test at rated voltage according to IEC 60269 requirements

Time-current curves - NH Size 01

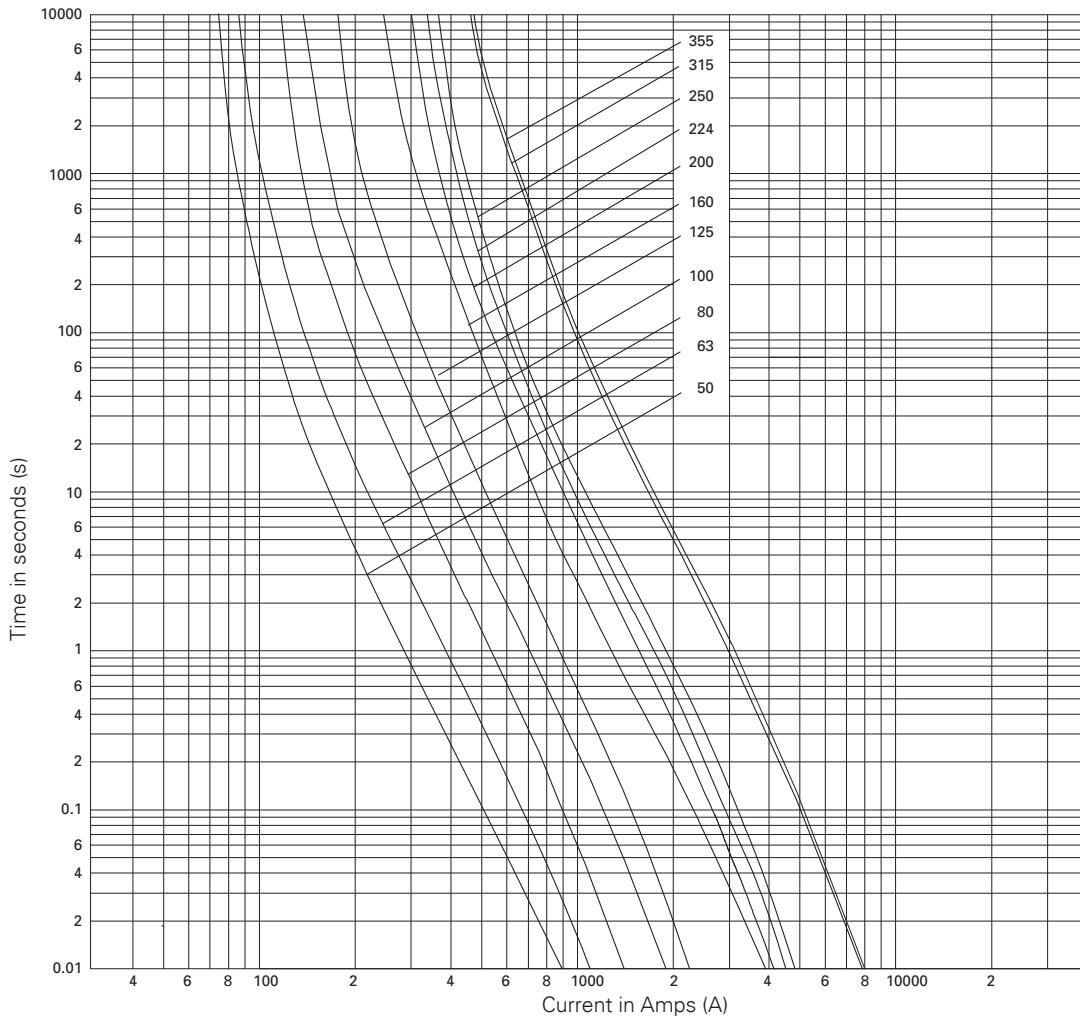


Technical data - NH size 01

Part numbers with metal gripping lugs	Part numbers with insulated metal gripping lugs	Fuse link size	Rated current (Amps)	Rated voltage (V a.c.)	I ² t (Amps ² Seconds)			Net weight per fuse (kg)
					Minimum pre-arcing	*I ₁ 120kA at 500 V a.c.	Watts loss	
6NHG01B	6NHG01BI	01	6	500	14	21	2	0.27
10NHG01B	10NHG01BI	01	10	500	58	290	2	0.27
16NHG01B	16NHG01BI	01	16	500	240	1200	3	0.27
20NHG01B	20NHG01BI	0.1	20	500	490	2500	3.4	0.27
25NHG01B	25NHG01BI	01	25	500	1200	5600	5	0.27
32NHG01B	32NHG01BI	01	32	500	1800	9000	4.8	0.27
35NHG01B	35NHG01BI	01	35	500	2400	11,800	4.6	0.27
40NHG01B	40NHG01BI	01	40	500	3300	16,500	5	0.27
50NHG01B	50NHG01BI	01	50	500	5600	27,800	6.3	0.27
63NHG01B	63NHG01BI	01	63	500	6600	26,100	5.6	0.27
80NHG01B	80NHG01BI	01	80	500	9800	38,900	7.1	0.27
100NHG01B	100NHG01BI	01	100	500	20,600	82,300	7.7	0.27
125NHG01B	125NHG01BI	01	125	500	25,000	125,000	11.8	0.27
160NHG01B	160NHG01BI	01	160	500	62,000	310,000	12.3	0.27

*I₁ is the maximum breaking capacity test at rated voltage according to IEC 60269 requirements

Time-current curves - NH Size 1



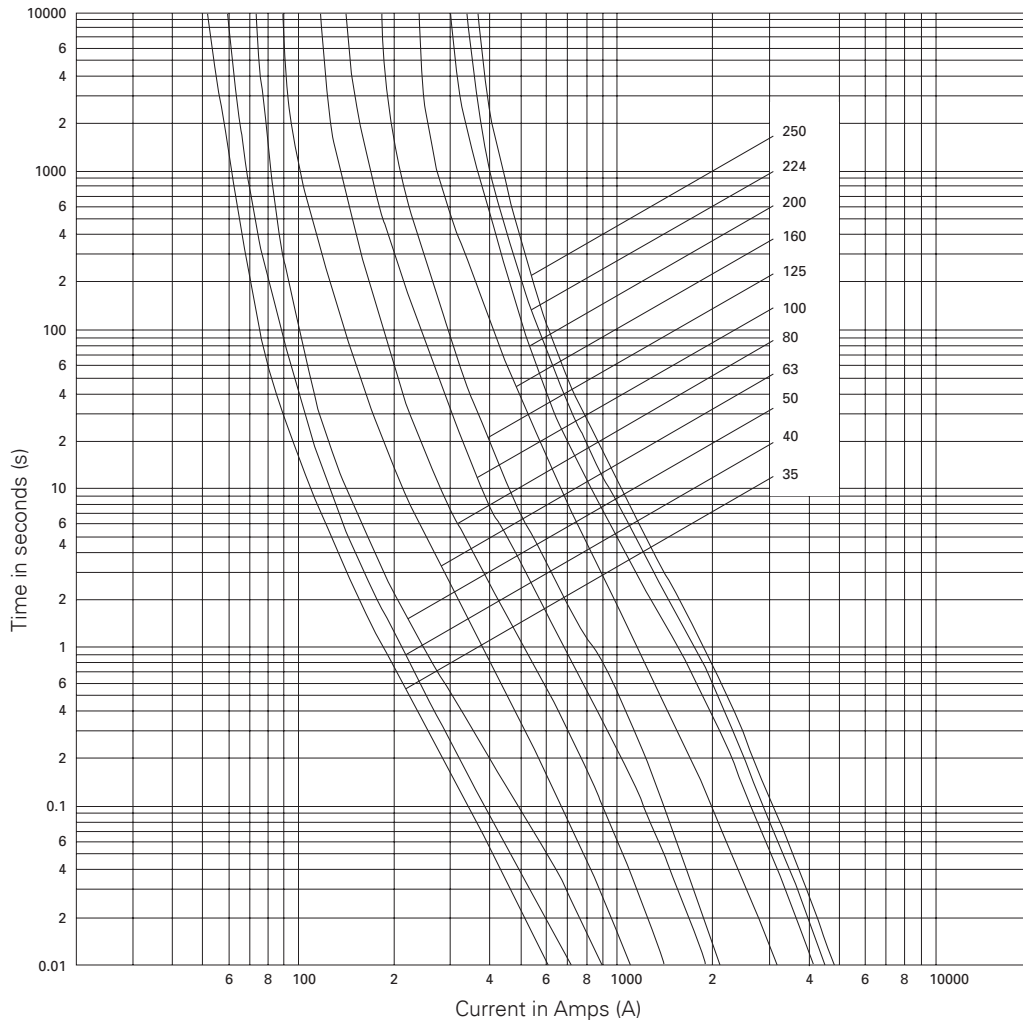
Technical data - NH size 1

Part numbers with metal gripping lugs	Part numbers with insulated metal gripping lugs	Fuse link size	Rated current (Amps)	Rated voltage (V a.c.)	I ² t (Amps ² Seconds)			Net weight per fuse (kg)
					Minimum pre-arcing	*I ₁ 120kA at 500 V a.c.	Watts loss	
50NHG1B	50NHG1BI	1	50	500	6350	18,000	6.4	0.39
63NHG1B	63NHG1BI	1	63	500	6800	23,000	5.6	0.39
80NHG1B	80NHG1BI	1	80	500	10,500	31,200	7.7	0.39
100NHG1B	100NHG1BI	1	100	500	22,000	68,200	8.2	0.39
125NHG1B	125NHG1BI	1	125	500	29,000	82,000	13	0.39
160NHG1B	160NHG1BI	1	160	500	62,000	310,000	12.3	0.39
200NHG1B	200NHG1BI	1	200	500	97,000	368,600	15	0.39
224NHG1B	224NHG1BI	1	224	500	124,000	471,200	18	0.39
250NHG1B	250NHG1BI	1	250	500	151,300	574,900	19	0.39
315NHG1B	-	1	315	440	320,000	750,000	22	0.39
355NHG1B	-	1	355	440	320,000	750,000	32	0.39

*I₁ is the maximum breaking capacity test at rated voltage according to IEC 60269 requirements

** Available upon request

Time-current curves - NH Size 02

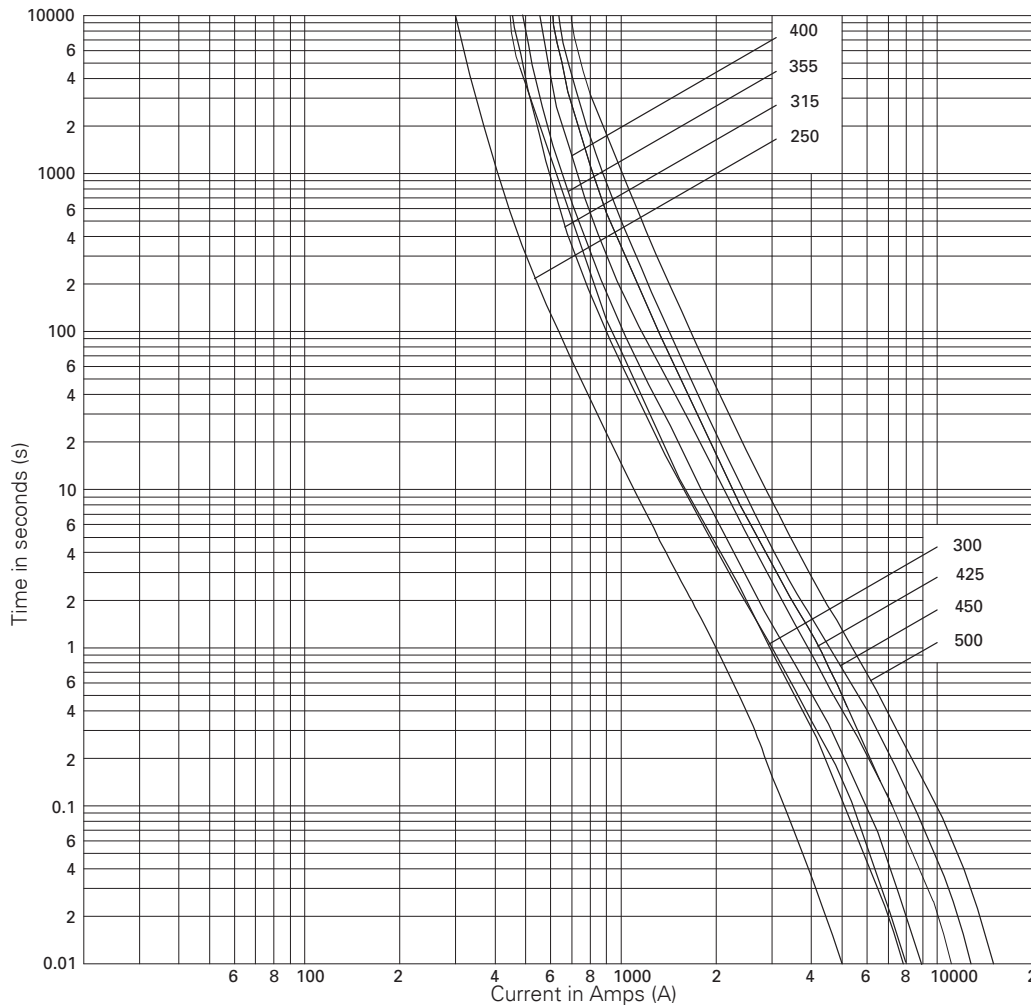


Technical data - NH size 02

Part numbers with metal gripping lugs	Part numbers with insulated metal gripping lugs	Fuse link size	Rated current (Amps)	Rated voltage (V a.c.)	I²t (Amps² Seconds)		Watts loss	Net weight per fuse (kg)
					Minimum pre-arcing	*I ₁ 120kA at 500 V a.c.		
35NHG02B	35NHG02BI	02	35	500	2400	11,800	4.7	0.40
40NHG02B	40NHG02BI	02	40	500	3300	16,500	5	0.40
50NHG02B	50NHG02BI	02	50	500	5600	27,800	6.4	0.40
63NHG02B	63NHG02BI	02	63	500	6600	26,100	5.5	0.40
80NHG02B	80NHG02BI	02	80	500	9800	38,900	7.3	0.40
100NHG02B	100NHG02BI	02	100	500	20,600	82,300	7.5	0.40
125NHG02B	125NHG02BI	02	125	500	25,000	100,000	12	0.40
160NHG02B	160NHG02BI	02	160	500	62,000	248,000	12	0.40
200NHG02B	200NHG02BI	02	200	500	96,900	367,900	15	0.40
224NHG02B	224NHG02BI	02	224	500	124,000	471,200	18	0.40
250NHG02B	250NHG02BI	02	250	500	151,300	574,900	19	0.40

*I₁ is the maximum breaking capacity test at rated voltage according to IEC 60269 requirements

Time-current curves - NH Size 2



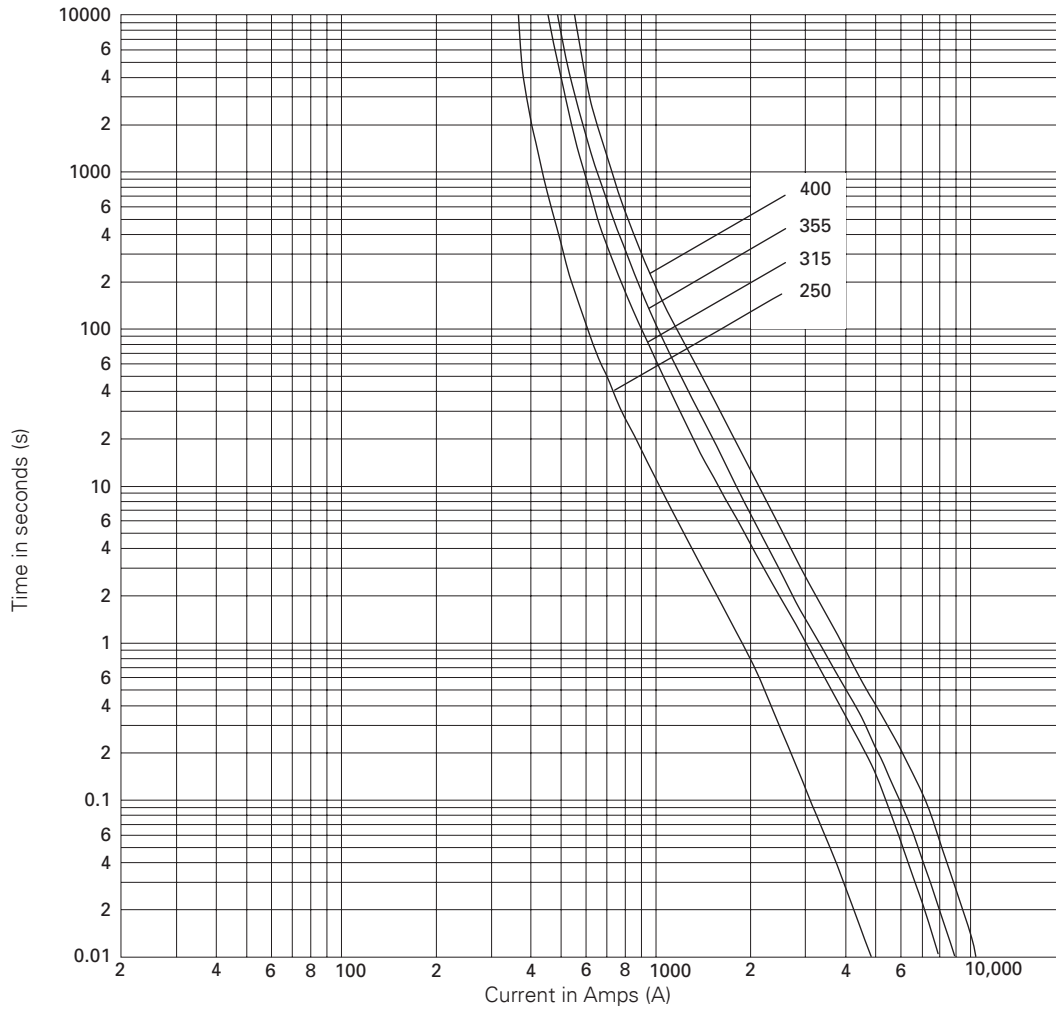
Technical data - NH size 2

Part numbers with metal gripping lugs	Part numbers with insulated metal gripping lugs	Fuse link size	Rated current (Amps)	Rated voltage (V a.c.)	I ² t (Amps ² Seconds)		Watts loss	Net weight per fuse (kg)
					Minimum pre-arcing	*I ₁ 120kA at 500 V a.c.		
250NHG2B	250NHG2BI	2	250	500	170,000	437,000	23	0.63
300NHG2B	300NHG1BI**	2	300	500	320,000	840,000	20	0.63
315NHG2B	315NHG2BI	2	315	500	361,700	1,446,500	21	0.63
355NHG2B	355NHG2BI	2	355	500	446,500	1,785,800	27	0.63
400NHG2B	400NHG2BI	2	400	500	642,900	2,571,500	30	0.63
425NHG2B	-	2	425	500	720,000	1,862,000	31	0.63
450NHG2B	-	2	450	500	870,000	2,275,000	31	0.63
500NHG2B	-	2	500	440	1,200,000	2,720,000	37	0.63

*I₁ is the maximum breaking capacity test at rated voltage according to IEC 60269 requirements

** Available upon request

Time-current curves - NH Size 03

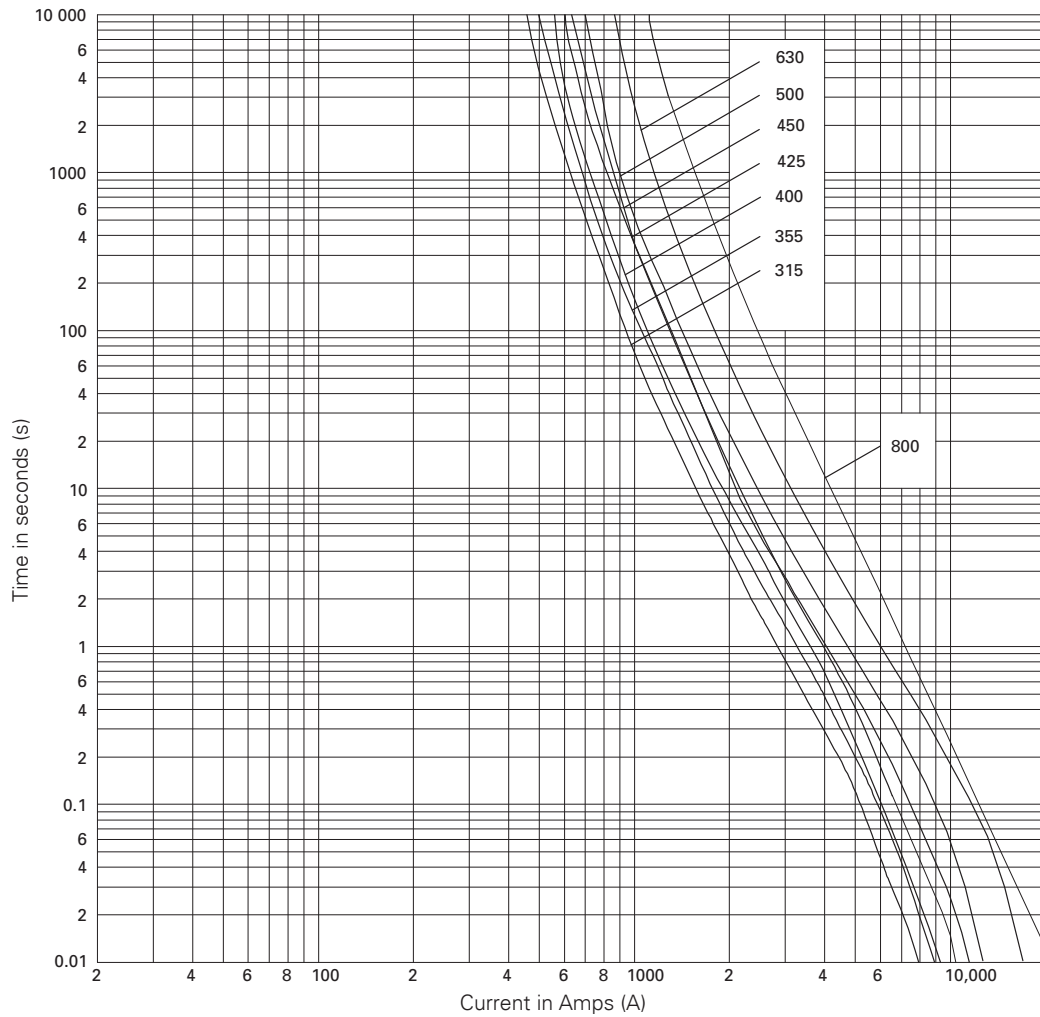


Technical data - NH size 03

Part numbers with metal gripping lugs	Part numbers with insulated metal gripping lugs	Fuse link size	Rated current (Amp)	Rated voltage (V a.c.)	I ² t (Amps ² Seconds)			Net weight per fuse (kg)
					Minimum pre-arcing	*I ₁ 120kA at 500 V a.c.	Watts loss	
250NHG03B	250NHG03BI	03	250	500	160,800	642,900	20	0.64
315NHG03B	315NHG03BI	03	315	500	361,700	1,446,500	21	0.64
355NHG03B	355NHG03BI	03	355	500	446,500	1,785,800	27	0.64
400NHG03B	400NHG03BI	03	400	500	642,900	2,571,500	30	0.64

*I₁ is the maximum breaking capacity test at rated voltage according to IEC 60269 requirements

Time-current curves - NH Size 3

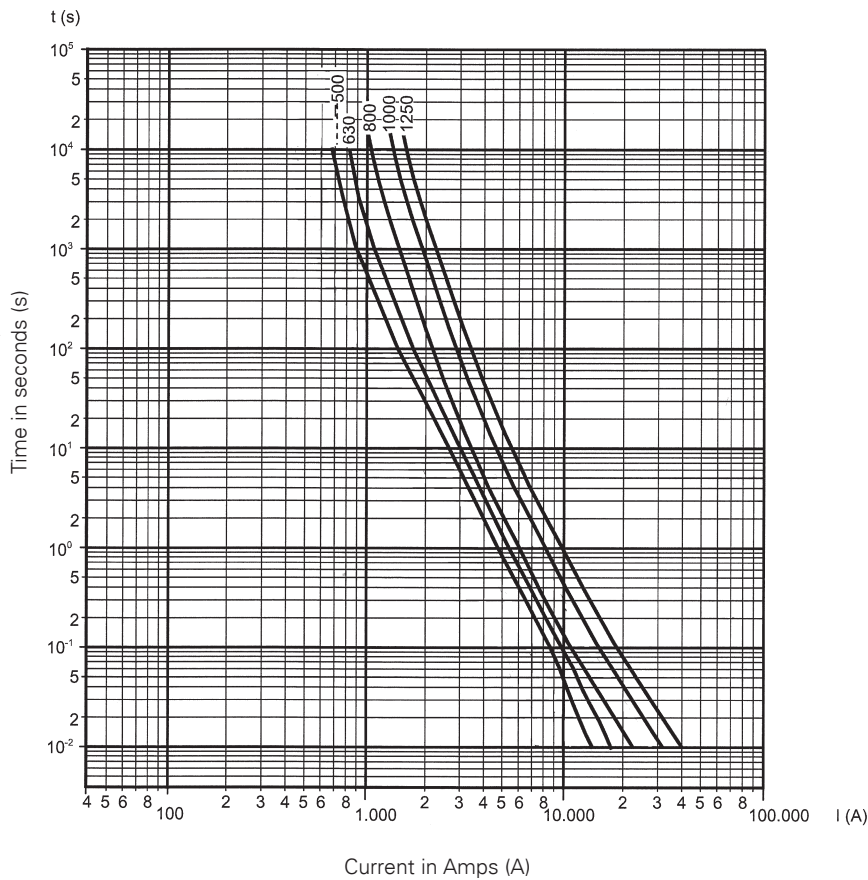


Technical data - NH size 3

Part numbers with metal gripping lugs	Part numbers with insulated gripping lugs	Fuse link size	Rated current (Amp)	Rated voltage (V a.c.)	I ² t (Amps ² Seconds)			Net weight per fuse (kg)
					Minimum pre-arcing	*I ₁ 120kA at 500 V a.c.	Watts loss	
315NHG3B	-	3	315	500	375,000	970,000	22	1.05
355NHG3B	-	3	355	500	400,000	1,110,000	25	1.05
400NHG3B	-	3	400	500	642,900	2,571,500	30	1.05
425NHG3B	-	3	425	500	570,000	1,934,000	30	1.05
450NHG3B	-	3	450	500	670,000	2,260,000	33	1.05
500NHG3B	500NHG3BI	3	500	500	886,000	3,898,400	37	1.05
630NHG3B	630NHG3BI	3	630	500	1,590,000	6,996,000	47	1.05
800NHG3B	-	3	800	440	2,420,000	5,420,000	59	1.05

*I₁ is the maximum breaking capacity test at rated voltage according to IEC 60269 requirements

Time-current curves - NH Size 4



Technical data - NH size 4

Part numbers with metal gripping lugs	Fuse link size	Rated current (Amps)	Rated voltage (V a.c.)	I ² t (Amps ² Seconds)		Watts loss	Net weight per fuse (kg)
				Minimum pre-arcing	*I ₁ , 120kA at 500 V a.c.		
500NHG4G	4	500	500	800,000	3,850,000	37	2.2
630NHG4G	4	630	500	880,000	4,100,000	47	2.2
800NHG4G	4	800	500	1,500,000	6,480,000	68	2.2
1000NHG4G	4	1000	500	4,800,000	13,000,000	80	2.2
1250NHG4G	4	1250	500	7,000,000	18,000,000	108	2.2

*I₁ is the maximum breaking capacity test at rated voltage according to IEC 60269 requirements

Changes to the products, to the information contained in this document, and to prices are reserved; so are errors and omissions. Only order confirmations and technical documentation by Eaton is binding. Photos and pictures also do not warrant a specific layout or functionality. Their use in whatever form is subject to prior approval by Eaton. The same applies to Trademarks (especially Eaton, Moeller, and Cutler-Hammer). The Terms and Conditions of Eaton apply, as referenced on Eaton Internet pages and Eaton order confirmations.

Eaton
 EMEA Headquarters
 Route de la Longeraie 7
 1110 Morges, Switzerland

Eaton Electrical Products Limited
 Unit 1, Hawker Business Park
 Melton Road
 Burton-on-the-Wolds
 Leicestershire, LE12 5TH
 United Kingdom