

SAL 8 C

Rod end, maintenance-free, sealed, male thread

These SKF rod ends contain a spherical plain bearing with a steel/PTFE sintered bronze sliding contact surface combination. The bearing is maintenance-free. The male thread is available with a left- (prefix SAL) or right-hand thread.

- Long service life
- Maintenance-free
- Suitable for heavy, constant direction loads
- Low coefficient of friction
- Simple and ready-to-mount



Overview

Dimensions

| | |
|--|----------|
| Bore diameter, bearing inner ring | 0.315 in |
| Centre height, housing (from end of shank) | 1.654 in |
| Housing length, total | 2.205 in |
| Outside diameter, housing eye | 0.984 in |
| Thread designation | M 8 |
| Width, bearing inner ring | 0.315 in |
| Width, housing eye | 0.256 in |

Performance

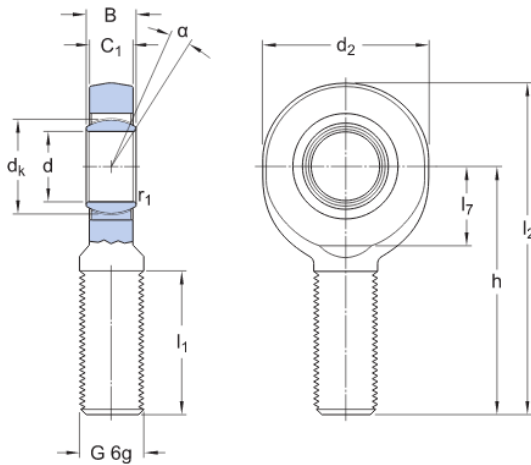
| | |
|---------------------------|-----------|
| Basic dynamic load rating | 1 315 lbf |
| Basic static load rating | 2 900 lbf |

Properties

| | |
|-------------------------------------|----------------------------|
| Attachment feature, rod end shank | Left-hand male thread |
| Maintenance | Maintenance-free |
| Material, housing | Steel |
| Material, inner ring | Bearing steel |
| Material, outer ring | Deep-drawing steel |
| Sealing | Without |
| Sliding contact surface combination | Steel/PTFE sintered bronze |

Technical Specification

| | |
|-------------------------------------|----------------------------|
| Maintenance | Maintenance-free |
| Sliding contact surface combination | Steel/PTFE sintered bronze |
| Material, inner ring | Bearing steel |
| Material, outer ring | Deep-drawing steel |
| Sealing | Without |
| Attachment feature, rod end shank | Left-hand male thread |



Dimensions

| | | |
|----------------|---------------|---|
| d | 0.315 in | Bore diameter |
| d ₂ | max. 0.984 in | Diameter head |
| B | 0.315 in | Width inner ring |
| G | M 8 | Thread |
| C ₁ | max. 0.256 in | Width head |
| h | 1.654 in | Height shank end face - centre rod end eye |
| α | 15 ° | Angle of tilt |
| d _k | 0.512 in | Raceway diameter inner ring |
| l ₁ | min. 0.827 in | Length thread |
| l ₂ | max. 2.205 in | Length (height) housing |
| l ₇ | min. 0.433 in | Distance shank chamfer - centre rod end eye |
| r ₁ | min. 0.012 in | Chamfer dimension bore |

Calculation data

| | | |
|---------------------------|---|-----------|
| Basic dynamic load rating | C | 1 315 lbf |
|---------------------------|---|-----------|

| | | |
|------------------------------|-------|----------------|
| Basic static load rating | C_0 | 2 900 lbf |
| Specific dynamic load factor | K | 14 503.774 psi |
| Material constant | K_M | 1 400 |

Mass

| | | |
|--------------|--|----------|
| Mass rod end | | 0.066 lb |
|--------------|--|----------|

Terms and conditions

By accessing and using this website / app owned and published by AB SKF (publ.) (556007-3495 · Gothenburg) ("SKF"), you agree to the following terms and conditions:

Warranty Disclaimer and Limitation of Liability

Although every care has been taken to assure the accuracy of the information on this website / app, SKF provides this information "AS IS" and DISCLAIMS ALL WARRANTIES, EXPRESS OR IMPLIED, INCLUDING, BUT NOT LIMITED TO, IMPLIED WARRANTIES OF MERCHANTABILITY AND FITNESS FOR A PARTICULAR PURPOSE. You acknowledge that your use of this website / app is at your sole risk, that you assume full responsibility for all costs associated with use of this website / app, and that SKF shall not be liable for any direct, incidental, consequential, or indirect damages of any kind arising out of your access to, or use of the information or software made available on this website / app. Any warranties and representations in this website / app for SKF products or services that you purchase or use will be subject to the agreed upon terms and conditions in the contract for such product or service. Further, for non-SKF websites / apps that are referenced in our website / app or where a hyperlink appears, SKF makes no warranties concerning the accuracy or reliability of the information in these websites / apps and assumes no responsibility for material created or published by third parties contained therein. In addition, SKF does not warrant that this website / app or these other linked websites / apps are free from viruses or other harmful elements.

Copyright

Copyright in this website / app copyright of the information and software made available on this website / app rest with SKF or its licensors. All rights are reserved. All licensed material will reference the licensor that has granted SKF the right to use the material. The information and software made available on this website / app may not be reproduced, duplicated, copied, transferred, distributed, stored, modified, downloaded or otherwise exploited for any commercial use without the prior written approval of SKF. However, it may be reproduced, stored and downloaded for use by individuals without prior written approval of SKF. Under no circumstances may this information or software be supplied to third parties.

This website /app includes certain images used under license from Shutterstock, Inc.

Trademarks and Patents

All trademarks, brand names, and corporate logos displayed on the website / app are the property of SKF or its licensors, and may not be used in any way without prior written approval by SKF. All licensed trademarks published on this website / app reference the licensor that has granted SKF the right to use the trademark. Access to this website / app does not grant to the user any license under any patents owned by or licensed to SKF.

Changes

SKF reserves the right to make changes or additions to this website / app at any time.