

GLR (fuse) HLR (fuse holder)

Non-rejecting, fast-acting fuse and in-line fuse holders



Product features

- GLR fuse and knob are an integral one-piece unit. There are no replacement knobs (caps)
- Units can be panel mounted with a separate steel clip. For knockout hole mounting (see dimensions), order catalog number BK/A-104. For the keyhole punch type hole mounting, order catalog number 6374 for panels 0.043" to 0.062" thick, or catalog number 4909 for panels 0.030" to 0.042" thick.
- The HLR holder comes with 6 inches of red #18 insulated solid copper wire attached to the lineside terminal, customer inserts a #18 insulated solid copper wire into loadside terminal
- Order holder catalog number HLR-2A to obtain 6 inches of black #18 insulated solid copper wire pre-installed in the loadside terminal
- Order catalog number HLR-2L to obtain 6 inches of black #18 insulated solid copper wire packaged loose (uninstalled)
- An alternative to the HLR fuse holder is the "A" fuse holder. The "A" fuse holder comes WITHOUT leads. The customer inserts #18 insulated solid copper wire into the lineside and the loadside terminals. The "A" fuse holder has the same body dimensions, utilizes the same mounting hole, and takes the same mounting clips as the HLR, HLR-2A and HLR-2L
- Do not put tension on the fuse holder's lineside terminal

Catalog symbol: GLR (fuse) HLR (fuse holder)

Ampere Rating: 3/16 - 15 A

Voltage Rating: 300 Volts AC or less

Interrupting Rating: 10,000 A

Agency information

Fuse

- UL® Listed, Std. 248-14, 3/16-15A/300Vac, Guide JDYX, File E19180
- CSA® Certified, C22.2 No. 248.14, 0-10A/300Vac, Class 1422-01, File 53787

Fuse holder

HLR

- UL Recognized, 12A, 300Vac, Guide IZLT2, File E14853
- CSA Certified, 12A, 300Vac, Class 6225-01, File 47235

HLR-2A and HRL-2L

- UL Recognized, 15A, 300Vac, Guide IZLT2, File E14853
- CSA Certified, 15A, 300Vac, Class 6225-01, File 47235

A

- CSA Certified, 10A, 300Vac, Class 6225-01, File 47235

GLR fuse catalog numbers

Fuse (amps)

| | | | |
|-----------|------------|-------|---------|
| GLR-3/16 | GLR-1-6/10 | GLR-5 | GLR-9 |
| GLR-1/2 | GLR-2 | GLR-6 | GLR-10 |
| GLR-1 | GLR-3 | GLR-7 | GLR-12 |
| GLR-1-1/2 | GLR-4 | GLR-8 | GLR-15* |

* Must be used with the HLR-2A holder rated to 15A.

HLR fuse holder catalog numbers

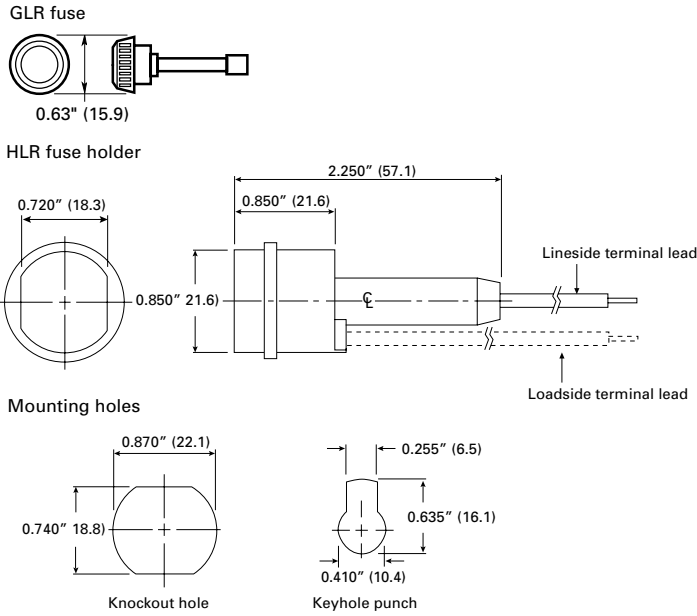
Catalog No. Description

| | |
|--------|---|
| HLR | Holder with installed lineside terminal wire for 3/16 to 12 amp GLR fuses |
| HLR-2A | Holder with installed lineside and loadside terminal wires for 3/16 to 15 amp GLR fuses |
| HLR-2L | Holder with uninstalled lineside and loadside terminal wires for 3/16 to 15 amp GLR fuses |
| A | Holder without lineside or loadside terminal wires for 3/16 to 15 amp GLR fuses |

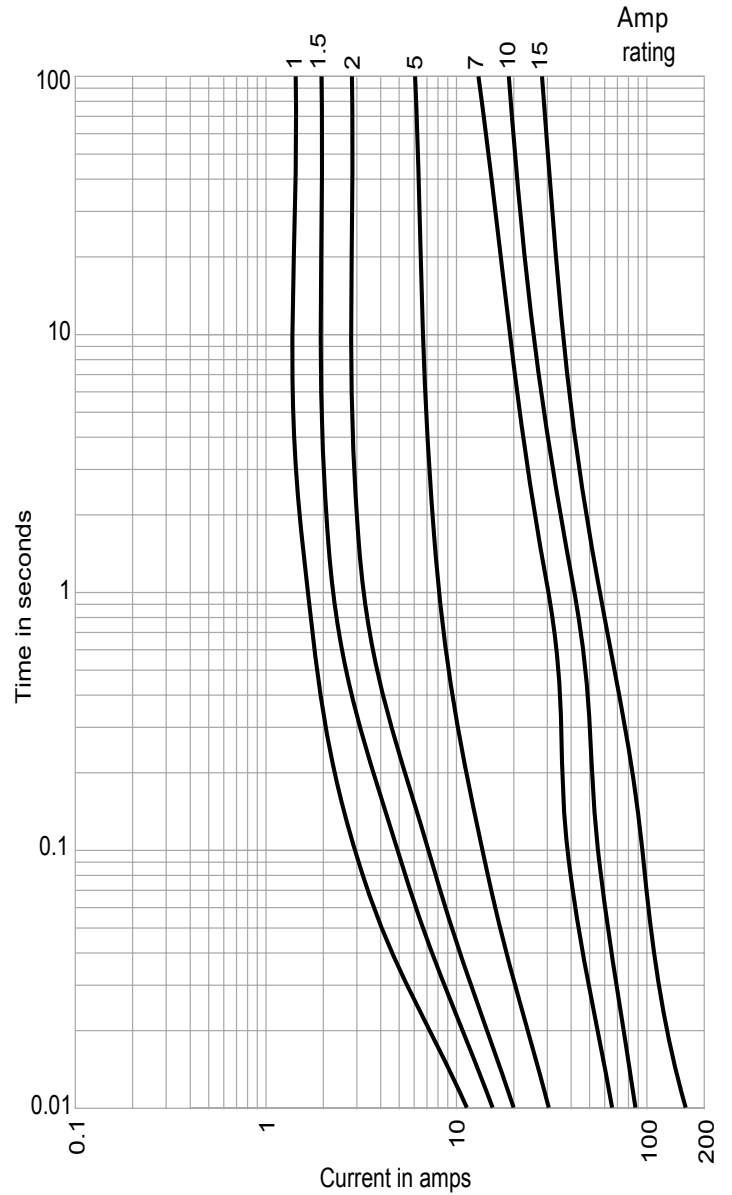


Powering Business Worldwide

Dimensions - in (mm):



Time-current characteristic curves – average melt



Life Support Policy: Eaton does not authorize the use of any of its products for use in life support devices or systems without the express written approval of an officer of the Company. Life support systems are devices which support or sustain life, and whose failure to perform, when properly used in accordance with instructions for use provided in the labeling, can be reasonably expected to result in significant injury to the user.

Eaton reserves the right, without notice, to change design or construction of any products and to discontinue or limit distribution of any products. Eaton also reserves the right to change or update, without notice, any technical information contained in this bulletin.

Eaton
Electronics Division
1000 Eaton Boulevard
Cleveland, OH 44122
United States
www.eaton.com/electronics

© 2017 Eaton
All Rights Reserved
Printed in USA
Publication No. 2032 BU-MC15051
August 2017

Eaton is a registered trademark.

All other trademarks are property of their respective owners.