

Datasheet

50m Open Reel

RS Stock number 889-2504

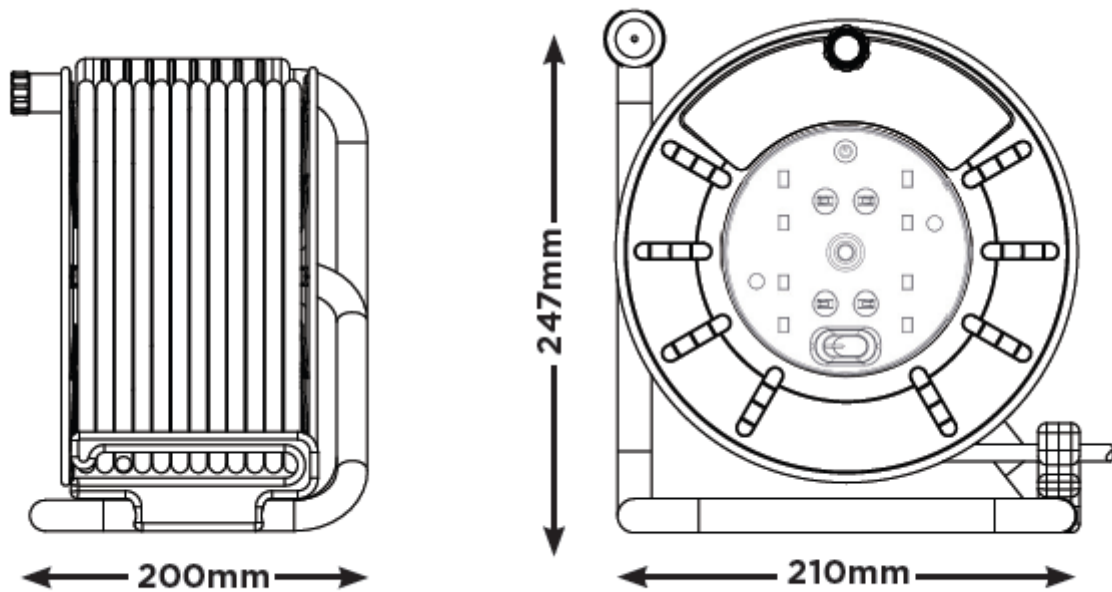


Description:

This larger plastic constructed extension reel has been designed and engineered for efficiency. The plastic drum provides reliable protection when in use, transported or stored. Using highly visible green cable, this range of extension reels provides four shuttered, LED indicator, power switch and has a built-in safety thermal cut-out for protection against overloading when fully reeled.

Product Information

Part No:	889-2504
Type:	Open Cable Reel
Cable Type:	PVC
Cable Length (m):	50
Amp:	13
Product Dimensions:	H:9.7 x W:8.2 x D:7.8
(Inch/cm)	H:24.7 x W:21 x D:20



Features

- ›› Robust case reel, with four shutter sockets
- ›› Safety thermal cut-out
- ›› Power on/off switch
- ›› Power LED indicator