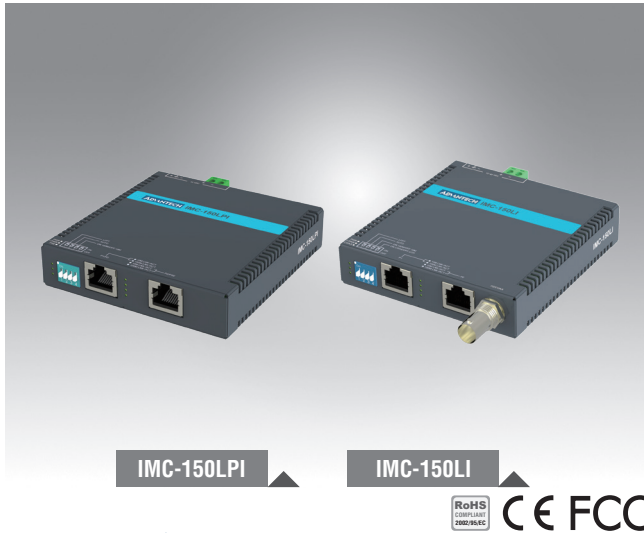


# IMC-150L

## Industrial Long Reach Ethernet over UTP/Coaxial Extender



### Features

- Extends Ethernet up to 800m at 10 Mbps or 500m at 100 Mbps over UTP cable
- Extends Ethernet up to 1km at 10 Mbps or 500m at 100 Mbps over Coaxial cable (IMC-150LI)
- Railway Trackside EN 50121-4
- Features Link Fault Pass Through (LFPT)
- Switch-selectable for configuring LAN rate and connection type
- Dual design with PoE+ PD/PSE (IMC-150LPI)

### Introduction

Injecting data and power together, the IMC-150L series offers brand new leading products which break the 100-meter limitation for greater Ethernet transmission distances. The series supports 10/100Mbps Ethernet over twisted pair cable (CAT-5, UTP) or coaxial cable. It provides a user configurable DIP switch selection of LFPT features, force speed setting, and is flexible and freely extends existing Ethernet networks to reach remote IP devices.

The IMC-150LPI PoE+ extender is compliant with the IEEE 802.3at PoE+ standard and delivers data and power over Ethernet cable without the distance limitations of traditional copper wires. It can extend data and power transmission reach up to 800 meters. Acting as both power sourcing equipment (PSE) and a powered device(PD), the power source from the PoE+ switch or power with 48V<sub>DC</sub> input reaches both local and remote sites. The IMC-150L extender provides a combo twisted pair cable (CAT-5, UTP) and coaxial cable which transmit data up to 1 km via coaxial cable. The IMC-150L series offers effective point-to-point Ethernet extenders; offering the best solution for commercial buildings, harsh environments, airports, and virtually anywhere that requires Ethernet transmission over 100 meters.

### Specifications

#### Communications

- **Standard**  
IMC-150LPI IEEE 802.3, 802.3u, 802.3x, 802.3at/af  
IMC-150LI IEEE 802.3, 802.3u, 802.3x 10/100Base-T(X)
- **LAN**
- **Transmission Distances**  
See product startup manual
- **Transmission Speed**  
Up to 100 Mbps

#### Interface

- **Connectors**  
IMC-150LPI 1 x 10/100Mbps RJ-45 PD  
1 x 10/100Mbps RJ-45 PSE  
IMC-150LI 1 x 10/100Mbps RJ-45  
1 x 10/100Mbps Combo UTP/COAX
- **DIP Switch**  
LFPT, AUTO-Nego, Speed, UTP/COAX  
PIN 1 LFPT ON/OFF  
PIN 2 AUTO ON/OFF (OFF to take effect for PIN 3)  
PIN 3 SPEED ON:100Mbps / OFF:10Mbps  
PIN 4 ON:COAX / OFF:UTP (PIN 4 is only for IMC-150LI)
- **LED Indicators**  
IMC-150LPI:  
PWR, 1-PAIR, PSE  
P1/PD 10M LNK/ACT, 100M LNK/ACT  
P2/PSE 10M LNK/ACT, 100M LNK/ACT  
IMC-150LI:  
PWR, 1-PAIR, COAX  
P1 10M LNK/ACT, 100M LNK/ACT  
P2 10M LNK/ACT, 100M LNK/ACT

#### Power

- **Power Consumption**  
IMC-150LPI: 33W (Full load PoE+)  
IMC-150LI: 2.401W
- **Power Input**  
IMC-150LPI 48V DC  
IMC-150LI 12 ~ 48V DC
- **Power Output**  
30W
- **Connectors**  
2P Pluggable Terminal Block, DC Jack

#### Physical

- **Enclosure**  
IP30, Metal shell with solid mounting kits
- **Dimensions (W x H x D)**  
92.58 x 21.08 x 98.04 mm (3.65 x 0.83 x 3.86 in.)
- **Mounting**  
DIN-Rail, Wall

#### Protection

- **Reverse Polarity**  
Present

#### Environment

- **Operating Temperature**  
-40 ~ 75°C (-40~167°F)
- **Storage Temperature**  
-40 ~ 85°C (-40~185°F)
- **Operating Humidity**  
10 ~ 95% (non-condensing)
- **Storage Humidity**  
10 ~ 95% (non-condensing)

#### Certification

- **EMI**  
CE, FCC
- **EMS**  
EN 61000-4-2  
EN 61000-4-3  
EN 61000-4-4  
EN 61000-4-5  
EN 61000-4-6  
EN 61000-4-8
- **Railway Trackside**  
EN 50121-4
- **Shock**  
IEC 60068-2-27
- **Freefall**  
IEC 60068-2-32
- **Vibration**  
IEC 60068-2-6
- **Patent**  
<http://www.advantech.com/legal/patent>

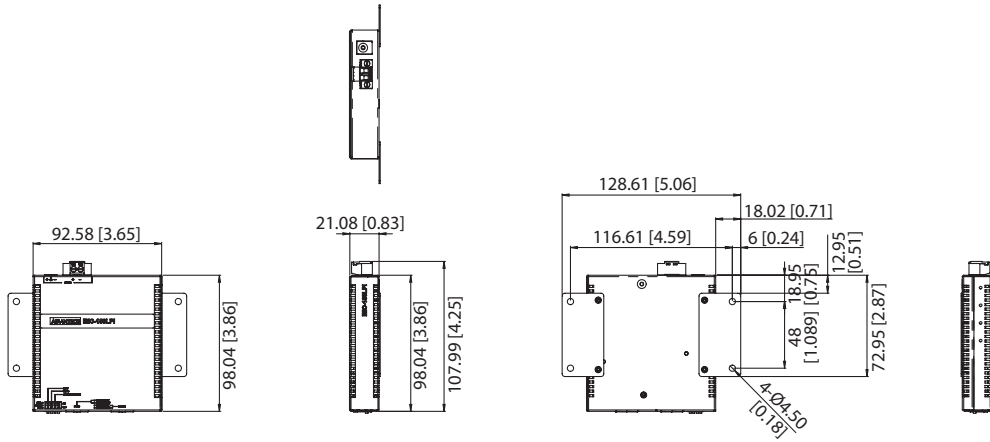
### Ordering Information

- **IMC-150LPI**  
Industrial Long Reach PoE+ Extender
- **IMC-150LI**  
Industrial Long Reach Ethernet over UTP/Coax Extender
- **XIMC-FSP065-DFAN3**  
Power Adapter, 100~240V, 50~60Hz, 48.0V 1.36A (sold separately)

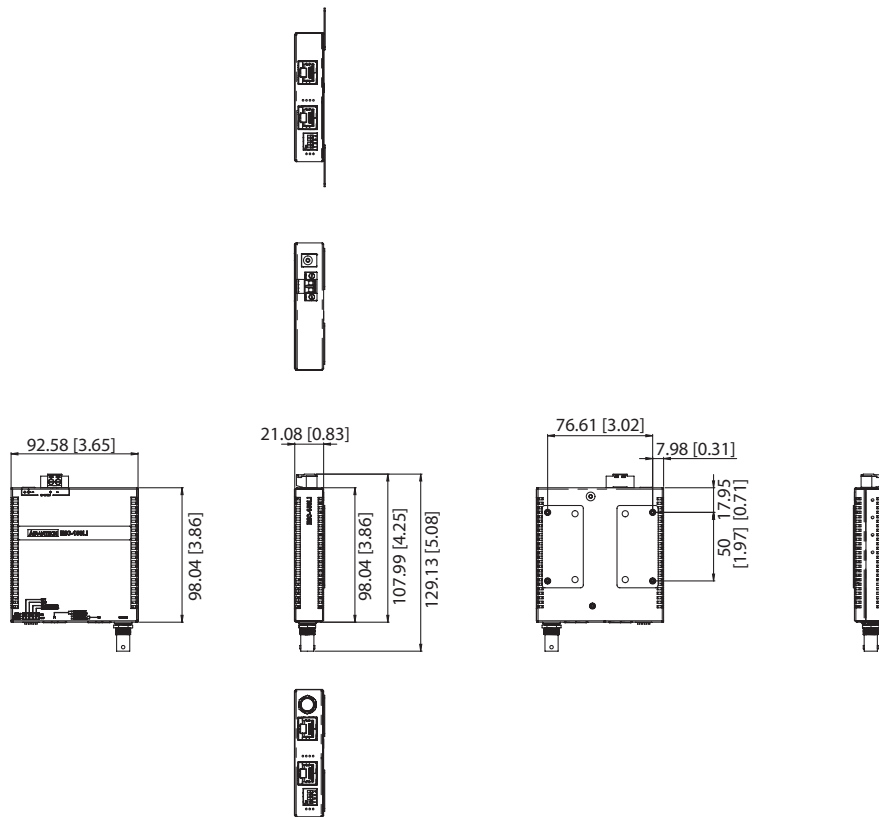
**Dimensions**

Unit: mm [inch]

**IMC-150LPI**



**IMC-150LI**



**Panel Cut-out Dimensions (W x H x D): 92.58 x 21.08 x 98.04 mm (3.65 x 0.83 x 3.86 in.)**