

SNL 520-617

Split plummer (pillow) block housing, SNL 2, 3, 5 and 6 series

SNL plummer (pillow) block housings are the most popular SKF bearing housings on the market, developed to be the first choice for design, quality and economy. They enable the incorporated bearings to achieve maximum service life with less need for maintenance. Different housing variants and seal designs are available, making the use of tailored housings virtually unnecessary and enabling cost-effective bearing arrangements to be made.

- Easy to install
- Cost-effective bearing arrangement
- Reduce maintenance
- Minimize lubricant leakage

Overview

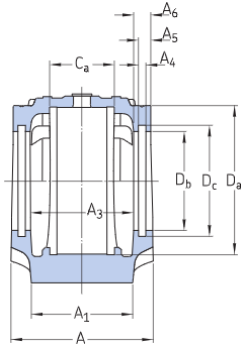
Dimensions

Attachment bolt diameter	0.945 in
Centre distance between bolt holes	12.598 in
Centre height (pillow block)	4.409 in
Seating diameter	7.087 in
Width of bearing seat	2.756 in

Properties

Bearing housing seal type	Without
Housing configuration	Two-piece
Housing lubrication feature/possibility	Grease
Housing type	Plummer/pillow block
Material, housing	Cast iron
Mounting arrangement	Through shaft/Shaft end
Number of bolt holes for fasteners	2

Technical Specification



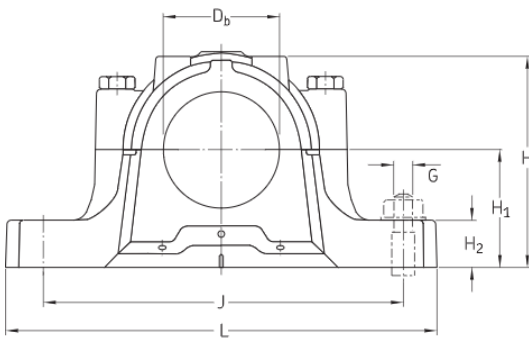
Dimensions

Bearing seat

D_a	7.087 in	Diameter of bearing seat
	G7	Tolerance class of bearing seat diameter
C_a	2.756 in	Width of bearing seat
H_1	4.409 in	Centre height of bearing seat

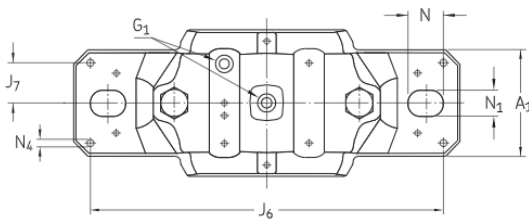
Outside dimensions

D_b	5.413 in	Bore diameter
A	6.299 in	Overall width
A_1	4.331 in	Foot width
G_1	1/8-27 NPSF	Thread of relubrication holes
H	8.583 in	Overall height
H_2	1.575 in	Foot height
L	14.961 in	Overall length
J	12.598 in	Distance between attachment bolts
N	1.26 in	Length of attachment bolt hole
N_1	1.024 in	Width of attachment bolt hole



Seal grooves

A_3	5.157 in	Inside width between seal grooves
A_4	0.236 in	Width of seal groove
A_5	0.394 in	Distance to seal groove back face
A_6	0.551 in	Width at bore diameter
D_c	5.807 in	Diameter of seal groove



Dowel pins

J_6	13.701 in	Distance between dowel pins
J_7	1.535 in	Axial offset of dowel pins

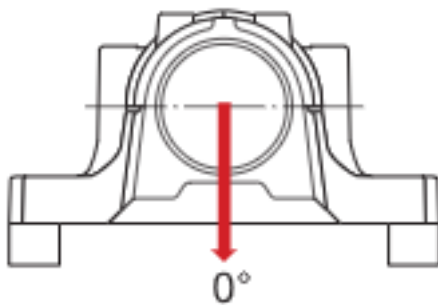
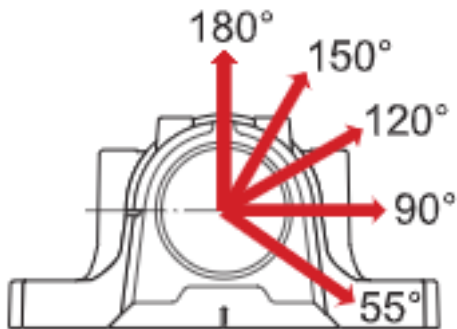
N_4 max. 0.315 in

Diameter of dowel pins

Calculation data

Breaking loads

P_0	105 660 lbf	Breaking load at 0° load angle
P_5	139 382 lbf	Breaking load at 55° load angle
P_9	83 179 lbf	Breaking load at 90° load angle
P_{12}	62 947 lbf	Breaking load at 120° load angle
P_{15}	56 202 lbf	Breaking load at 150° load angle
P_{18}	69 691 lbf	Breaking load at 180° load angle
P_a	44 962 lbf	Breaking load, axial



Yield points of cap bolts

Q_{12}	139 382 lbf	Load to reach yield point at 120° load angle
Q_{15}	80 931 lbf	Load to reach yield point at 150° load angle
Q_{18}	69 691 lbf	Load to reach yield point at 180° load angle

Materials

Housing material

Cast iron

Corrosion protection

Paint - in accordance with ISO 12944-2, corrosivity category C2

Mass

Mass housing

38.801 lb

Mounting information

Recommended diameter of attachment bolts	G	0.945 in
Recommended tightening torque for attachment bolts		5 885.746 lbf-in
Size of cap bolts		M20x100
Tightening torque for cap bolts		1 770.149 lbf-in
Initial grease fill, 20%		13.76 oz
Initial grease fill, 40%		22.223 oz

Included products

Grease fitting		AH 1/8-27 PTF
----------------	--	---------------

Terms and conditions

By accessing and using this website / app owned and published by AB SKF (publ.) (556007-3495 · Gothenburg) ("SKF"), you agree to the following terms and conditions:

Warranty Disclaimer and Limitation of Liability

Although every care has been taken to assure the accuracy of the information on this website / app, SKF provides this information "AS IS" and DISCLAIMS ALL WARRANTIES, EXPRESS OR IMPLIED, INCLUDING, BUT NOT LIMITED TO, IMPLIED WARRANTIES OF MERCHANTABILITY AND FITNESS FOR A PARTICULAR PURPOSE. You acknowledge that your use of this website / app is at your sole risk, that you assume full responsibility for all costs associated with use of this website / app, and that SKF shall not be liable for any direct, incidental, consequential, or indirect damages of any kind arising out of your access to, or use of the information or software made available on this website / app. Any warranties and representations in this website / app for SKF products or services that you purchase or use will be subject to the agreed upon terms and conditions in the contract for such product or service. Further, for non-SKF websites / apps that are referenced in our website / app or where a hyperlink appears, SKF makes no warranties concerning the accuracy or reliability of the information in these websites / apps and assumes no responsibility for material created or published by third parties contained therein. In addition, SKF does not warrant that this website / app or these other linked websites / apps are free from viruses or other harmful elements.

Copyright

Copyright in this website / app copyright of the information and software made available on this website / app rest with SKF or its licensors. All rights are reserved. All licensed material will reference the licensor that has granted SKF the right to use the material. The information and software made available on this website / app may not be reproduced, duplicated, copied, transferred, distributed, stored, modified, downloaded or otherwise exploited for any commercial use without the prior written approval of SKF. However, it may be reproduced, stored and downloaded for use by individuals without prior written approval of SKF. Under no circumstances may this information or software be supplied to third parties.

This website /app includes certain images used under license from Shutterstock, Inc.

Trademarks and Patents

All trademarks, brand names, and corporate logos displayed on the website / app are the property of SKF or its licensors, and may not be used in any way without prior written approval by SKF. All licensed trademarks published on this website / app reference the licensor that has granted SKF the right to use the trademark. Access to this website / app does not grant to the user any license under any patents owned by or licensed to SKF.

Changes

SKF reserves the right to make changes or additions to this website / app at any time.