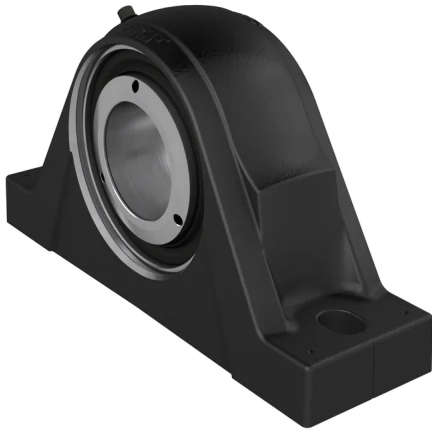


SYNT 55 L



Pillow block roller bearing unit, two-bolt, SKF ConCentra locking

Pillow (plummer) block roller bearing units and take-up roller bearing units consist of a spherical or tapered roller bearing mounted in a non-split housing that can be bolted to a support surface. This variant has a spherical roller bearing, a two-bolt base and SKF ConCentra locking, creating a true concentric tight fit, and setting the correct internal clearance within the bearing. The units are sealed and lubricated and ready to use. This bearing unit covers a wide range of requirements, in metric dimensions.

- Ready to mount
- Robust
- Factory lubricated and sealed
- Quick mounting
- Long service life

Overview

Dimensions

Attachment bolt diameter	0.63 in
Bearing width, total	2.598 in
Centre distance between bolt holes	8.268 in
Centre height (pillow block)	2.756 in
Housing overall width	2.756 in
Shaft diameter	2.165 in

Performance

Basic dynamic load rating	28 101 lbf
Basic static load rating	30 799 lbf
Limiting speed	3 100 r/min

Properties

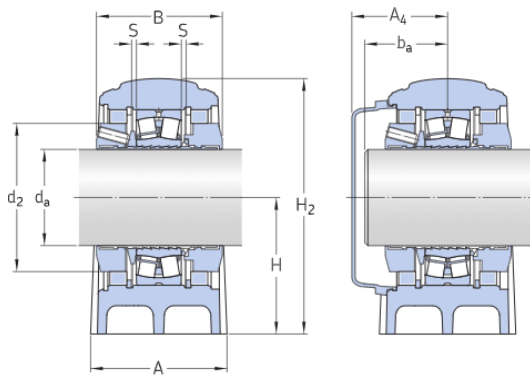
Bearing housing seal type	Radial lip seal
Bearing insert	Spherical roller bearing
Bearing position	Non-locating
Bore type	Cylindrical
Coating	Without
Grease fitting	With
Housing type	Pillow block
Lubricant	Grease
Material, bearing	Bearing steel

Material, housing	Cast iron
Number of bolt holes for fasteners	2
Relubrication hole	With
Retaining feature, inner ring	SKF ConCentra
Sealing, unit	Optional end cover

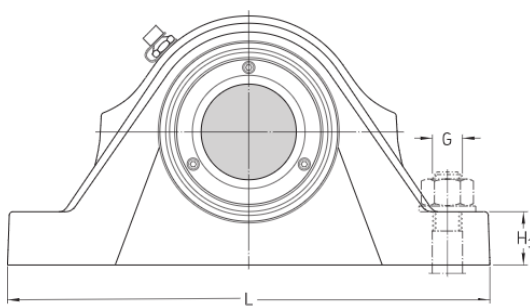
Technical Specification

Metric/inch series	Metric
Bearing insert	Spherical roller bearing
Bearing position	Non-locating
Locking method	SKF ConCentra
Bearing housing seal type	Radial lip seal

Dimensions



d_a	2.165 in	Shaft diameter
d_2	3.189 in	Collar outer diameter
A	2.756 in	Housing foot width
B	2.598 in	Inner ring width
H	2.756 in	Height base to center
H_1	1.181 in	Housing foot height
H_2	5.394 in	Housing height
J	8.268 in	Distance of attachment bolts
L	10.039 in	Housing length
N	0.709 in	Width foot slot width
N_1	0.945 in	Length of attachment bolt hole
S	0.098 in	Axial displacement

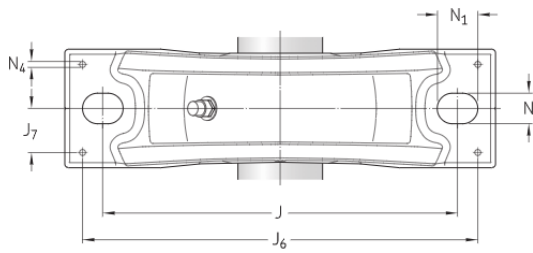


Shaft end

A_2	2.598 in	Distance bearing centre line to end cover
b_a max.	2.165 in	Distance bearing centre line to shaft end
b_a min.	1.339 in	Distance bearing centre line to shaft end

Dowel pins

J_6	9.213 in	Distance dowel pins
-------	----------	---------------------

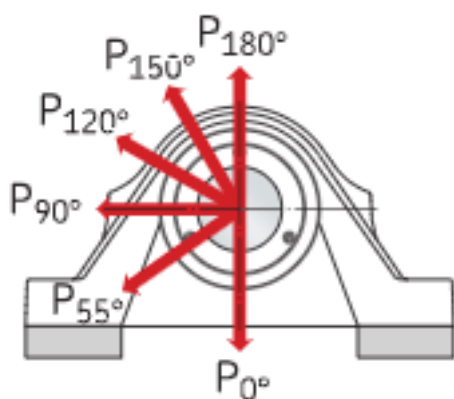


J_7	1.024 in	Distance dowel pins
N_4	0.315 in	Pin hole diameter

Calculation data

Basic dynamic load rating	C	28 101 lbf
Basic static load rating	C_0	30 799 lbf
Fatigue load limit	P_u	3 080 lbf
Limiting speed		3 100 r/min
Limiting value	e	0.24
Calculation factor	Y_1	2.8
Calculation factor	Y_2	4.2
Calculation factor	Y_0	2.8
Bearing mean diameter	d_m	3.051 in
Included bearing		22211 EKS
Axial holding force of the locking mechanism	P_a	3 372 lbf

Breaking loads



P_{0°	47 210 lbf	Breaking load
P_{55°	78 683 lbf	Breaking load
P_{90°	47 210 lbf	Breaking load
P_{120°	31 473 lbf	Breaking load
P_{150°	26 977 lbf	Breaking load
P_{180°	33 721 lbf	Breaking load

Mass

Mass bearing unit	13.228 lb
-------------------	-----------

Mounting information

Attachment bolt diameter	G	16.002 mm
Tightening torque for attachment bolts		1 770.149 lbf-in
Set screws	3 x M6	
Tightening torque for set screws		70.806 lbf-in
Grease quantity for relubrication		0.1764 oz

Associated products

End cover	ECY 211
-----------	---------

Terms and conditions

By accessing and using this website / app owned and published by AB SKF (publ.) (556007-3495 · Gothenburg) ("SKF"), you agree to the following terms and conditions:

Warranty Disclaimer and Limitation of Liability

Although every care has been taken to assure the accuracy of the information on this website / app, SKF provides this information "AS IS" and DISCLAIMS ALL WARRANTIES, EXPRESS OR IMPLIED, INCLUDING, BUT NOT LIMITED TO, IMPLIED WARRANTIES OF MERCHANTABILITY AND FITNESS FOR A PARTICULAR PURPOSE. You acknowledge that your use of this website / app is at your sole risk, that you assume full responsibility for all costs associated with use of this website / app, and that SKF shall not be liable for any direct, incidental, consequential, or indirect damages of any kind arising out of your access to, or use of the information or software made available on this website / app. Any warranties and representations in this website / app for SKF products or services that you purchase or use will be subject to the agreed upon terms and conditions in the contract for such product or service. Further, for non-SKF websites / apps that are referenced in our website / app or where a hyperlink appears, SKF makes no warranties concerning the accuracy or reliability of the information in these websites / apps and assumes no responsibility for material created or published by third parties contained therein. In addition, SKF does not warrant that this website / app or these other linked websites / apps are free from viruses or other harmful elements.

Copyright

Copyright in this website / app copyright of the information and software made available on this website / app rest with SKF or its licensors. All rights are reserved. All licensed material will reference the licensor that has granted SKF the right to use the material. The information and software made available on this website / app may not be reproduced, duplicated, copied, transferred, distributed, stored, modified, downloaded or otherwise exploited for any commercial use without the prior written approval of SKF. However, it may be reproduced, stored and downloaded for use by individuals without prior written approval of SKF. Under no circumstances may this information or software be supplied to third parties.

This website /app includes certain images used under license from Shutterstock, Inc.

Trademarks and Patents

All trademarks, brand names, and corporate logos displayed on the website / app are the property of SKF or its licensors, and may not be used in any way without prior written approval by SKF. All licensed trademarks published on this website / app reference the licensor that has granted SKF the right to use the trademark. Access to this website / app does not grant to the user any license under any patents owned by or licensed to SKF.

Changes

SKF reserves the right to make changes or additions to this website / app at any time.