

BMB-6208/080S2/UB008A

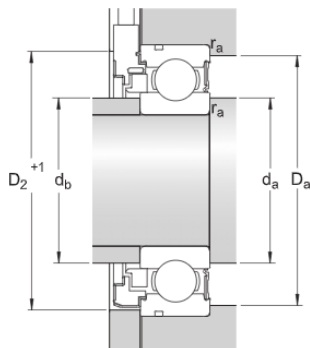
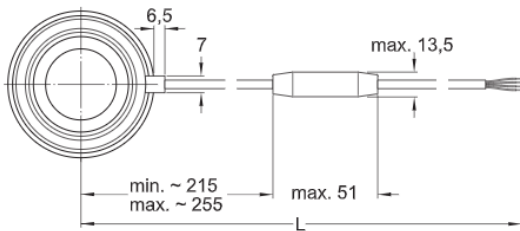
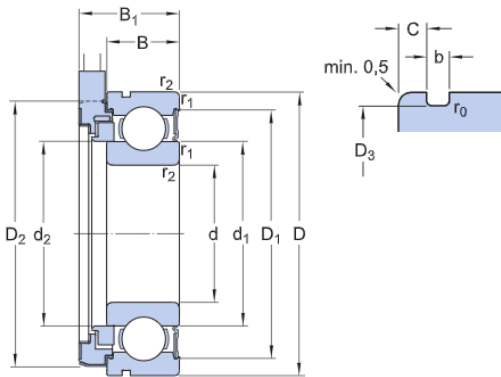
Motor encoder unit

Motor encoder units combine bearing and sensor functionality into a single, compact, robust and easy to install unit. They enable accurate and continuous monitoring of speed and direction of rotation.

- Compact
- Robust, accurate and reliable
- Simple and ready-to-mount



Technical Specification



Dimensions

d	1.575 in	Bore diameter
D	3.15 in	Outside diameter bearing
B ₁	0.953 in	Width sensor unit
B	0.709 in	Width bearing part
d ₁	≈ 2.071 in	Shoulder diameter inner ring
d ₂	1.89 in	Inner diameter sensor
D ₁	≈ 2.748 in	Recess diameter outer ring
D ₂	2.955 in	Outside diameter sensor
D ₃	3.024 in	Diameter snap ring groove outer ring
C	0.129 in	Distance outer ring side face - snap ring groove
b	0.075 in	Width groove outer ring
r ₀	0.024 in	Snap ring groove bottom radius
r _{1,2}	min. 0.043 in	Chamfer dimension
L	21.5 in	Cable length
	± 0.394 in	Tolerance for cable length L

Abutment dimensions

d _a	min. 1.831 in	Abutment diameter shaft
d _b	min. 1.831 in	Abutment diameter shaft/sleeve
d _b	max. 1.866 in	Abutment diameter shaft/sleeve
D _a	max. 2.894 in	Abutment diameter housing
r _a	max. 0.039 in	Fillet radius

Sensor technology

Cable connector type		Free cable end
Number of pulses per revolution	N	80
Period accuracy		± 5 %
Phase shift output signal		90 °
Phase shift output signal tolerance		± 30 °

Calculation data

Basic dynamic load rating	C	6 902 lbf
Basic static load rating	C ₀	4 271 lbf
Fatigue load limit	P _u	180 lbf
Limiting speed		5 600 r/min
Calculation factor	k _r	0.025
Calculation factor	f ₀	14

Mass

Mass sensor unit		0.988 lb
------------------	--	----------

Associated products

Snap ring		SP 80
-----------	--	-------

Terms and conditions

By accessing and using this website / app owned and published by AB SKF (publ.) (556007-3495 · Gothenburg) ("SKF"), you agree to the following terms and conditions:

Warranty Disclaimer and Limitation of Liability

Although every care has been taken to assure the accuracy of the information on this website / app, SKF provides this information "AS IS" and DISCLAIMS ALL WARRANTIES, EXPRESS OR IMPLIED, INCLUDING, BUT NOT LIMITED TO, IMPLIED WARRANTIES OF MERCHANTABILITY AND FITNESS FOR A PARTICULAR PURPOSE. You acknowledge that your use of this website / app is at your sole risk, that you assume full responsibility for all costs associated with use of this website / app, and that SKF shall not be liable for any direct, incidental, consequential, or indirect damages of any kind arising out of your access to, or use of the information or software made available on this website / app. Any warranties and representations in this website / app for SKF products or services that you purchase or use will be subject to the agreed upon terms and conditions in the contract for such product or service. Further, for non-SKF websites / apps that are referenced in our website / app or where a hyperlink appears, SKF makes no warranties concerning the accuracy or reliability of the information in these websites / apps and assumes no responsibility for material created or published by third parties contained therein. In addition, SKF does not warrant that this website / app or these other linked websites / apps are free from viruses or other harmful elements.

Copyright

Copyright in this website / app copyright of the information and software made available on this website / app rest with SKF or its licensors. All rights are reserved. All licensed material will reference the licensor that has granted SKF the right to use the material. The information and software made available on this website / app may not be reproduced, duplicated, copied, transferred, distributed, stored, modified, downloaded or otherwise exploited for any commercial use without the prior written approval of SKF. However, it may be reproduced, stored and downloaded for use by individuals without prior written approval of SKF. Under no circumstances may this information or software be supplied to third parties. This website /app includes certain images used under license from Shutterstock, Inc.

Trademarks and Patents

All trademarks, brand names, and corporate logos displayed on the website / app are the property of SKF or its licensors, and may not be used in any way without prior written approval by SKF. All licensed trademarks published on this website / app reference the licensor that has granted SKF the right to use the trademark. Access to this website / app does not grant to the user any license under any patents owned by or licensed to SKF.

Changes

SKF reserves the right to make changes or additions to this website / app at any time.