



## Datasheet

# RS PRO High-Performance HMI. 10.2 inch, 1024x600 TFT LCD. 16k Colours. Ethernet.

Stock No: 215-6606



## Technical Specifications:

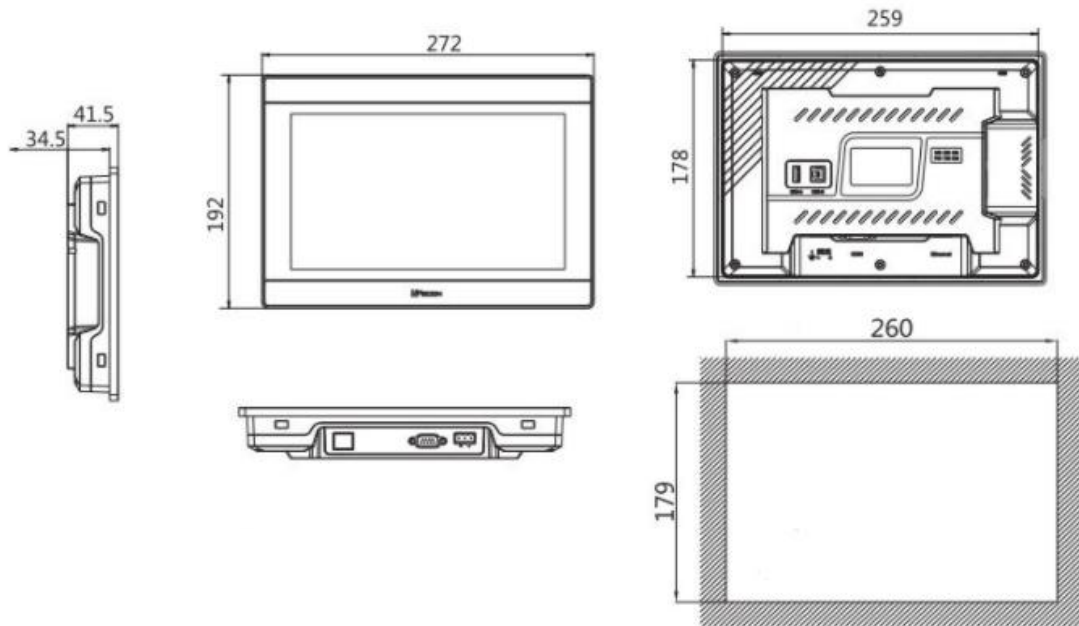
Hardware:	Cortex A7 528MHz CPU 128M DDRIII RAM + 128M Flash
Resolution:	1024x600 TFT LCD 16,000 Colours
Storage:	Support Data Storage U Disk
Interface:	COM 1:RS485/RS422. COM2 RS232, Ethernet USB Host + USB Client. Type A & B
Dimensions:	Bezel; 272.0 x 192.0 x 41.5 Cut-out; 260.0 x 179.0.

## Features & Benefits:

- Cortex A7 CPU
- Ethernet
- High Grade picture quality
- Fast screen update & switching
- High Communication stability

## Dimensional line drawings

Unit: mm, error range +/-0/5mm



## Quality Standards

CE  
RoHS

# General

Model			
General	Screen Size	10.2 Inch	
	Resolution	1204*800	
	Colors	16,000k colors	
	Brightness	350cd/m <sup>2</sup>	
	Backlight Type	LED	
	Touch Screen	High precision four-wire resistive	
	Backlight Life Time	50,000 hours	
	CPU	Cortex A7 528MHz	
	Storage	128M FLASH + 128M DDRAM	
	USB Port	USB host + USB Client	
	Ethernet Port	YES	
	COM	COM1	RS422/RS485
		COM2	RS232
Power	Power	<10w	
	Power Supply	DC 24V ( 12~28V DC )	
Dimension	Shell	PC+ABS8	
	Dimension (mm)	272.0W*192.0H*41.5D	
	Mounting size (mm)	260.0W*179.0H	
	Net/Gross (KG)	1.00/1.31	
Operate Environment	Temperature	Working Temperature : -10~80°C ; Storage Temperature : -20~70°C	
	Humidity	10-85%RH (Non-condensing)	
	Seismic Resistance		IEC61131-2 standard
			Continuous vibration occasion: 10Hz~57Hz 0.07 5mm, 57Hz~150Hz 9.8m/s <sup>2</sup>
	Cooling	Discontinuous vibration: 10Hz~57Hz 0.035mm, 57Hz~150Hz 4.9m/s <sup>2</sup> X, Y, Z in 10 directions each (80 minutes)	
Protection		Air cooling	
Protection		IP65 ( Front panel )	
CE		CE Marked	
FCC		FCC Class A	

# HMI Editor Programming Software

## User Manual Download Link:

<https://docs.rs-online.com/ca7f/A700000008222006.pdf>

Use this cross-reference table as necessary to select the correct manufacturer's part number for your project

RS Stock number to MPN cross-reference	
RS Stock Number	Manufacturer Part Number
221-3481	PI 3043ie-N-RS
215-6607	PI 3070ig-RS
215-6604	PI 3070i-RS
215-6605	PI 3070ig-O-RS
215-6606	PI 3102i-RS
250-8924	PI3035ie-RS
250-8925	PI3043ie-RS
250-8926	PI3070i-A-RS
250-8927	PI3102i-A-RS
250-8928	PI3102ig-RS
250-8929	PI8150ig-RS