

SAF 515

Split plummer (pillow) block housing without bearing



SAF split plummer (pillow) block housings have a two-piece, cast metal construction with inch dimensions. These housings have been developed to be the best choice for design, quality, robustness, and cost efficiency. SAF housings, when used with SKF bearings, seals and related components, provide a tailored solution to achieve maximum service life and reduce maintenance requirements for rotating equipment.

- Robust design
- Customizable configurations
- Suitable for tough operating conditions
- Cost-effective bearing solution

Overview

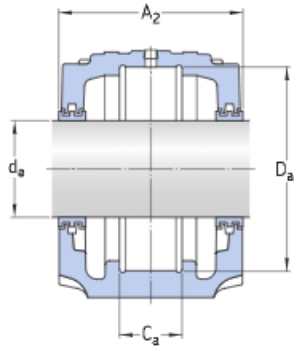
Dimensions

Attachment bolt diameter	0.625 in
Centre height (pillow block)	3.25 in
Seating diameter	5.118 in

Properties

Bearing housing seal type	Labyrinth seal
Housing configuration	Two-piece
Housing lubrication feature/possibility	Grease/Oil
Housing type	Pillow block
Material, housing	Cast iron
Mounting arrangement	Through shaft/Shaft end
Number of bolt holes for fasteners	2

Technical Specification



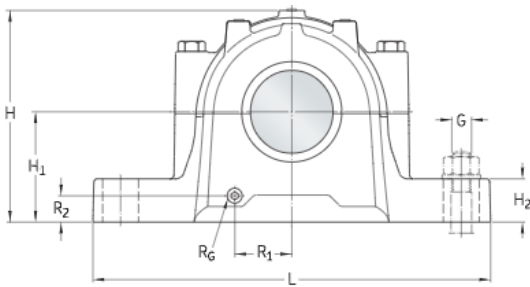
Dimensions

Shaft

d _a	2.438 in	Shaft diameter
----------------	----------	----------------

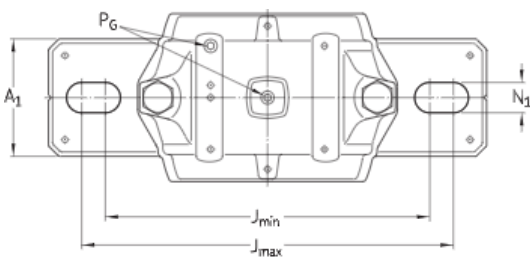
Bearing seat

D _a	5.118 in	Diameter of bearing seat
G7		Tolerance class of bearing seat diameter
C _a	1.457 in	Width of bearing seat
H ₁	3.25 in	Centre height



Outside dimensions

A ₁	3.125 in	Foot width
A ₂	4.688 in	Overall width
H	6.203 in	Overall height
H ₂	1.125 in	Foot height
J	min. 8.625 in	Distance between attachment bolts
J	max. 9.625 in	Distance between attachment bolts
L	11.25 in	Overall length
N ₁	0.75 in	Width of attachment bolt hole

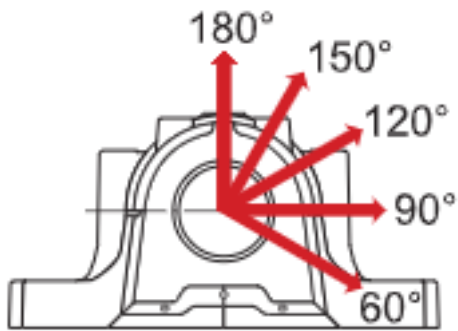


Threaded holes

R ₁	1.813 in	Distance of drain plug from centre
R ₂	0.844 in	Height of drain plug position
R _G	1/4-18 NPT	Thread of drain hole
P _G	1/8-27 NPT	Thread of grease fitting in cap

Recommended safe loads

P _{6l}	17 000 lbf	Safe load at 60° load angle
-----------------	------------	-----------------------------



P_{90}	10 200 lbf	Safe load at 90° load angle
P_{120}	6 300 lbf	Safe load at 120° load angle
P_{150}	5 700 lbf	Safe load at 150° load angle
P_{180}	6 800 lbf	Safe load at 180° load angle
P_a	4 420 lbf	Safe load, axial

Materials

Housing material	Cast iron
Corrosion protection	Paint - in accordance with ISO 12944-2, corrosivity category C2

Mass

Mass housing	22 lb
--------------	-------

Mounting information

Cap bolt	1/2-13 UNC x 3
Number of cap bolts	2
SAE grade of cap bolt	5
Recommended tightening torque for cap bolts	720 lbf-in
Recommended diameter for attachment bolts	G 0.625 in
Width of included locating ring	0.233 in

Included products

Seal	2 x LOR 37
Locating ring	SR-15-0

Associated products

End cover

EPR 7

PosiTrac Plus contact element

B 10724-37

Terms and conditions

By accessing and using this website / app owned and published by AB SKF (publ.) (556007-3495 · Gothenburg) ("SKF"), you agree to the following terms and conditions:

Warranty Disclaimer and Limitation of Liability

Although every care has been taken to assure the accuracy of the information on this website / app, SKF provides this information "AS IS" and DISCLAIMS ALL WARRANTIES, EXPRESS OR IMPLIED, INCLUDING, BUT NOT LIMITED TO, IMPLIED WARRANTIES OF MERCHANTABILITY AND FITNESS FOR A PARTICULAR PURPOSE. You acknowledge that your use of this website / app is at your sole risk, that you assume full responsibility for all costs associated with use of this website / app, and that SKF shall not be liable for any direct, incidental, consequential, or indirect damages of any kind arising out of your access to, or use of the information or software made available on this website / app. Any warranties and representations in this website / app for SKF products or services that you purchase or use will be subject to the agreed upon terms and conditions in the contract for such product or service. Further, for non-SKF websites / apps that are referenced in our website / app or where a hyperlink appears, SKF makes no warranties concerning the accuracy or reliability of the information in these websites / apps and assumes no responsibility for material created or published by third parties contained therein. In addition, SKF does not warrant that this website / app or these other linked websites / apps are free from viruses or other harmful elements.

Copyright

Copyright in this website / app copyright of the information and software made available on this website / app rest with SKF or its licensors. All rights are reserved. All licensed material will reference the licensor that has granted SKF the right to use the material. The information and software made available on this website / app may not be reproduced, duplicated, copied, transferred, distributed, stored, modified, downloaded or otherwise exploited for any commercial use without the prior written approval of SKF. However, it may be reproduced, stored and downloaded for use by individuals without prior written approval of SKF. Under no circumstances may this information or software be supplied to third parties.

This website /app includes certain images used under license from Shutterstock, Inc.

Trademarks and Patents

All trademarks, brand names, and corporate logos displayed on the website / app are the property of SKF or its licensors, and may not be used in any way without prior written approval by SKF. All licensed trademarks published on this website / app reference the licensor that has granted SKF the right to use the trademark. Access to this website / app does not grant to the user any license under any patents owned by or licensed to SKF.

Changes

SKF reserves the right to make changes or additions to this website / app at any time.