

E

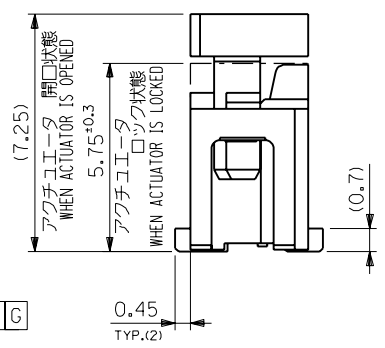
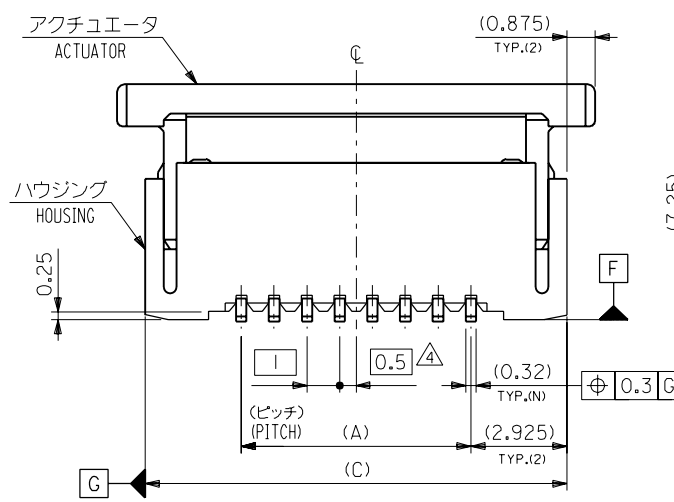
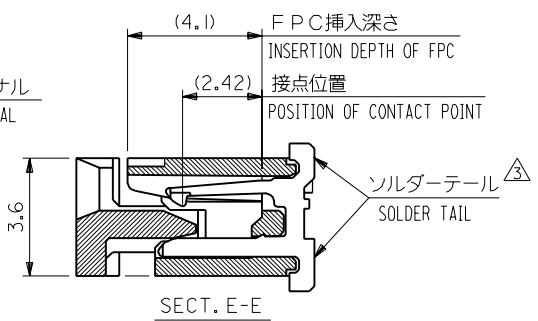
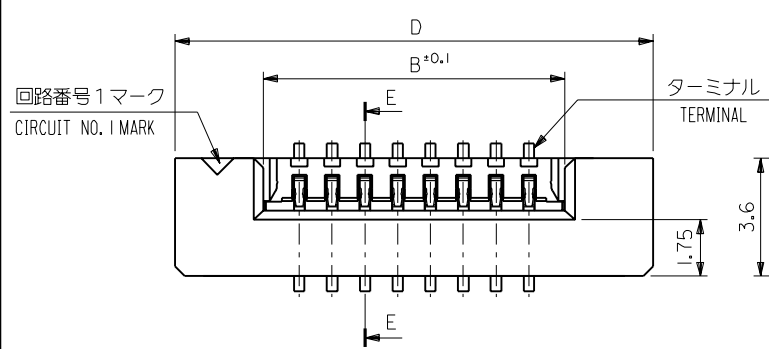
D

C

B

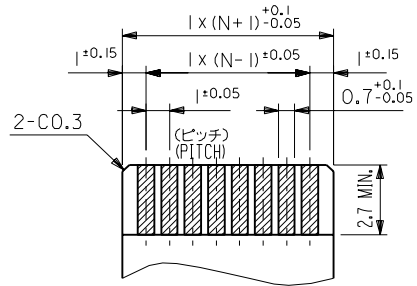
A

MM DIMENSIONS IN METRIC DO NOT SCALE DRAWING

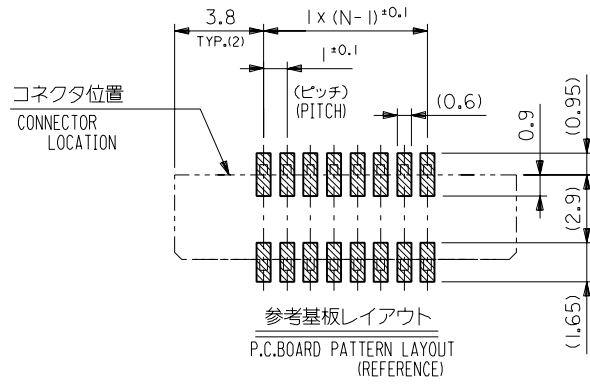


- 注記(NOTES):
- 材料(MATERIAL)
 ハウジング(HOUSING): 46NYLON , UL94V-0
 アクチュエータ(ACTUATOR): PPS , UL94V-0
 ターミナル(TERMINAL): リン青銅、錫メッキ (t O. 32) PHOS-BRO. TIN-PLATED
 - エンボステープ梱包時は、アクチュエータがロックした状態とする。
 IN THE PACKAGE , ACTUATOR OF PART NO. 52610-**-17 SHOULD BE LOCKED.
- △ ソルダーテール半田付け面のズレ量は、基準面 [F] に対し上方向 0.05 MAX.、下方向 0.15 MAX. とする。
 MISALIGNMENT OF SOLDER TAILS FROM [F] UPPER DIRECTION : 0.05 MAX. , LOWER DIRECTION : 0.15 MAX.
- △ 偶数極に適用。
 APPLY FOR EVEN CIRCUIT.

				材料 MATERIAL		注記参照 SEE NOTES		MOLEX-JAPAN CO.,LTD. 日本モレックス株式会社	
				仕上げ FINISH		— # —		REVISE ONLY ON CAD SYSTEM	
				適用電線範囲 WIRE RANGE		— # —		TITLE 名称	
				被覆外径 INS. RANGE		— # —		I.O FPC CONNECTOR Z.I.F. FOR SMT. (ST.)	
				DRAWN BY '92/12/9 Y.MIZUNO		CHK'D BY '93/3/25 H.II		DWG. NO. SHEET 1 OF 2 REV	
				APP'D BY '93/3/25 M.FUKUSHIMA		尺 度 SCALE — # —		SD-52610-**-17 A	
角度 ANGLE		±3°		記号 LTR		変更内容 REVISION RECORD		DR. 日付 DATE	
30 以上 OVER		+0.3		A 変更 (J30284)		Y.M H.II '93/3/25			
10 以上 30 未満 UNDER		+0.25		O 新規作成 (J21144)		Y.M H.II '92/12/9			
10 未満 UNDER		+0.2		一般公差					
GENERAL TOLERANCES									



適合FPC推奨寸法
APPLICABLE FPC RECOMMENDED DIM.
仕上がり厚さ(THICKNESS): 0.3 ± 0.05



参考基板レイアウト
P.C.BOARD PATTERN LAYOUT
(REFERENCE)

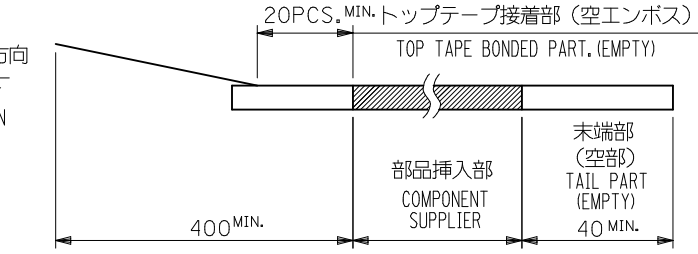
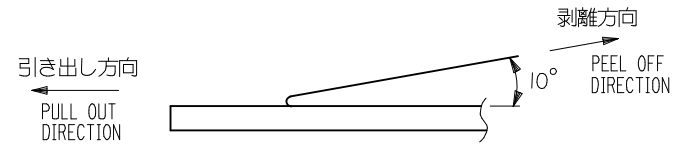
36.6	34.85	31.2	29	52610-3017	30
35.6	33.85	30.2	28	-2917	29
34.6	32.85	29.2	27	-2817	28
33.6	31.85	28.2	26	-2717	27
32.6	30.85	27.2	25	-2617	26
31.6	29.85	26.2	24	-2517	25
30.6	28.85	25.2	23	-2417	24
29.6	27.85	24.2	22	-2317	23
28.6	26.85	23.2	21	-2217	22
27.6	25.85	22.2	20	-2117	21
26.6	24.85	21.2	19	-2017	20
25.6	23.85	20.2	18	-1917	19
24.6	22.85	19.2	17	-1817	18
23.6	21.85	18.2	16	-1717	17
22.6	20.85	17.2	15	-1617	16
21.6	19.85	16.2	14	-1517	15
20.6	18.85	15.2	13	-1417	14
19.6	17.85	14.2	12	-1317	13
18.6	16.85	13.2	11	-1217	12
17.6	15.85	12.2	10	-1117	11
16.6	14.85	11.2	9	-1017	10
15.6	13.85	10.2	8	-0917	9
14.6	12.85	9.2	7	-0817	8
13.6	11.85	8.2	6	-0717	7
12.6	10.85	7.2	5	52610-0617	6
D	(C)	B	(A)	ENG. NO.	CKT.

角度 ANGLE		±3°							
30以上 OVER		+0.3							
10以上 30未満 UNDER		+0.25	A	変更 (J30284)	Y.M.	H.I.	'93/3/25		
10未満 UNDER		+0.2	O	新規作成 (J21144)	Y.M.	H.I.	'92/12/9		
一般公差 GENERAL TOLERANCES			記号 LTR	変更内容 REVISION RECORD	DR. CHK.	日付 DATE			

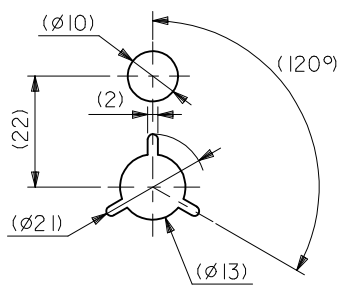
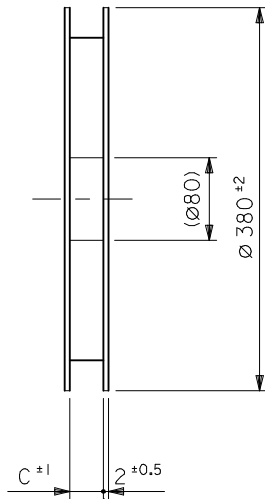
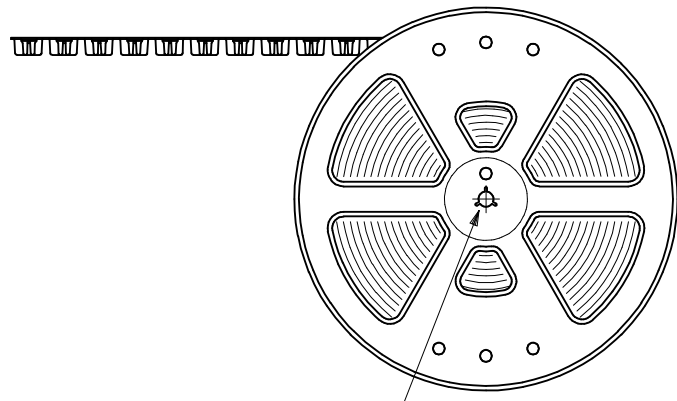
材料 MATERIAL	注記参照 SEE NOTES
仕上げ FINISH	— # —
適用電線範囲 WIRE RANGE	— # —
被覆外径 INS. RANGE	— # —
DRAWN BY '92/12/9 Y.MIZUNO	CHK'D BY '93/3/25 H.I.
APP'D BY '93/3/25 M.FUKUSHIMA	尺度 SCALE — # —

molex MOLEX-JAPAN CO.,LTD. 日本モレックス株式会社	
REVISE ONLY ON CAD SYSTEM	
TITLE 名称 I.O FPC CONNECTOR Z.I.F. FOR SMT. (ST.)	
DWG. NO. SD-52610-**-17	SHEET 2 OF 2 REV A

NOTES

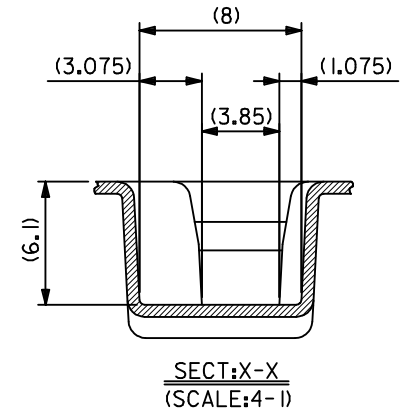
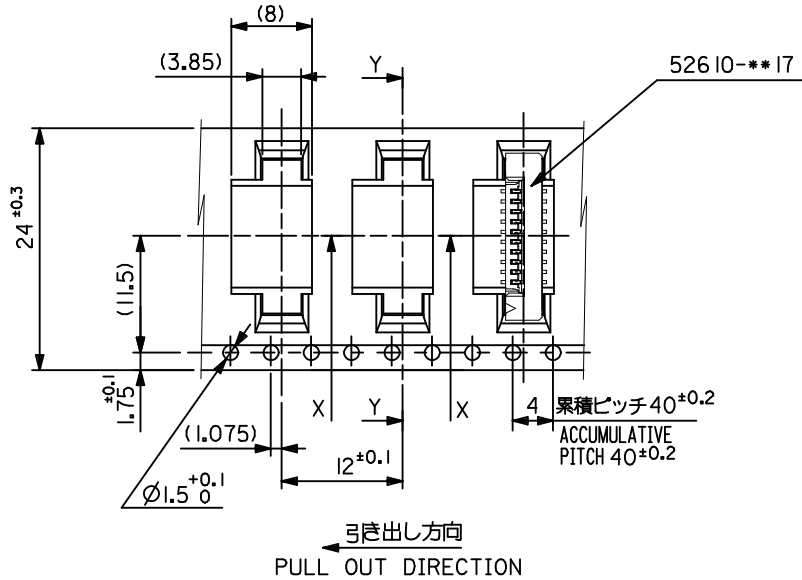
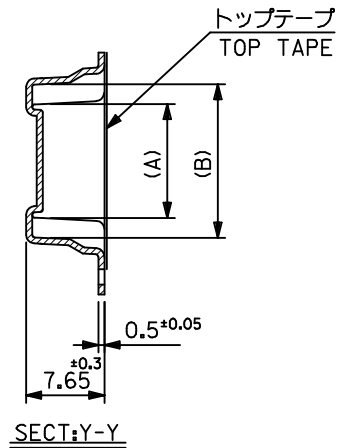
- 梱包数量：1000個/リール
NUMBER OF CONNECTORS : 1000PCS/REEL
- リードテープ長さ LEAD TAPE LENGTH

- トップテープの剥離強度：0.1N ~ 0.7N(10.2gf ~ 71.4gf)
(剥離方向は下図参照)
尚、本規格値は出荷時に適用。(但し、輸送時に剥離が発生しないこと。)
PEELING OFF FORCE OF TOP TAPE : 0.1N ~ 0.7N(10.2gf ~ 71.4gf)
(PEELING DIRECTION AS SHOWN IN FOLLOWING FIG,)
THIS REQUIREMENT SHOULD BE APPLIED AT SHIPMENT.
PEEL OFF SHOULD NOT BE ALLOWED , DURING TRANSPORTATION.

- 52610-**-17のアクチュエータはハウジング内に押し下げた状態とする。
詳細寸法については図面 SD-52610-**-17 を参照下さい。
ACTUATOR OF PART NO. 52610-**-17 SHULD BE LOCKED.
RE DETAILED DIMENSIONS , SEE SD-52610-**-17
- 材料(MATERIAL)
キャリアテープ(CARRIER TAPE)：ポリプロピレン(POLYPROPYLENE)
トップテープ(TOPTAPE)：PET , PE , PEF
リール(REEL)：ポリスチレン (PS) <リサイクル材を含む>
POLYSTYREN(PS) <RECYCLE MATERIAL CONTAINED>

引き出し方向
PULL OUT DIRECTION



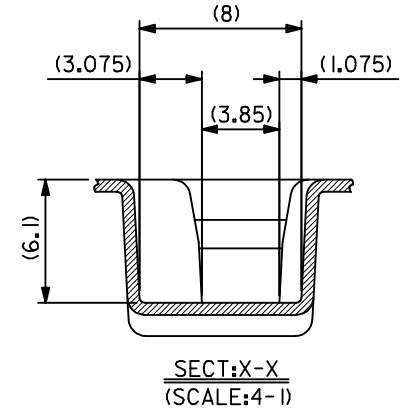
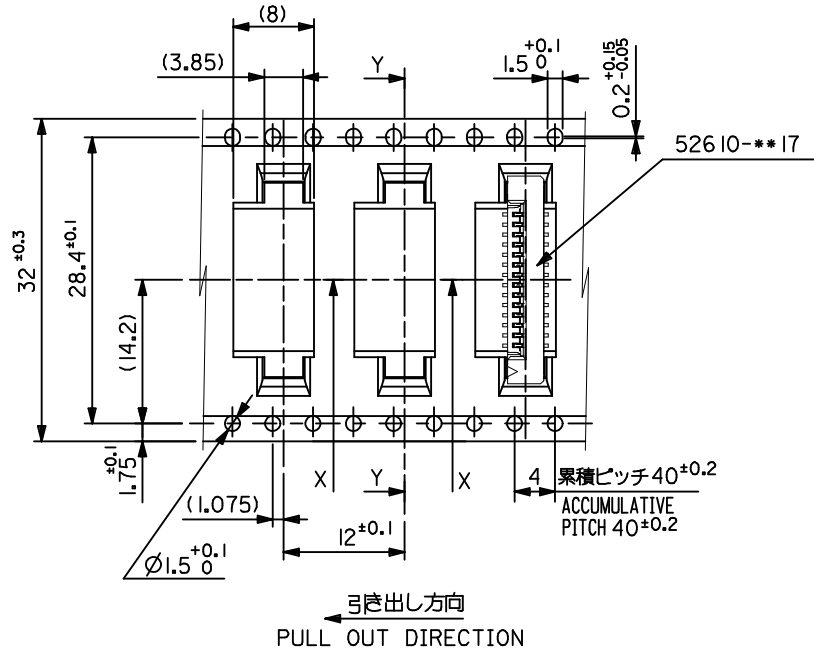
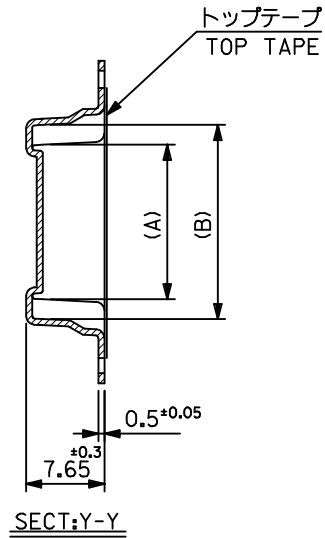
DETAIL "F"

REVISED EC NO: J2013-1418 DRWN:MTAKAHASHI 04.2013/06/03 CHKD:KTAKAHASHI 2013/06/03 APPR:YNOGAWA 2013/07/30	GENERAL TOLERANCES (UNLESS SPECIFIED)		DIMENSION STYLE MM ONLY		SCALE ---	DESIGN UNITS METRIC	THIRD ANGLE PROJECTION	
	10 UNDER	±0.2	DRAWN BY MTAKAHASHI 04	DATE 2013/06/03	TITLE			
	10 OVER 30 UNDER	±0.25	CHECKED BY KTAKAHASHI	DATE 2013/06/03	1.0 FPC CONN SMT ZIF EMBSTP PKG SHEET 1 OF 5 molex			
	30 OVER	±0.3	APPROVED BY YNOGAWA	DATE 2013/07/30				
	ANGULAR ±3 °		MATERIAL NO. SEE CHART		DOCUMENT NO. SD-52610-052		SHEET NO. 1 OF 5	
DRAFT WHERE APPLICABLE MUST REMAIN WITHIN DIMENSIONS		THIS DRAWING CONTAINS INFORMATION THAT IS PROPRIETARY TO MOLEX INCORPORATED AND SHOULD NOT BE USED WITHOUT WRITTEN PERMISSION						



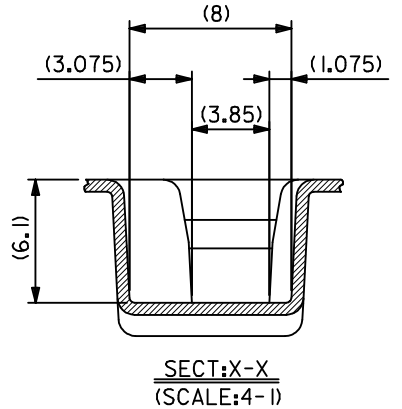
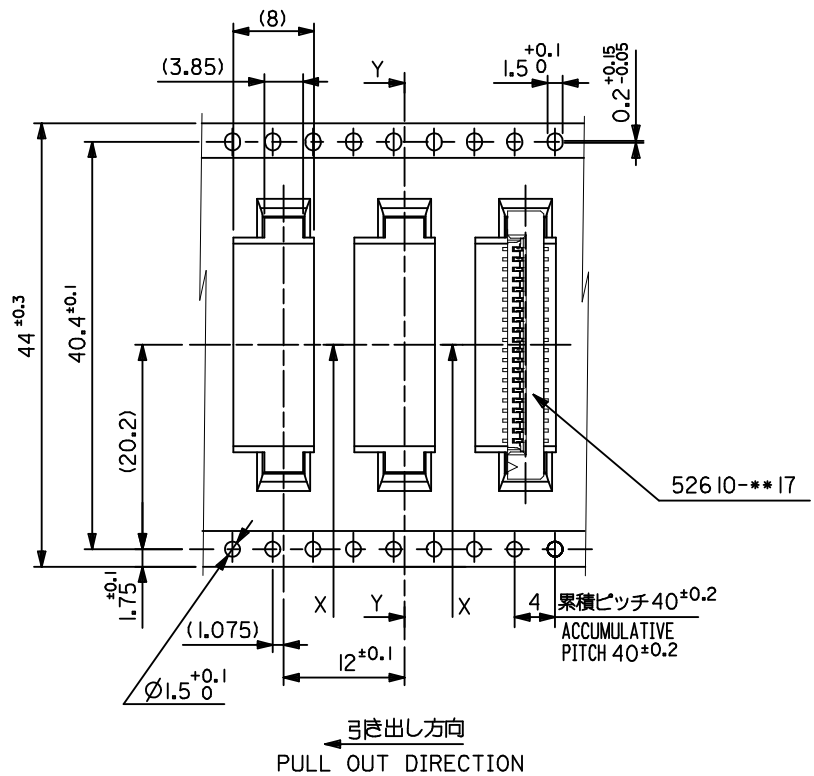
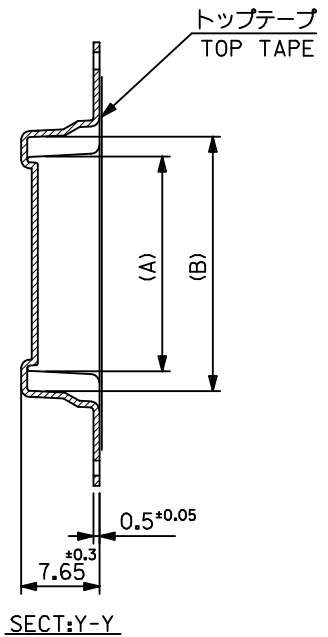
24	25.5	15.25	11.32	52610-1090	10
		13.25	9.32	52610-0890	8
		12.25	8.32	52610-0790	7
		11.25	7.32	52610-0690	6
キャリアテープ幅 CARRIER TAPE WIDTH	C	(B)	(A)	ENG. NO.	極数 CKT.

REVISED EC NO: J2013-1418 DRWN:MTAKAHASHI 04/2013/06/03 CH'KD:KATAHASHI 2013/06/03 APPR:YNOGAWA 2013/07/30	DESCRIPTION	GENERAL TOLERANCES (UNLESS SPECIFIED)	DIMENSION STYLE	SCALE	DESIGN UNITS	THIRD ANGLE PROJECTION	
	REV	10 UNDER ±0.2	MM ONLY	---	METRIC	☉	
		10 OVER 30 UNDER ±0.25	DRAWN BY DATE	TITLE			
		30 OVER ±0.3	CHECKED BY DATE	1.0 FPC CONN SMT ZIF EMBSTP PKG SHEET 2 OF 5			
		ANGULAR ±3 °	APPROVED BY DATE	molex			
	DRAFT WHERE APPLICABLE MUST REMAIN WITHIN DIMENSIONS	MATERIAL NO.	SEE CHART	DOCUMENT NO.	SD-52610-052	SHEET NO. 2 OF 5	
		SIZE	THIS DRAWING CONTAINS INFORMATION THAT IS PROPRIETARY TO MOLEX INCORPORATED AND SHOULD NOT BE USED WITHOUT WRITTEN PERMISSION				



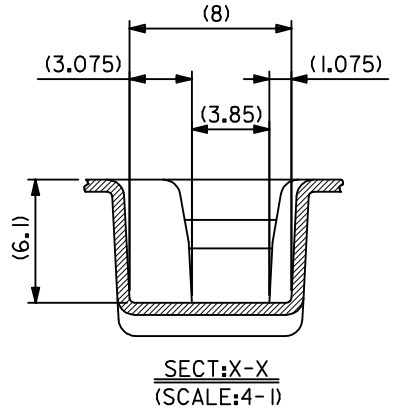
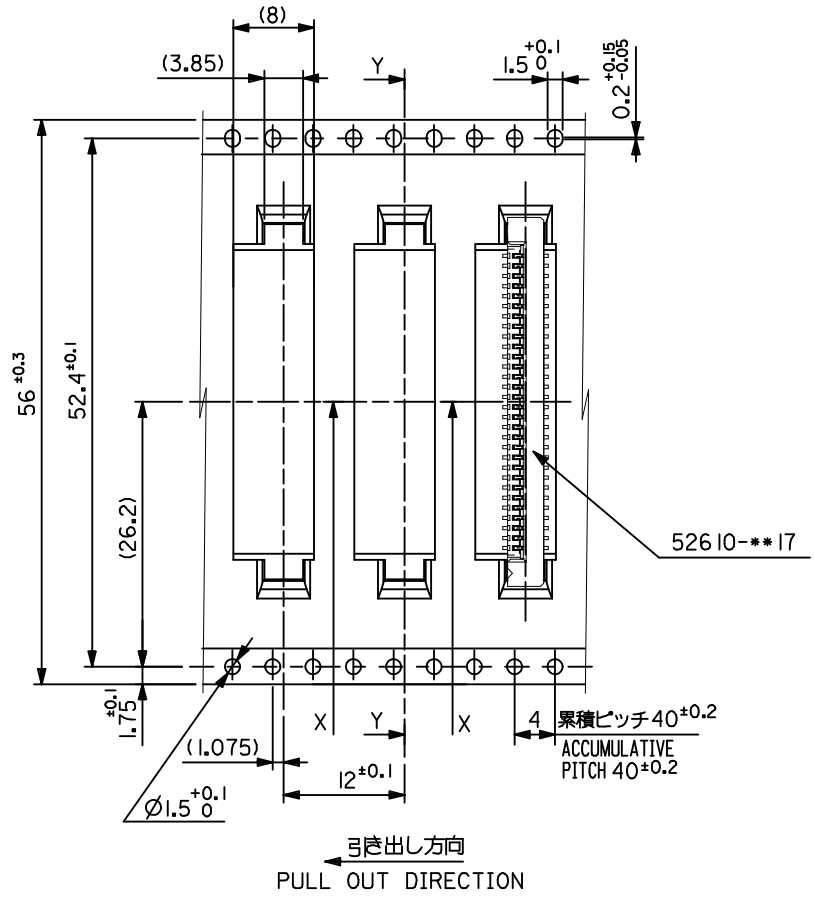
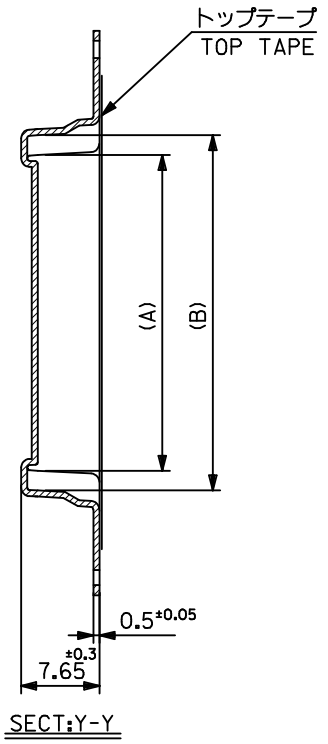
32	33.5	20.25	16.32	52610-1590	15
		19.25	15.32	52610-1490	14
キャリアテープ幅 CARRIER TAPE WIDTH	C	(B)	(A)	ENG. NO.	極数 CKT.

REVISED EC NO: J2013-1418 DRWN:MTAKAHASHI 04 2013/06/03 CHKD:KTAHAKASHI 2013/06/03 APPR:YNOGAWA 2013/07/30	GENERAL TOLERANCES (UNLESS SPECIFIED)		DIMENSION STYLE MM ONLY		SCALE ---	DESIGN UNITS METRIC	THIRD ANGLE PROJECTION
	10 UNDER	±0.2	DRAWN BY MTAKAHASHI 04	DATE 2013/06/03	TITLE 1.0 FPC CONN SMT ZIF EMBSTP PKG SHEET 3 OF 5		
	10 OVER 30 UNDER	±0.25	CHECKED BY KTAHAKASHI	DATE 2013/06/03			
	30 OVER	±0.3	APPROVED BY YNOGAWA	DATE 2013/07/30			
0	ANGULAR ±3 ° DRAFT WHERE APPLICABLE MUST REMAIN WITHIN DIMENSIONS	MATERIAL NO. SEE CHART	DOCUMENT NO. SD-52610-052	SHEET NO. 3 OF 5			



44	45.5	28.25	24.32	52610-2390	23
		27.25	23.32	52610-2290	22
キャリアテープ幅 CARRIER TAPE WIDTH	C	(B)	(A)	ENG. NO.	種別 CKT.

REVISED EC NO: J2013-14/18 DRWN: MTAKAHASHI 04 2013/06/03 CHKD: KTAKAHASHI 2013/06/03 APPR: YNOGAWA 2013/07/30	GENERAL TOLERANCES (UNLESS SPECIFIED)		DIMENSION STYLE MM ONLY		SCALE ---	DESIGN UNITS METRIC		THIRD ANGLE PROJECTION		
	10 UNDER	±0.2	DRAWN BY MTAKAHASHI 04		DATE 2013/06/03		1.0 FPC CONN SMT ZIF EMBSTP PKG SHEET 4 OF 5 molex			
	10 OVER 30 UNDER	±0.25	CHECKED BY KTAKAHASHI		DATE 2013/06/03					
	30 OVER	±0.3	APPROVED BY YNOGAWA		DATE 2013/07/30					
ANGULAR ±3 °		MATERIAL NO. SEE CHART		DOCUMENT NO. SD-52610-052		SHEET NO. 4 OF 5				
DRAFT WHERE APPLICABLE MUST REMAIN WITHIN DIMENSIONS		THIS DRAWING CONTAINS INFORMATION THAT IS PROPRIETARY TO MOLEX INCORPORATED AND SHOULD NOT BE USED WITHOUT WRITTEN PERMISSION								



56	57.5	35.25	31.32	52610-3090	30
		33.25	29.32	52610-2890	28
キャリアテープ幅 CARRIER TAPE WIDTH	C	(B)	(A)	ENG. NO.	極数 CKT.

REVISED EC NO: J2013-14/18 DRWN: MTAKAHASHI 04 2013/06/03 CHKD: KTAKAHASHI 2013/06/03 APPR: YNOGAWA 2013/07/30	GENERAL TOLERANCES (UNLESS SPECIFIED)		DIMENSION STYLE MM ONLY		SCALE ---	DESIGN UNITS METRIC		THIRD ANGLE PROJECTION		
	10 UNDER	±0.2	DRAWN BY MTAKAHASHI 04		DATE 2013/06/03		TITLE 1.0 FPC CONN SMT ZIF EMBSTP PKG SHEET 5 OF 5			
	10 OVER 30 UNDER	±0.25	CHECKED BY KTAKAHASHI		DATE 2013/06/03		molex			
	30 OVER	±0.3	APPROVED BY YNOGAWA		DATE 2013/07/30					
ANGULAR ±3 °		MATERIAL NO. SEE CHART		DOCUMENT NO. SD-52610-052		SHEET NO. 5 OF 5				
DRAFT WHERE APPLICABLE MUST REMAIN WITHIN DIMENSIONS		THIS DRAWING CONTAINS INFORMATION THAT IS PROPRIETARY TO MOLEX INCORPORATED AND SHOULD NOT BE USED WITHOUT WRITTEN PERMISSION								