

Bearing assembly LAN

Fixed bearing with angular-contact thrust ball bearing LGN

Double-thrust

Series LGN-B-...

LGN-A-...

Double-thrust, in pairs,

Series LGN-C-...

The fixed bearing consists of:

- Angular-contact thrust ball bearing LGN
- Slotted nut NMA..., NMZ...

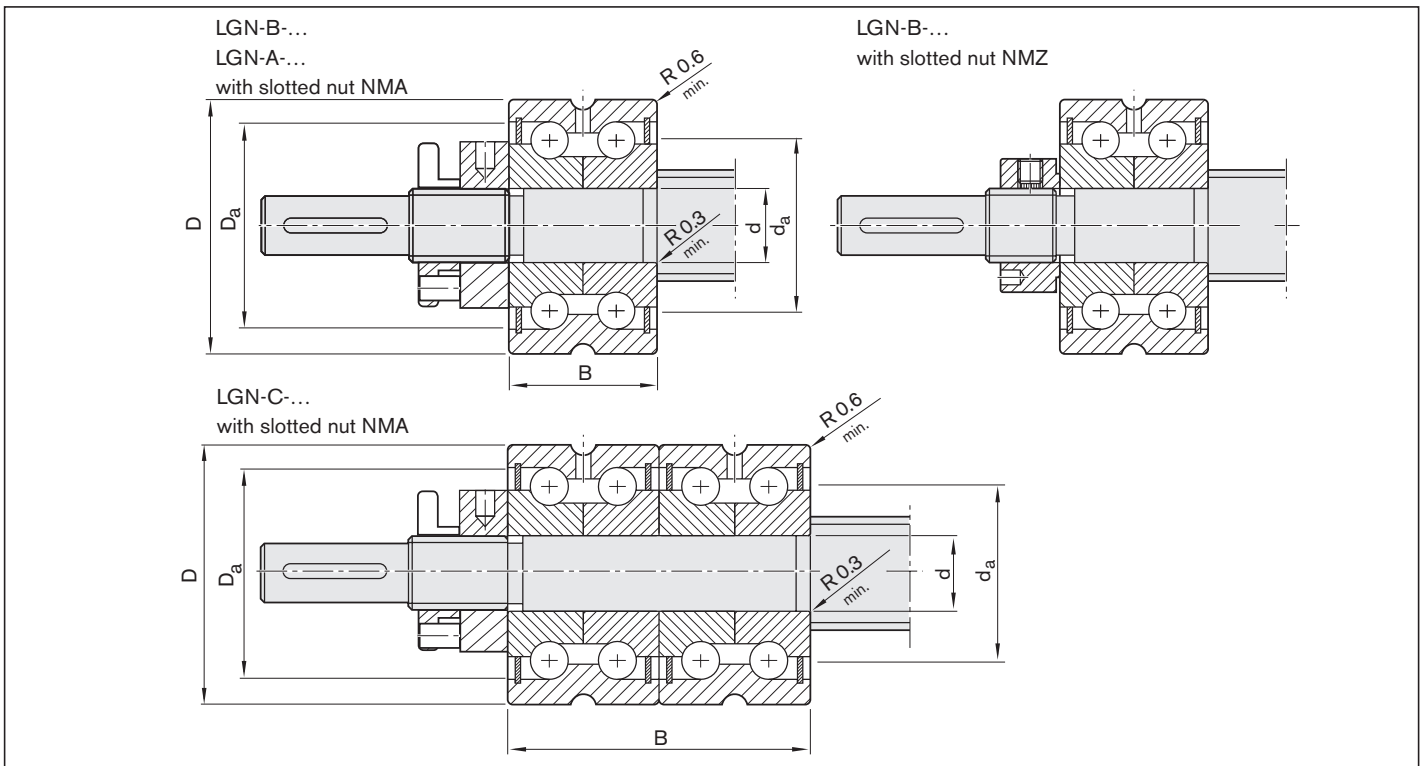
Separate technical dimensioning to determine the limit values is absolutely necessary for all attachments (e.g. pillow block units, bearing assembly, etc.)



Size	Module	Single parts				Weight complete
		Angular-contact thrust ball bearing		Slotted nut		
$d_0 \times P$	Part number	Abbreviation	Part number	Abbreviation	Part number	(kg)
6 x 1/2	R1590 106 00	LGN-B-0624	R3414 002 06	NMZ 6x0.5	R3446 001 04	0.040
8 x 1/2/2.5/5	R1590 106 00	LGN-B-0624	R3414 002 06	NMZ 6x0.5	R3446 001 04	0.040
12 x 2/5/10	R1590 106 00	LGN-B-0624	R3414 002 06	NMZ 6x0.5	R3446 001 04	0.040
16 x 5/10/16	R1590 110 00	LGN-B-1034	R3414 003 06	NMZ 10x1	R3446 002 04	0.110
20 x 5/10/20/40	R1590 112 00	LGN-B-1242	R3414 004 06	NMZ 12x1	R3446 003 04	0.215
	R1590 117 00			LGN-B-1747	R3414 005 06	NMZ 17x1
25 x 5/10/25	R1590 117 30			NMA 17x1	R3446 014 04	0.290
	R1590 120 00	LGN-B-2052	R3414 006 06	NMZ 20x1	R3446 005 04	0.345
R1590 120 30	NMA 20x1			R3446 015 04	0.440	
40 x 5	R1590 130 00	LGN-B-3062	R3414 007 06	NMZ 30x1.5	R3446 006 04	0.465
	R1590 130 30			NMA 30x1.5	R3446 016 04	0.590
40 x 10/12/16/20/25/30/40	R1590 225 30	LGN-C-2557	R3414 014 06	NMA 25x1.5	R3446 011 04	0.840
50 x 5	R1590 135 30	LGN-B-3572	R3414 022 06	NMA 35x1.5	R3446 012 04	0.740
50 x 10/12/16/20/25/30/40	R1590 230 30	LGN-C-3062	R3414 023 06	NMA 30x1.5	R3446 016 04	0.980
63 x 10/20/40	R1590 140 30	LGN-A-4090	R3414 024 06	NMA 40x1.5	R3446 018 04	1.250
80 x 10/20/40	R1590 150 30	LGN-A-50110	R3414 025 06	NMA 50x1.5	R3446 019 04	2.930

Size	Load ratings ¹⁾		Bearing friction torque with sealing disk	Rigidity (axial)	Rigidity against tilting	Limit speed (grease)
	dyn. C (N)	stat. C ₀ (N)				
6x1/2	6,900	8,500	0.04	200	8	6,800
8x1/2/2.5/5	6,900	8,500	0.04	200	8	6,800
12x2/5/10	6,900	8,500	0.04	200	8	6,800
16x5/10/16	13,400	18,800	0.12	325	25	4,600
20x5/10/20/40	17,000	24,700	0.16	375	50	3,800
25x5/10/25	18,800	31,000	0.24	450	80	3,300
32x5/10/20/32/64	26,000	47,000	0.30	650	140	3,000
40x5	29,000	64,000	0.50	850	300	2,200
40 x 10/12/16/20/25/30/40	44,500	111,000	0.60	1,300	450	2,600
50x5	41,000	89,000	0.60	900	400	2,000
50 x 10/12/16/20/25/30/40	47,500	127,000	0.75	1,500	620	2,200
63x10/20/40	72,000	149,000	1.30	1,200	750	1,600
80x10/20/40	113,000	250,000	2.60	1,400	1,500	1,200

1) See page 187 for load on bearing



Size	(mm)			Mounting dimensions (mm)				
	d	D	B	min	D _a max	min	d _a max	
d₀ x P								
6 x 1/2	6 ^{-0.010}	24 ^{-0.010}	15 ^{-0.25}	16	19	9	15	
8 x 1/2/2.5/5	6 ^{-0.010}	24 ^{-0.010}	15 ^{-0.25}	16	19	9	15	
12 x 2/5/10	6 ^{-0.010}	24 ^{-0.010}	15 ^{-0.25}	16	19	9	15	
16 x 5/10/16	10 ^{-0.010}	34 ^{-0.010}	20 ^{-0.25}	25	28	14	24	
20 x 5/10/20/40	12 ^{-0.010}	42 ^{-0.010}	25 ^{-0.25}	30	33	16	29	
25 x 5/10/25	17 ^{-0.010}	47 ^{-0.010}	25 ^{-0.25}	34	37	23	33	
32 x 5/10/20/32/64	20 ^{-0.010}	52 ^{-0.010}	28 ^{-0.25}	40	43	25	39	
40 x 5	30 ^{-0.010}	62 ^{-0.010}	28 ^{-0.25}	50	53	40	49	
40 x 10/12/16/20/25/30/40	25 ^{-0.005}	57 ^{-0.010}	56 ^{-0.05}	45	48	32	44	
50 x 5	35 ^{-0.010}	72 ^{-0.011}	34 ^{-0.25}	59	62	45	58	
50 x 10/12/16/20/25/30/40	30 ^{-0.005}	62 ^{-0.010}	56 ^{-0.50}	50	53	40	49	
63 x 10/20/40	40 ^{-0.005}	90 ^{-0.010}	46 ^{-0.25}	71	80	56	70	
80 x 10/20/40	50 ^{-0.005}	110 ^{-0.010}	54 ^{-0.25}	88	100	63	87	

Suitable for screw ends: Form

For screws 8 x 2.5: Form 831, 931
For screws 6 x 1; 6 x 2; 8 x 1; 8 x 2: Form 831

